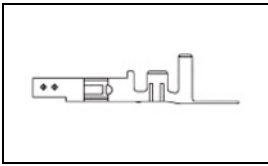


1586841-2 Product Details

[Share](#) [Print](#) [Email](#)



1586841-2

TE Internal Number: 1586841-2

Active

VAL-U-LOK Series Connector System

Always EU RoHS/ELV Compliant (Statement of Compliance)

Product Highlights:

- Wire-to-Board, Wire-to-Board / Wire-to-Wire, Wire-to-Wire
- Applies To Wire/Cable
- Contact
- Glow Wire Rating = Standard Part - Not Glow Wire
- Contact Type = Socket

[View all Features](#)

Quick Links

- ▶ [Pricing & Availability](#)
- ▶ [Search for Tooling](#)
- ▶ [Product Feature Selector](#)
- ▶ [Contact Us About This Product](#)

[Add to My Part List](#) [Request Sample](#) [Find Similar Products](#) [Buy Product](#)

Documentation & Additional Information	
<p>Product Drawings:</p> <ul style="list-style-type: none"> • TERMINAL VAL-U-LOK(TM) SOCKET (LOOSE PIECE) (PDF, English) <p>Catalog Pages/Data Sheets:</p> <ul style="list-style-type: none"> • SOFT_SHELL_PIN_AND_SOCKET_CONNECTORS_CATALOG (PDF, English) <p>Product Specifications:</p> <ul style="list-style-type: none"> • VAL-U-LOK Connectors (PDF, English) <p>Application Specifications:</p> <ul style="list-style-type: none"> • VAL-U-LOK Series Headers and Connectors (PDF, English) <p>Instruction Sheets:</p> <ul style="list-style-type: none"> • None Available <p>CAD Files:</p> <ul style="list-style-type: none"> • None Available 	<p>Related Products:</p> <ul style="list-style-type: none"> • Tooling

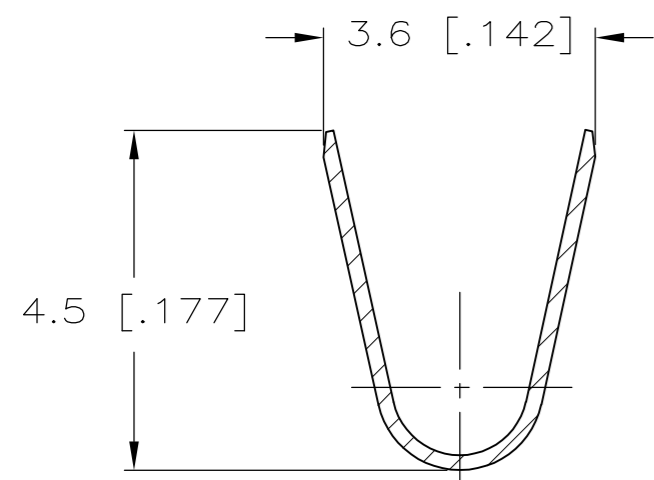
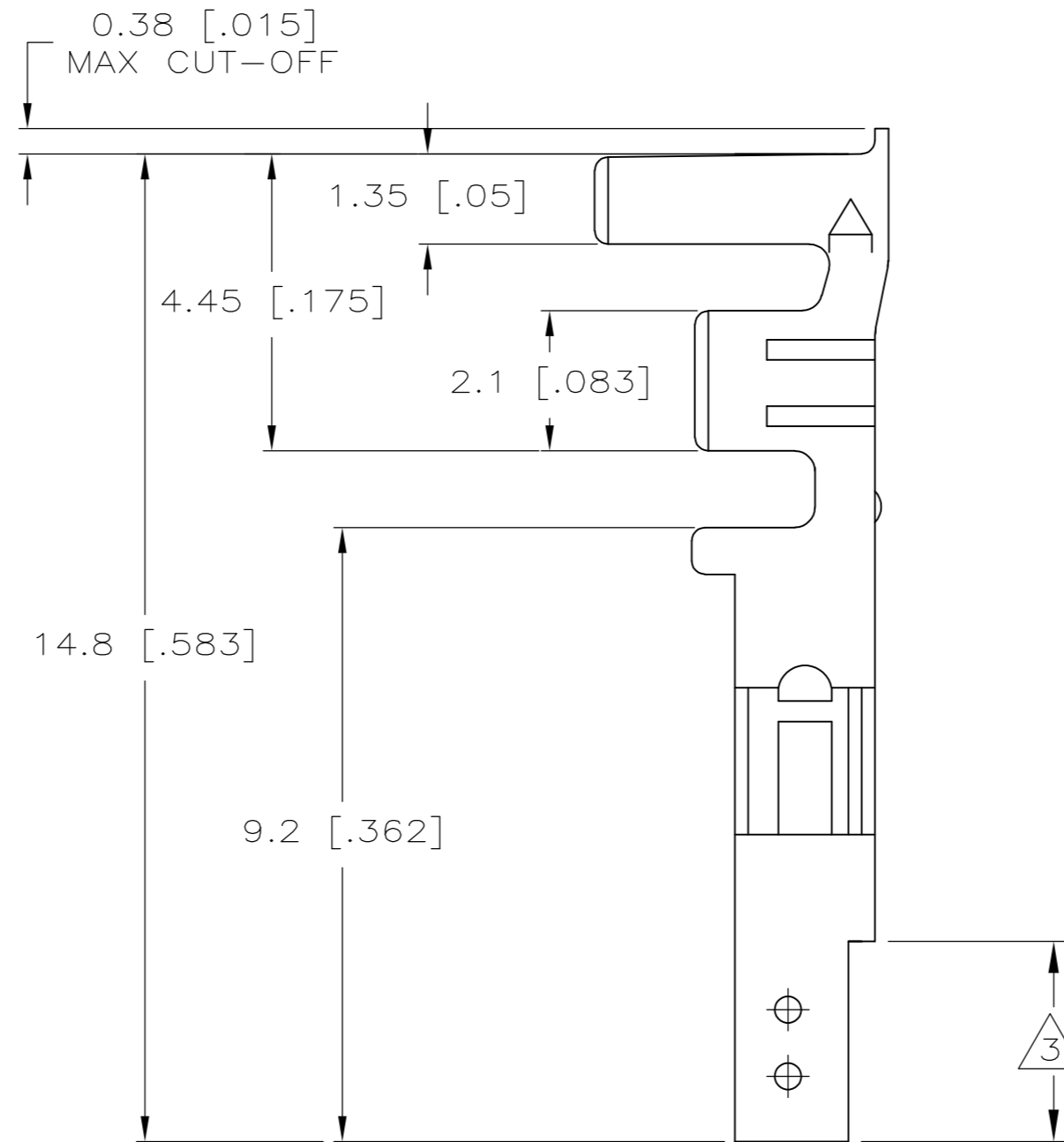
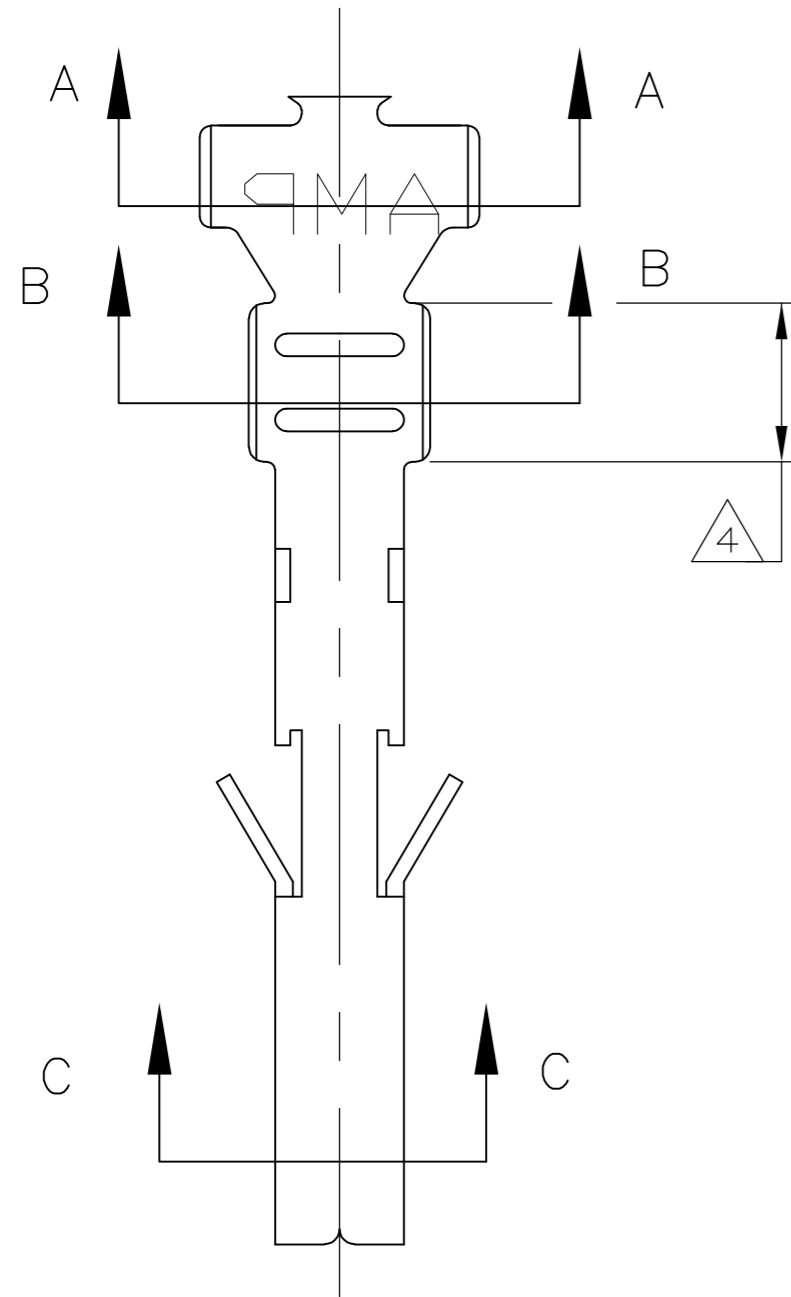
[List all Documents](#)

Product Features (Please use the Product Drawing for all design activity)	
<p>Product Type Features:</p> <ul style="list-style-type: none"> • Product Type = Contact • Termination Method to Wire/Cable = Crimp • Strain Relief = With • UL File Number = E28476 • CSA File Number = 208567 <p>Electrical Characteristics:</p> <ul style="list-style-type: none"> • Contact Current Rating, Max. (A) = 9 • Operating Voltage Reference = AC • Operating Voltage (VAC) = 600 <p>Termination Features:</p> <ul style="list-style-type: none"> • Wire/Cable Size (AWG) = 16 • Wire/Cable Size (mm²) = 1.25 - 1.4 <p>Dimensions:</p> <ul style="list-style-type: none"> • Length (X-Axis) (mm [in]) = 14.55 [0.573] <p>Body Features:</p> <ul style="list-style-type: none"> • Strain Relief Type = Insulation Crimp <p>Contact Features:</p> <ul style="list-style-type: none"> • Contact Type = Socket • Contact Base Material = Brass • Contact Plating, Mating Area, Material = Pre-Tin • Contact Plating, Mating Area, Thickness (µm [µin]) = 2.54 [100] • Contact Design = Single Beam 	<p>Industry Standards:</p> <ul style="list-style-type: none"> • RoHS/ELV Compliance = RoHS compliant, ELV compliant • Lead Free Solder Processes = Not relevant for lead free process • RoHS/ELV Compliance History = Always was RoHS compliant • Agency/Standard = UL, CSA • UL Rating = Recognized <p>Environmental:</p> <ul style="list-style-type: none"> • Operating Temperature (°C [°F]) = -40 - +105 [-40 - +221] <p>Conditions for Usage:</p> <ul style="list-style-type: none"> • Applies To = Wire/Cable • Glow Wire Rating = Standard Part - Not Glow Wire <p>Operation/Application:</p> <ul style="list-style-type: none"> • Application Use = Wire-to-Board, Wire-to-Board / Wire-to-Wire, Wire-to-Wire • Contact Transmits (Typical Application) = Signal (Data) <p>Packaging Features:</p> <ul style="list-style-type: none"> • Packaging Method = Loose Piece/Bulk <p>Other:</p> <ul style="list-style-type: none"> • Brand = TE Connectivity

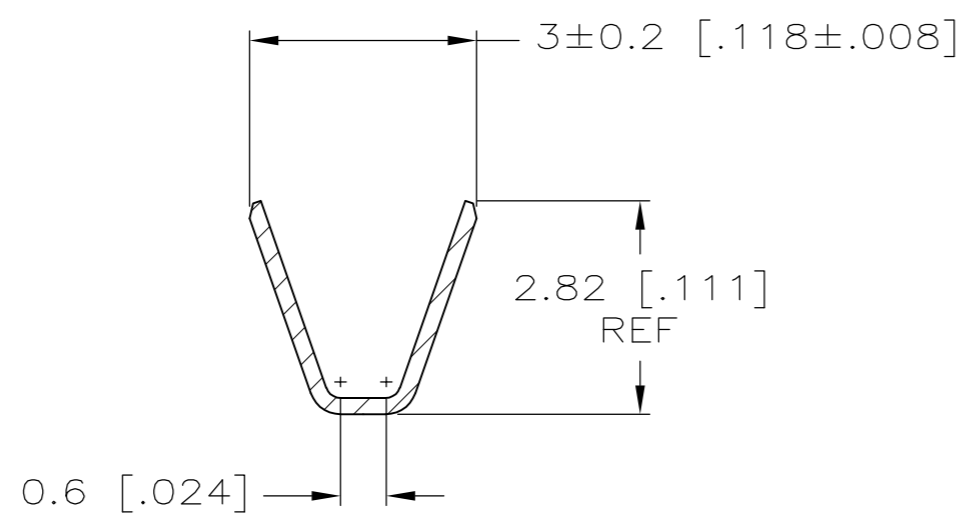
THIS DRAWING IS UNPUBLISHED. RELEASED FOR PUBLICATION
 © COPYRIGHT BY TYCO ELECTRONICS CORPORATION. ALL RIGHTS RESERVED.

LOC		DIST		REVISIONS			
P	LTR	DESCRIPTION	DATE	DWN	APVD		
B1		REVISED PER ECO-08-027061	05NOV08	HMR	CC		

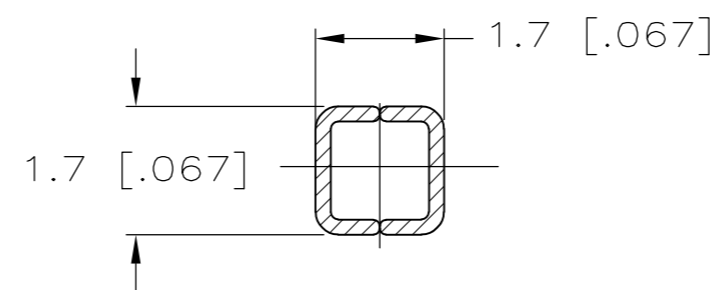
1. WIRE RANGE: 1.31mm² (16 AWG).
2. INSULATION RANGE 3.10 [.122] MAXIMUM DIAMETER
3. FINISH: 0.76µm MINIMUM GOLD OVER 1.27µm MINIMUM NICKEL REQUIRED ON INNER SURFACE, PERMITTED ON OUTER SURFACE.
4. FINISH: 2.54µm MINIMUM TIN ON ALL SURFACES IN THIS AREA.



SECTION A-A



SECTION B-B



SECTION C-C

METRIC

GOLD 3 4	PHOS. BRZ.	1586841-4
PRE-TIN	PHOS. BRZ.	1586841-3
GOLD 3 4	BRASS	1586841-2
PRE-TIN	BRASS	1586841-1
FINISH:	MATERIAL:	PART NO.

THIS DRAWING IS A CONTROLLED DOCUMENT.		DWN K. WHITAKER 04APR2007	Tyco Electronics Corporation Harrisburg, PA 17105-3608	
DIMENSIONS: mm [INCHES]		CHK C. CASH 04APR2007	NAME TERMINAL VAL-U-LOK(TM) SOCKET (LOOSE PIECE)	
TOLERANCES UNLESS OTHERWISE SPECIFIED: 0 PLC ± 1 PLC ± 0.2 [.01] 2 PLC ± 0.13 [.005] 3 PLC ± 0.254 [.0100] 4 PLC ± ANGLES ±		APVD C. CASH 04APR2007	APPLICATION SPEC	
MATERIAL		WEIGHT	SIZE A2	CAGE CODE 00779
FINISH		CUSTOMER DRAWING	SCALE 10:1	DRAWING NO. C=1586841
			SHEET 1 of 1	RESTRICTED TO -
			REV B1	