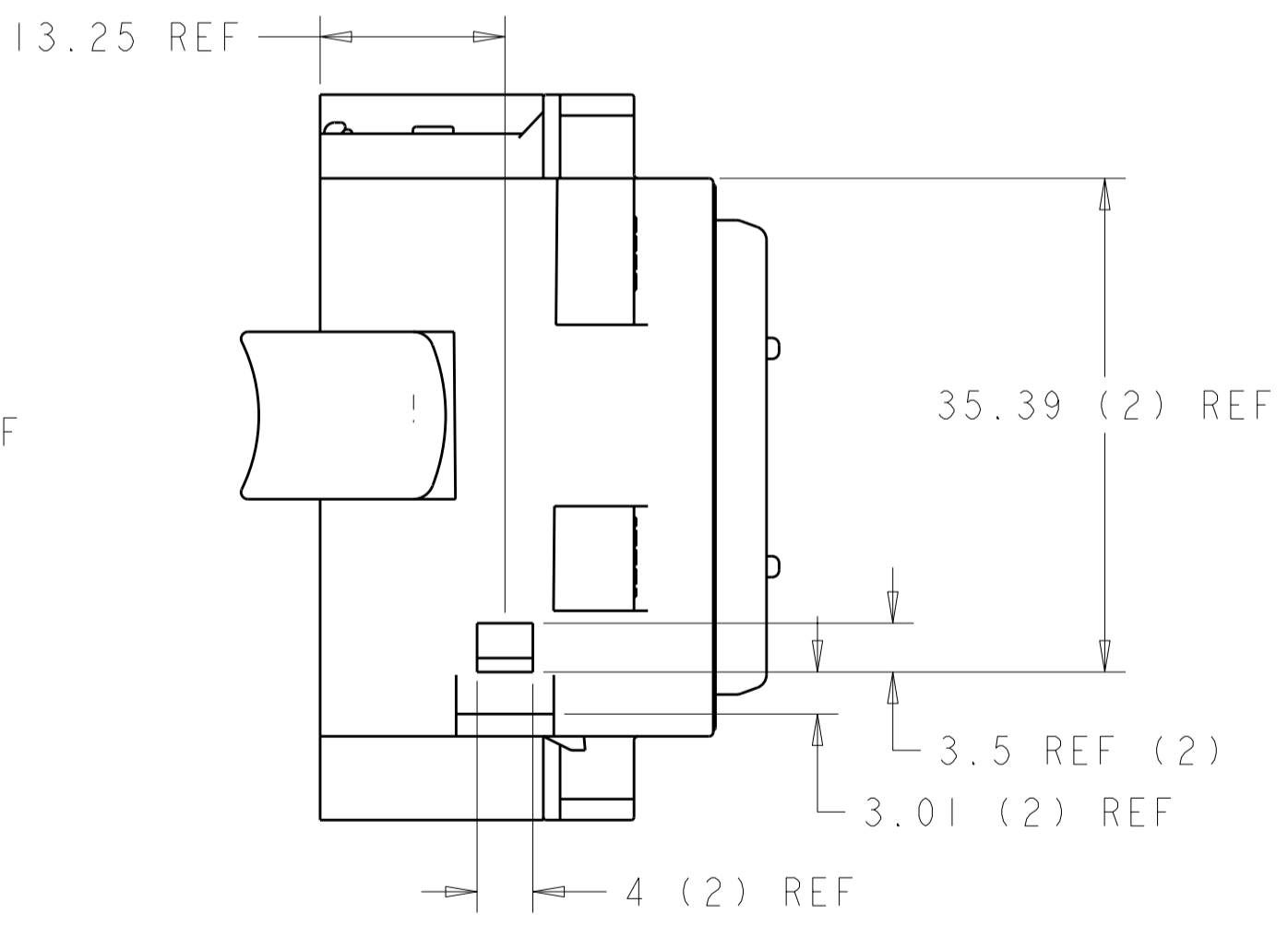
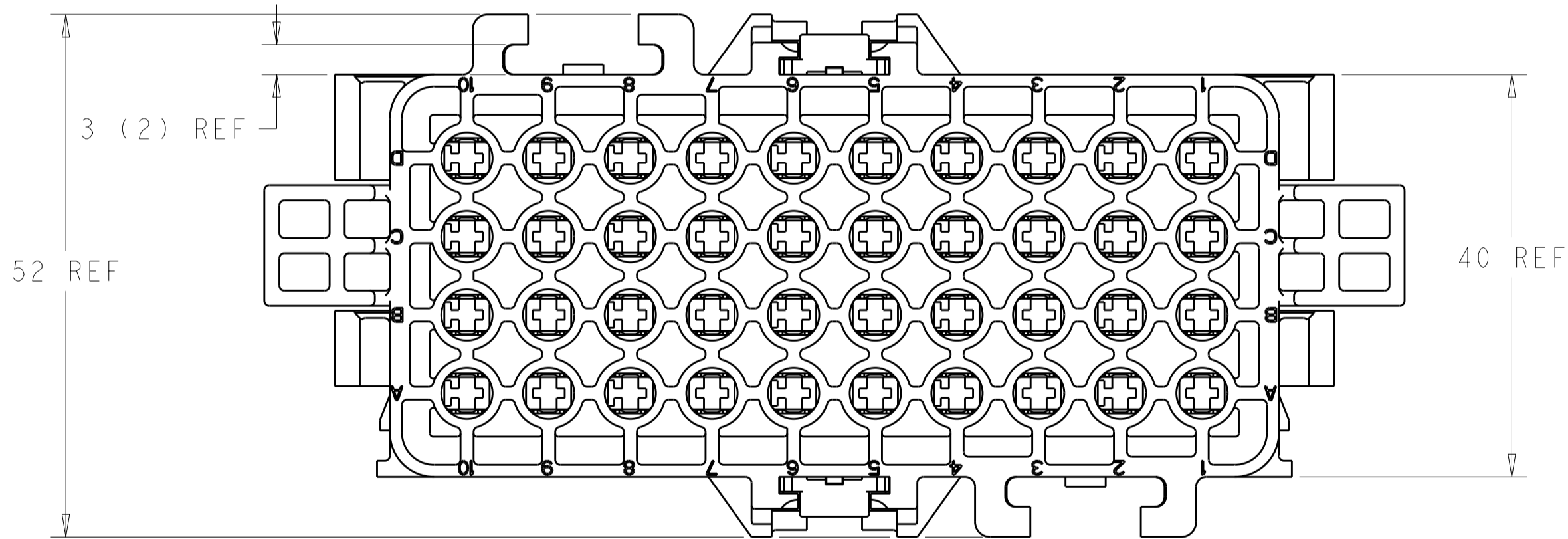
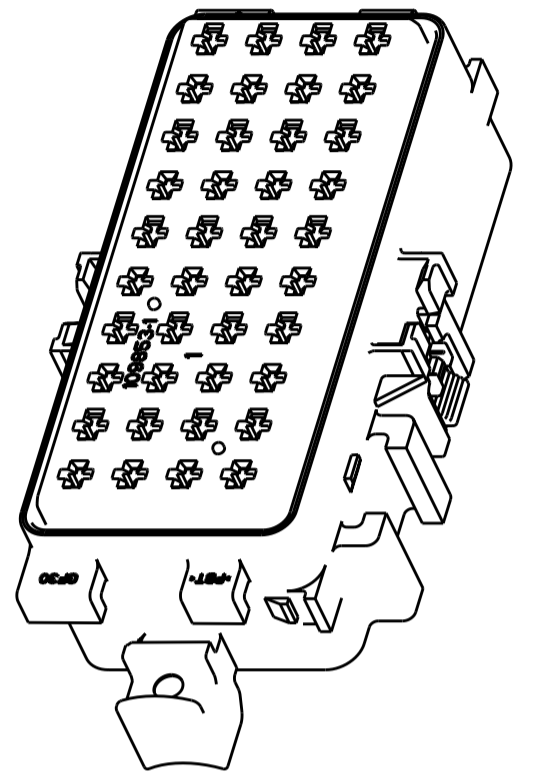
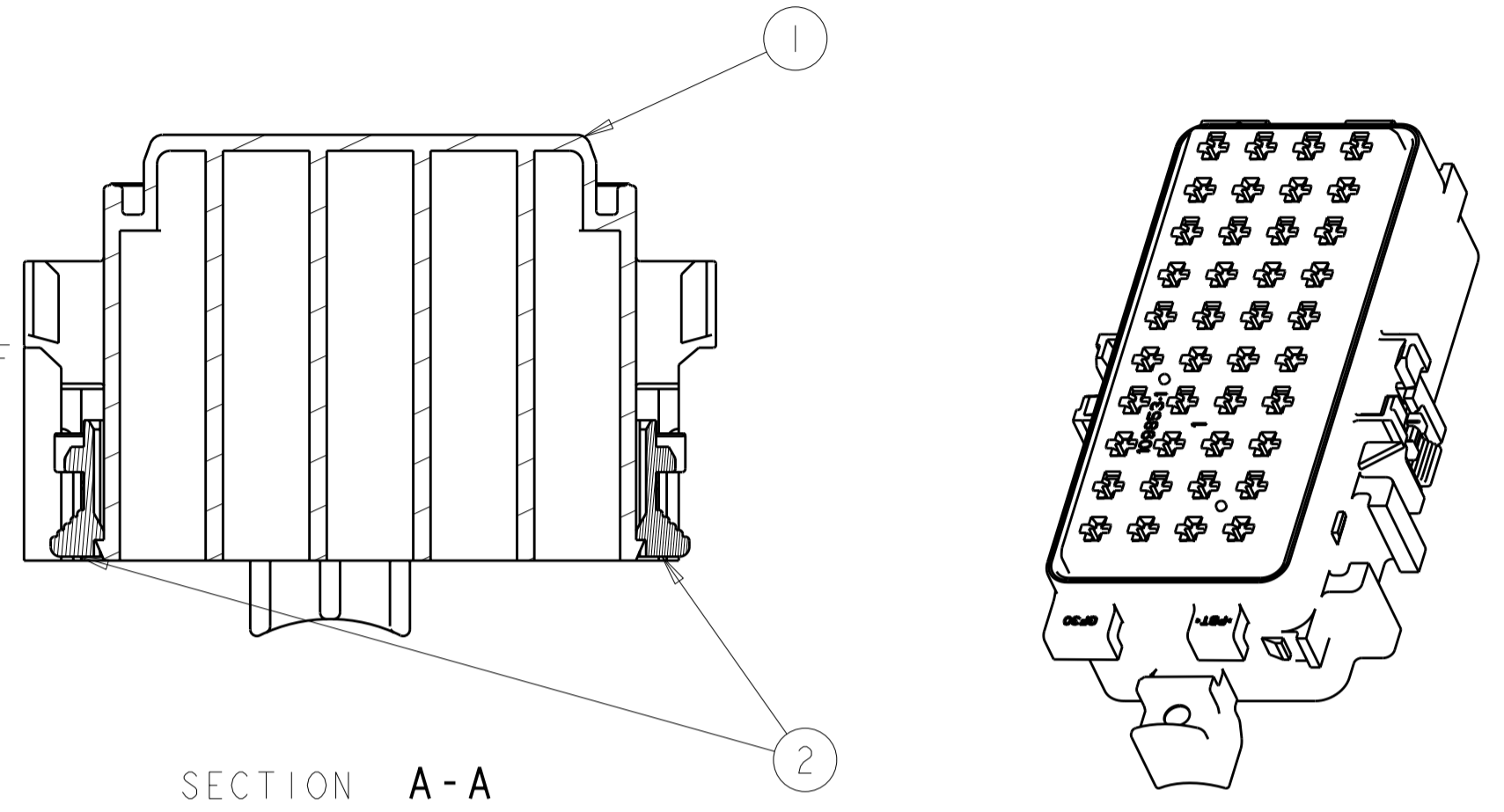
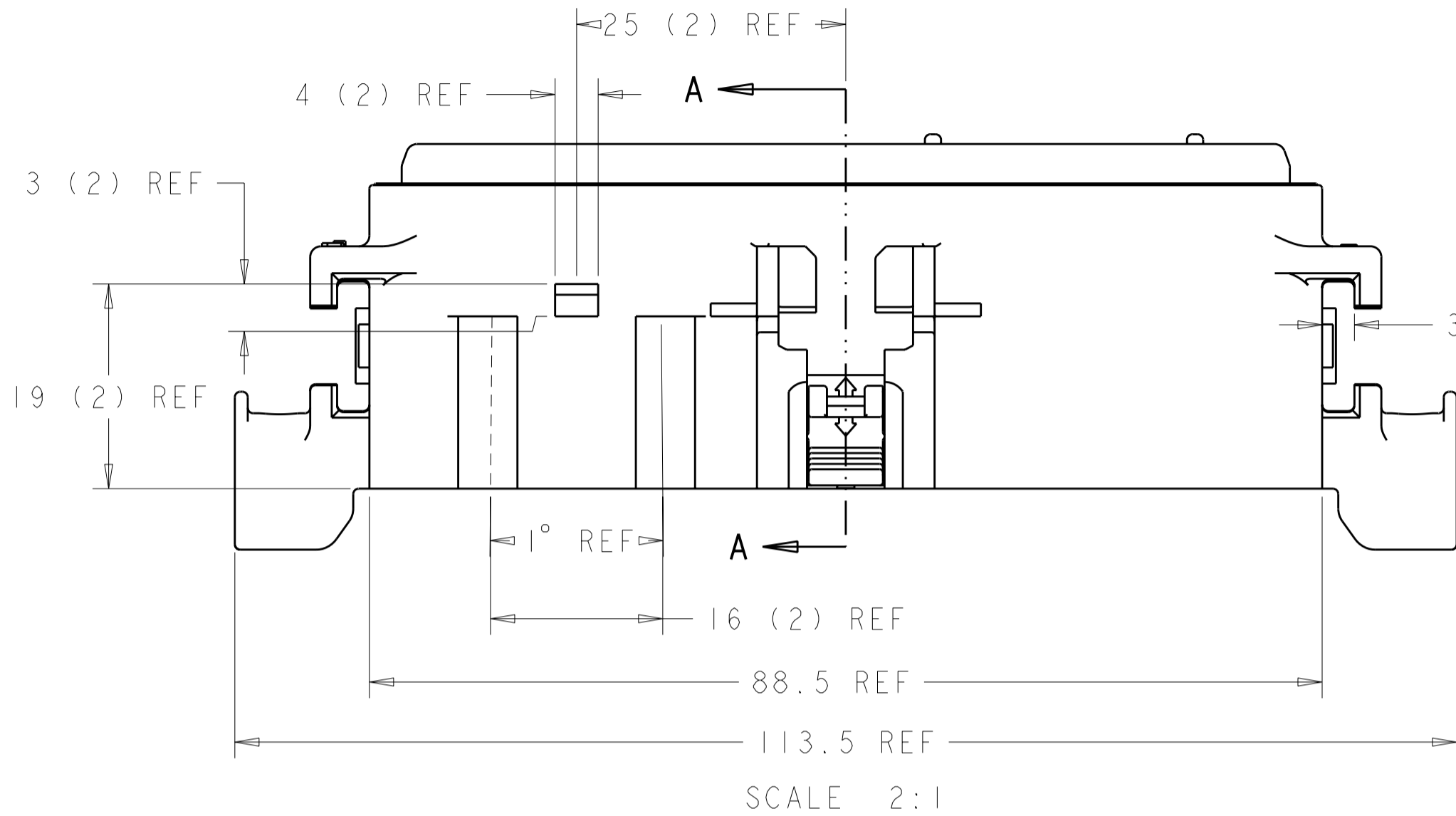


THIS DRAWING IS UNPUBLISHED. RELEASED FOR PUBLICATION 20
 © COPYRIGHT 20 BY TYCO ELECTRONICS CORPORATION. ALL RIGHTS RESERVED.

LOC	DIST	REVISIONS			
P	LTR	DESCRIPTION	DATE	DWN	APVD
	HV	00			
	0	INITIAL RELEASE	15DEC2005	AG	JS
	01	CORRECT ASSEMBLY NUMBER	07APR2006	AG	AG
	02	ECR-07-004893	01MAR2007	AG	AG



1. REFERENCE DRAWING 109853 FOR DIMENSIONAL INFORMATION

QTY	PART NO	DESCRIPTION	MATERIAL	ITEM NO
2	776467-1	CPA	PBT-GF15 RED	2
1	109853-1	BASE, 40 POSITION	PBT-GF30 BLACK	1
- 1		ASSEMBLY 1587335-1		

<small>THIS DRAWING IS A CONTROLLED DOCUMENT FOR TYCO ELECTRONICS CORPORATION. IT IS SUBJECT TO CHANGE AND THE CONTROLLING ENGINEERING ORGANIZATION SHOULD BE CONTACTED FOR THE LATEST REVISION.</small>		DWN A GUANCO 12DEC2005 CHK A GUANCO 12DEC2005 APVD J SHEVFLA 12DEC2005	tyco Electronics Tyco Electronics Harrisburg, PA 17105-3608
DIMENSIONS: mm 	TOLERANCES UNLESS OTHERWISE SPECIFIED: 0 PLC ±1 1 PLC ±0.25 2 PLC ±0.15 3 PLC ± 4 PLC ± ANGLES ±1 FINISH	PRODUCT SPEC APPLICATION SPEC WEIGHT CUSTOMER DRAWING	NAME BASE ASSEMBLY 40 POSITION SIZE CAGE CODE DRAWING NO RESTRICTED TO A200779 C-1587335 SCALE SHEET OF REV 02