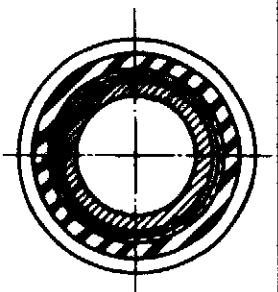
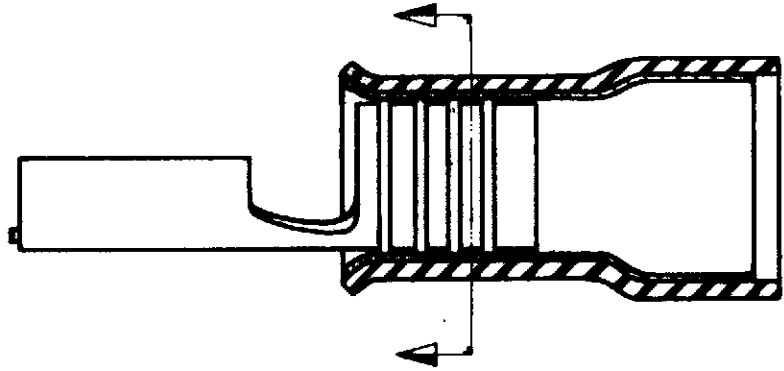
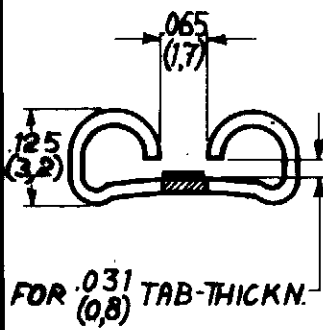
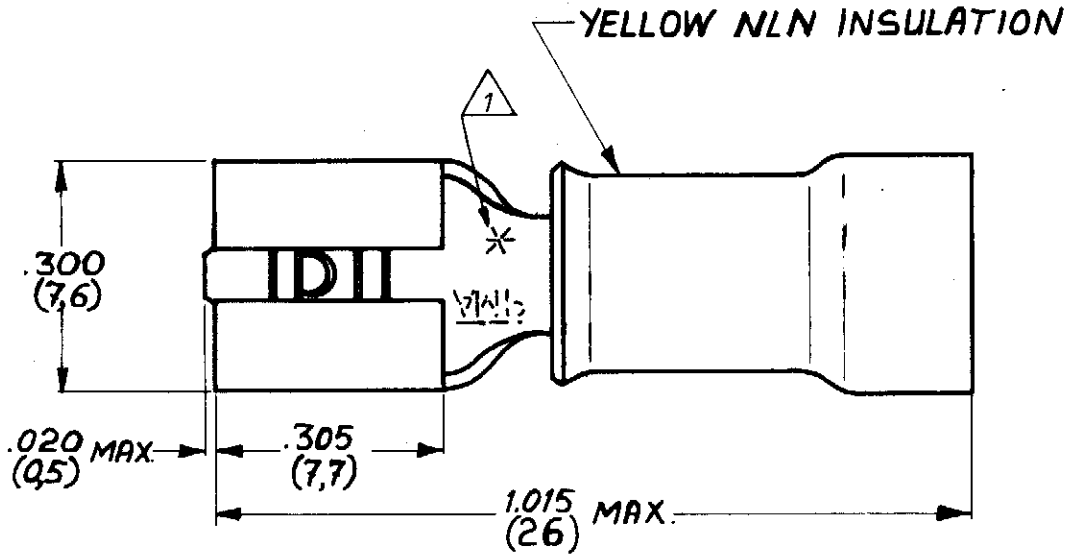


DRAWING MADE IN AMERICAN PROJECTION

P	LTR	DESCRIPTION	DATE	DWN	APVD
	K3	REVISED PER ECO-11-004820	11MAR11	RK	HMR

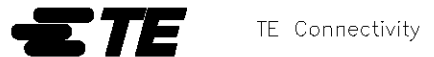
NUMBER C-160314



- 1 ASTERISK * FOR PH BRONZE VERSION ONLY.
- 2 OBSOLETE - NO REPLACEMENT
- 3 DIMENSIONS IN () ARE IN MM.

RECEPTACLE MATERIAL THICKN.: ^{.018}(0.45)

CUSTOMER COPY FOR REFERENCE ONLY



2-160314-5	160314-5 MOUNTED ON TAPE	
160314-8	PH. BRONZE	TIN-LEAD
160314-5	PHOS. BRONZE	PRE-TINNED
2-160314-2	160314-2 MOUNTED ON TAPE	
160314-4	BRASS	GOLD
160314-2		TIN
DR	DATE	DE
DR	DATE	APP

WIRE-RANGE	INSUL-RANGE	Tol
4-6 mm ²	2.50 MAX. DIA	±.015
SCALE	SIZE	NO
	A	C-160314
REV	K3	

NAME 250 Ser. PIDG FASTON RECEPTACLE

DIMENSIONS IN () DO NOT SCALE PRINT