


THIS DRAWING IS UNPUBLISHED.

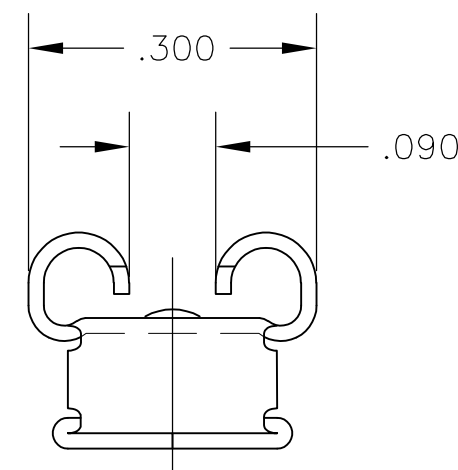
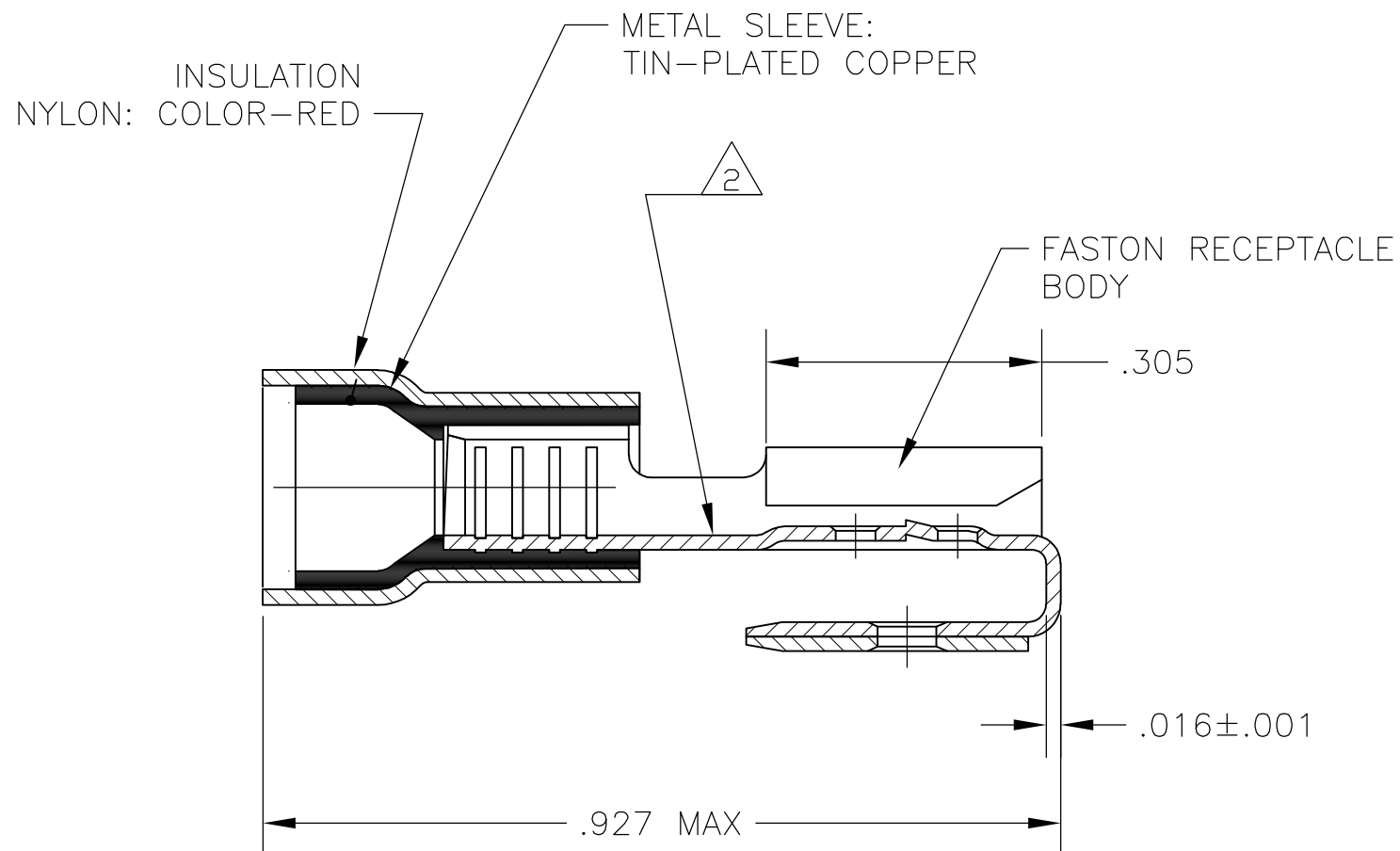
RELEASED FOR PUBLICATION


ALL RIGHTS RESERVED.


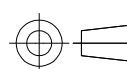
© COPYRIGHT - By -

LOC	DIST	REVISIONS					
		P	LTR	DESCRIPTION	DATE	DWN	APVD
G	86		C2	REVISED PER ECO-11-004820	11MAR11	RK	HMR

- 1 MATING TAB THICKNESS .032
- 2  ASTERISK * FOR PHOS BRONZE ITEMS ONLY.
- 3 WIRE INSULATION DIA TO BE .140 MAX
- 4 MAX RECOMMENDED OPERATING TEMP IS 105°C OR 221°F
- 5 VOLTAGE RATING IS 300V MAX
- 6 CIRCULAR MIL AREA 0.3-1,5mm² [592-2960]



TIN PLATING	PHOS BRONZE 	160834-5
TIN PLATING	BRASS	160834-2
FINISH - TERMINAL	FASTON RECEPTACLE MATERIAL	PART NO

THIS DRAWING IS A CONTROLLED DOCUMENT.		DWN jr_ruth 22FEB06	 TE Connectivity NAME 250 SERIES P.I.D.G. FASTON REC, ASS'Y, PIGGYBACK, LOOSE PIECE WIRE SIZE: 22-16 AWG				
DIMENSIONS: INCHES		CHK T MICHELUTTI 22FEB06				APVD T MICHELUTTI 22FEB06	RESTRICTED TO
		PRODUCT SPEC				SIZE	
TOLERANCES UNLESS OTHERWISE SPECIFIED:		APPLICATION SPEC				CAGE CODE	
MATERIAL SEE TABLE		FINISH SEE TABLE		DRAWING NO A300779 C-160834			
		WEIGHT -		SCALE 5:1			
		CUSTOMER DRAWING		SHEET 1 OF 1			
				REV C2			