

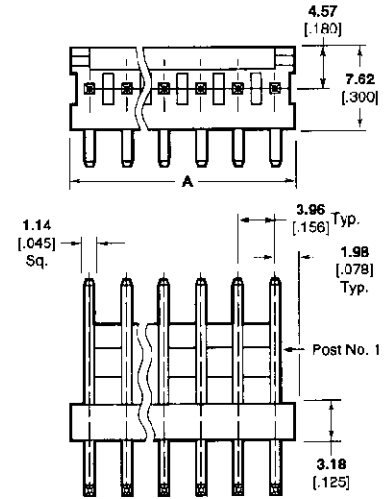
Friction Lock Headers — Right Angle 3.18 [.125] Soldertail

Material and Finish

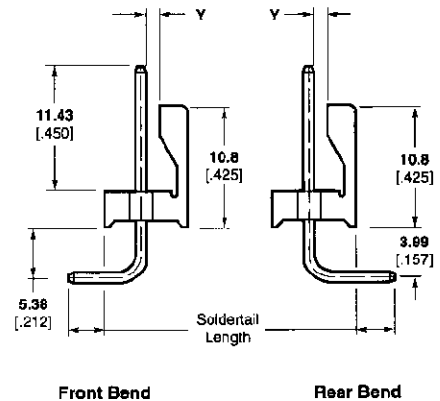
Housing — UL94V-0 rated, polyester, white

Posts — Copper alloy, tin plated, 0.00076 [.000030] or 0.00038 [.000015] gold over nickel

No. of Posts	Dim. A	Front Bend Header Part Nos.	Rear Bend Header Part Nos.
Standard UL94V-0, Tin Plated			
2	7.92 [.312]	640389-2	640387-2
3	11.89 [.468]	640389-3	640387-3
4	15.85 [.624]	640389-4	640387-4
5	19.81 [.780]	640389-5	640387-5
6	23.77 [.936]	640389-6	640387-6
7	27.74 [1.092]	640389-7	640387-7
8	31.7 [1.248]	640389-8	640387-8
9	35.66 [1.404]	640389-9	—
10	39.62 [1.560]	1-640389-0	1-640387-0
11	43.59 [1.716]	1-640389-1	—
12	47.55 [1.872]	1-640389-2	1-640387-2
13	51.51 [2.028]	1-640389-3	—
14	55.47 [2.184]	—	1-640387-4
15	59.44 [2.340]	1-640389-5	1-640387-5
18	71.32 [2.808]	1-640389-6	—
Standard UL94V-0, 0.00076 [.000030] Gold Plated			
3	11.89 [.468]	641210-3	—
5	19.81 [.780]	641210-5	—
6	23.77 [.936]	641210-6	—
12	47.55 [1.872]	1-641210-2	—



Y = 1.73 [.068] 2-8 position tin plated and 2-24 position gold plated headers.
 Y = 1.85 [.073] 9-24 position tin plated headers.



Power

Cabled Power Connectors