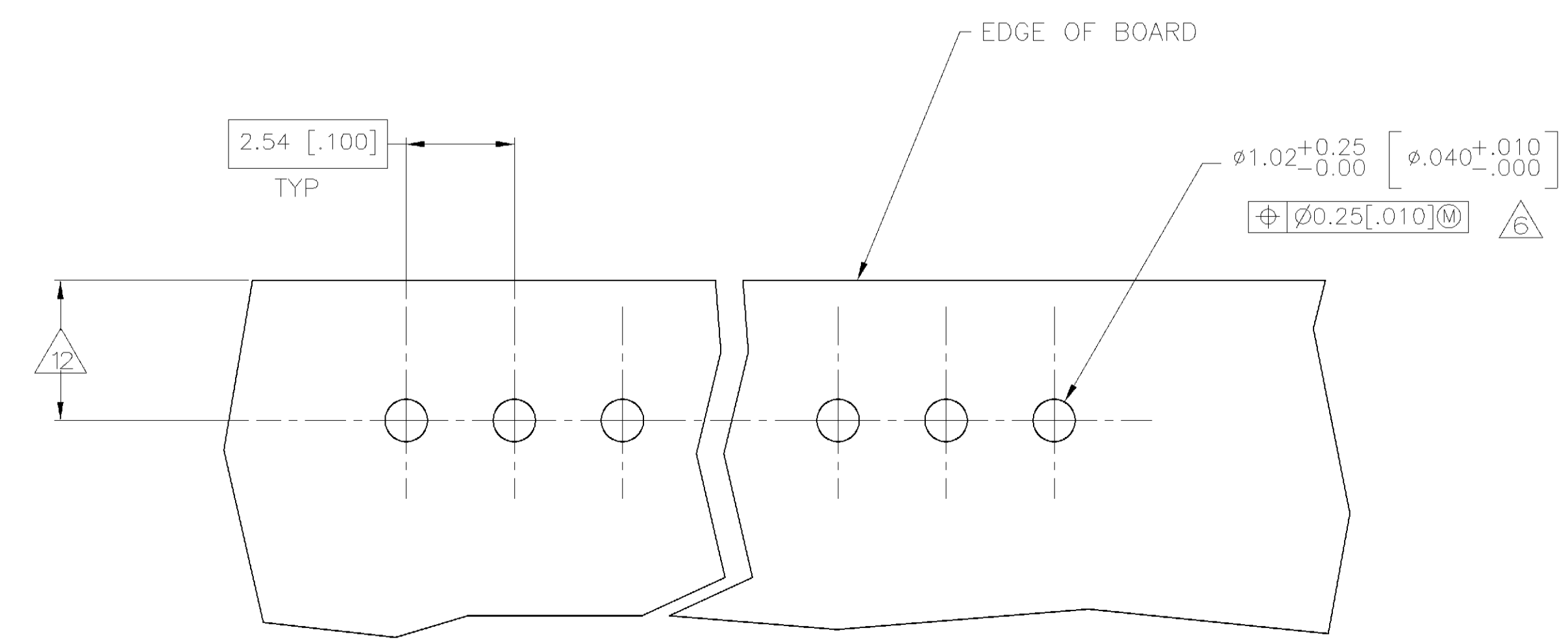
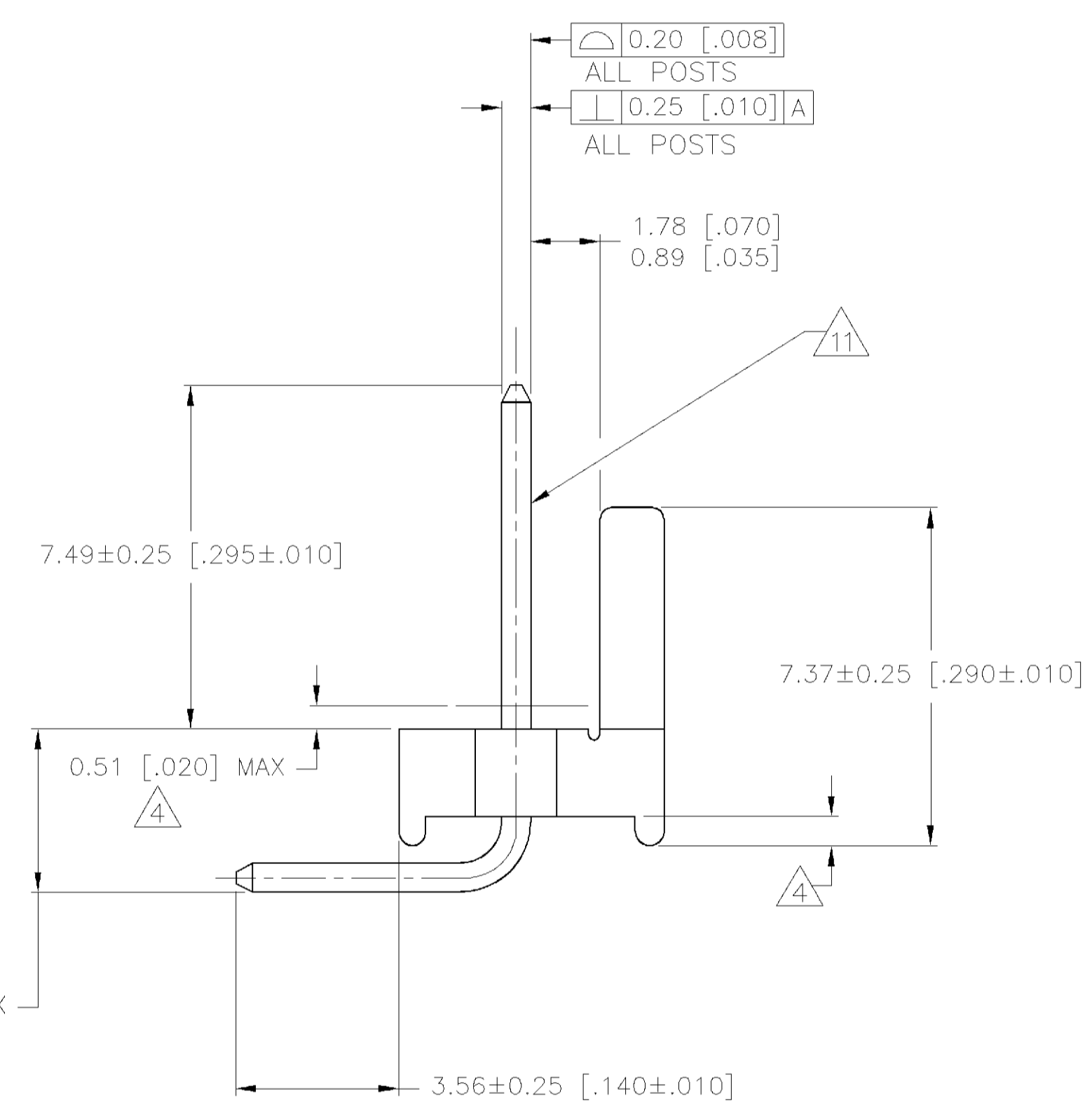
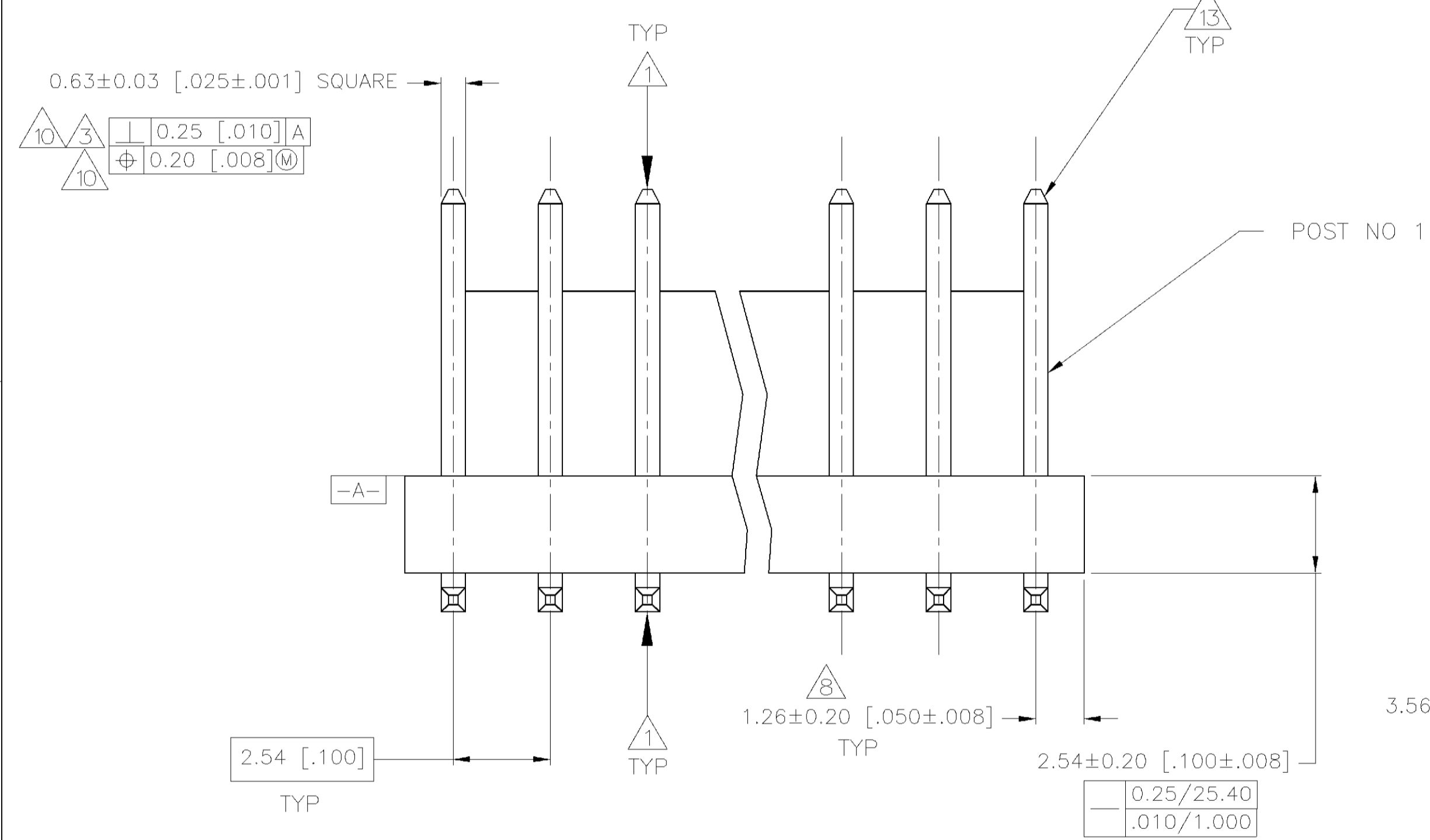
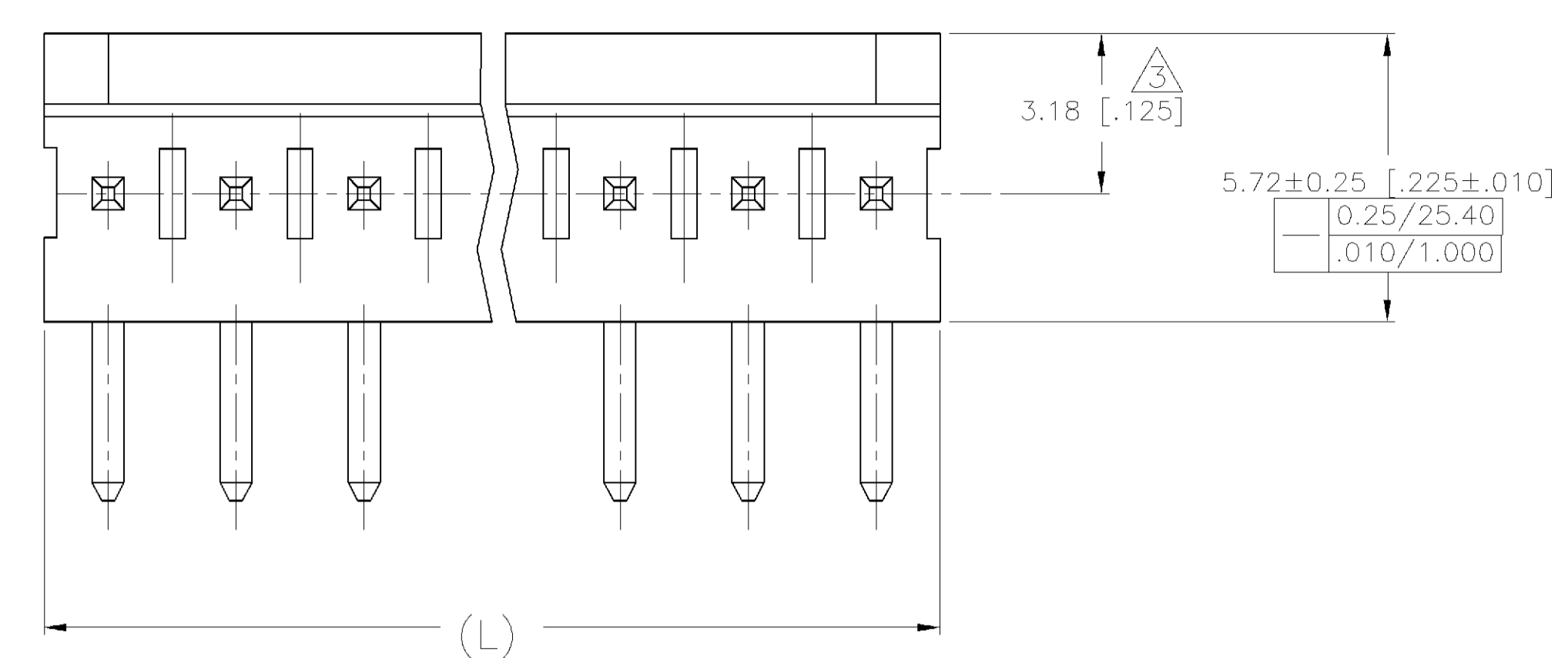


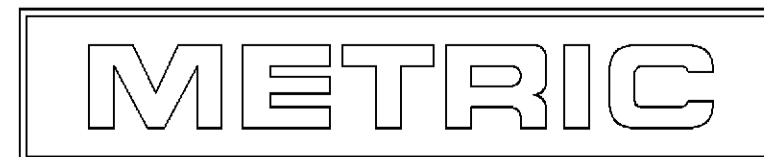
| LOC | | DIST | | REVISIONS | | | |
|-----|-----|--------------------------|-----------|-----------|------|--|--|
| P | LTR | DESCRIPTION | DATE | OWN | APVD | | |
| W | | REVISED PER 063B-0126-01 | 22-OCT-01 | SH | DB | | |



RECOMMENDED MOUNTING HOLE PATTERN FOR 1.60 [0.063] THICK P.C. BOARD

- 1. POST TO WITHSTAND 13 NEWTONS [3 LBS.] MIN. AXIAL FORCE IN BOTH DIRECTIONS SHOWN WITHOUT DISLODGING.
- 2. TOLERANCES APPLY TO SOLDER SIDE OF BOARD.
- 3. MEASURED AT SURFACE -A-
- 4. PLASTIC FLASH PERMITTED IN THIS AREA.
- 5. PARTS COMPLY WITH SOLDERABILITY SPEC. 109-11-2
- 6. ONE HOLE MAY BE UNDERSIZED 0.81-0.89 [0.032-.035] DIA. FOR ASSEMBLY RETENTION DURING WAVE SOLDERING.
- 7. MATERIAL: HEADER-THERMOPLASTIC POLYESTER 94V-0(NATURAL)
POST-COPPER ALLOY (TIN PLATED)
- 8. COORDINATE DIMENSION APPLIES FROM CENTER OF ACTUAL FEATURE.
- 9. PLASTIC BURRS CAUSED BY CUT-OFF TOOLING ARE PERMITTED WITHIN THE MAXIMUM TOLERANCE ENVELOPE.
- 10. POSTS TO BE MEASURED WHEN STRIP IS HELD FLAT.
- 11. POSTS MUST WITHSTAND TWO 90° BENDS AGAINST EXTRUSION WITHOUT BREAKING.
- 12. DIMENSION SHOULD BE 2.79-4.06 [0.110-.160] WHEN MATING WITH A MTA 100 CONNECTOR ASSEMBLY OR 2.79-3.05 [0.110-.120] WHEN MATING WITH A CST 100 CONNECTOR.
- 13. PIN BURR OF 0.13 [0.005] MAX. VERTICAL AND 0.08 [0.003] MAX. HORIZONTAL PERMITTED AT POST TIPS ON BOTH ENDS.

| | | | |
|-------|-------|-----------------|-------------|
| 71.12 | 2.800 | 28 | 2-640455-8 |
| 68.58 | 2.700 | 27 | 2-640455-7 |
| 66.04 | 2.600 | 26 | 2-640455-6 |
| 63.50 | 2.500 | 25 | 2-640455-5 |
| 60.96 | 2.400 | 24 | 2-640455-4 |
| 58.42 | 2.300 | 23 | 2-640455-3 |
| 55.88 | 2.200 | 22 | 2-640455-2 |
| 53.34 | 2.100 | 21 | 2-640455-1 |
| 50.80 | 2.000 | 20 | 2-640455-0 |
| 48.26 | 1.900 | 19 | 1-640455-9 |
| 45.72 | 1.800 | 18 | 1-640455-8 |
| 43.18 | 1.700 | 17 | 1-640455-7 |
| 40.64 | 1.600 | 16 | 1-640455-6 |
| 38.10 | 1.500 | 15 | 1-640455-5 |
| 35.56 | 1.400 | 14 | 1-640455-4 |
| 33.02 | 1.300 | 13 | 1-640455-3 |
| 30.48 | 1.200 | 12 | 1-640455-2 |
| 27.94 | 1.100 | 11 | 1-640455-1 |
| 25.40 | 1.000 | 10 | 1-640455-0 |
| 22.86 | .900 | 9 | 640455-9 |
| 20.32 | .800 | 8 | 640455-8 |
| 17.78 | .700 | 7 | 640455-7 |
| 15.24 | .600 | 6 | 640455-6 |
| 12.70 | .500 | 5 | 640455-5 |
| 10.16 | .400 | 4 | 640455-4 |
| 7.62 | .300 | 3 | 640455-3 |
| 5.08 | .200 | 2 | 640455-2 |
| MM | [IN] | NO OF POSITIONS | PART NUMBER |
| L | | | |



THIS DRAWING IS A CONTROLLED DOCUMENT.

| | | | | | | | | |
|-------------------------|--|-----------|-----------|-----------|----------------------|-----------|----------------|--------|
| DIMENSIONS: MM [INCHES] | TOLERANCES UNLESS OTHERWISE SPECIFIED: | 0 PLC ± - | 1 PLC ± - | 2 PLC ± - | 3 PLC ± 0.13 [0.005] | 4 PLC ± - | ANGLES ± 0.30° | FINISH |
| | | 7 | 7 | | | | | |

| | |
|----------------------------|---|
| SWN S. HAMM 22-OCT-2001 | Tyco Electronics Corporation Harrisburg, PA 17105-3608 |
| CHK: D. BOSSI 22-OCT-2001 | |
| APVD: D. BOSSI 22-OCT-2001 | NAME |
| PRODUCT SPEC | MTA-100 HEADER ASSEMBLY, POLARIZED, NOTCHED, .025 SQUARE RIGHT ANGLE POST, TIN PLATED |
| APPLICATION SPEC | SIZE CAGE CODE DRAWING NO |
| WEIGHT | A1 00779 C-640455 |
| CUSTOMER DRAWING | SCALE 8:1 SHEET 1 OF 1 REV W |