

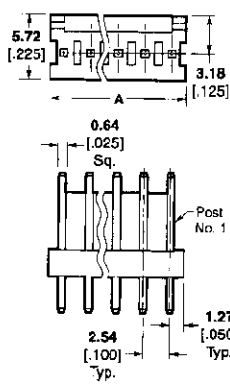
Friction Lock Headers — Straight and Right Angle

Material and Finish:

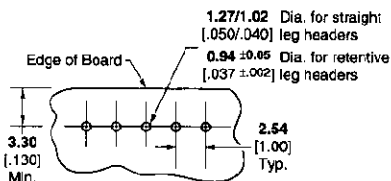
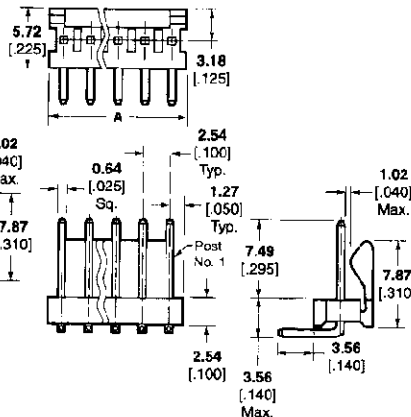
Housing — UL94V-0 rated, polyester, white

Posts — Copper alloy tin plated, 0.00076 [0.00030] or 0.00038 [0.00015] gold over nickel

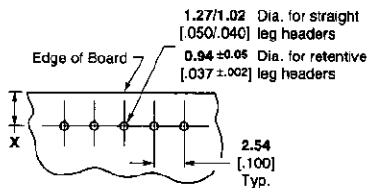
Straight Post (0.64 [.025] Square)



Right Angle Post (0.64 [.025] Square)



Recommended Mounting Hole Size for 1.57 [.062] PC Board



Recommended Mounting Hole Size for 1.57 [.062] PC Board

X = 2.79 [.110] min., 4.06 [.160] max. when mated with MTA-100 Connector.
 X = 2.79 [.110] min., 3.05 [.120] max. when mated with CST-100 Connector.

No. of Circuits	Dim. A	Straight Posts Header Part No.	Right Angle Posts Header Part No.
Standard UL94V-0, Tin Plated			
2	5.08 [.200]	640456-2	640457-2
3	7.62 [.300]	640456-3	640457-3
4	10.16 [.400]	640456-4	640457-4
5	12.7 [.500]	640456-5	640457-5
6	15.24 [.600]	640456-6	640457-6
7	17.78 [.700]	640456-7	640457-7
8	20.32 [.800]	640456-8	640457-8
9	22.86 [.900]	640456-9	640457-9
10	25.4 [1.00]	1-640456-0	1-640457-0
11	27.94 [1.100]	1-640456-1	1-640457-1
12	30.48 [1.200]	1-640456-2	1-640457-2
13	33.02 [1.300]	1-640456-3	1-640457-3
14	35.56 [1.400]	1-640456-4	1-640457-4
15	38.1 [1.500]	1-640456-5	1-640457-5
16	40.64 [1.600]	1-640456-6	1-640457-6
17	43.18 [1.700]	1-640456-7	—
18	45.72 [1.800]	1-640456-8	—
20	50.8 [2.000]	2-640456-0	2-640457-0
22	55.88 [2.200]	2-640456-2	—
24	60.96 [2.400]	2-640456-4	—
Standard UL94V-0, 0.00038 [0.00015] Gold Plated			
2	5.08 [.200]	641126-2	—
3	7.62 [.300]	641126-3	641127-3
4	10.16 [.400]	641126-4	641127-4
5	12.7 [.500]	641126-5	641127-5
6	15.24 [.600]	641126-6	—
7	17.78 [.700]	641126-7	—
8	20.32 [.800]	641126-8	—
9	22.86 [.900]	641126-9	—
10	25.4 [1.00]	1-641126-0	—
12	30.48 [1.200]	1-641126-2	—
14	35.56 [1.400]	1-641126-4	—
24	60.96 [2.400]	2-641126-4	—