

Distributed by:

**JAMECO**<sup>®</sup>  
ELECTRONICS

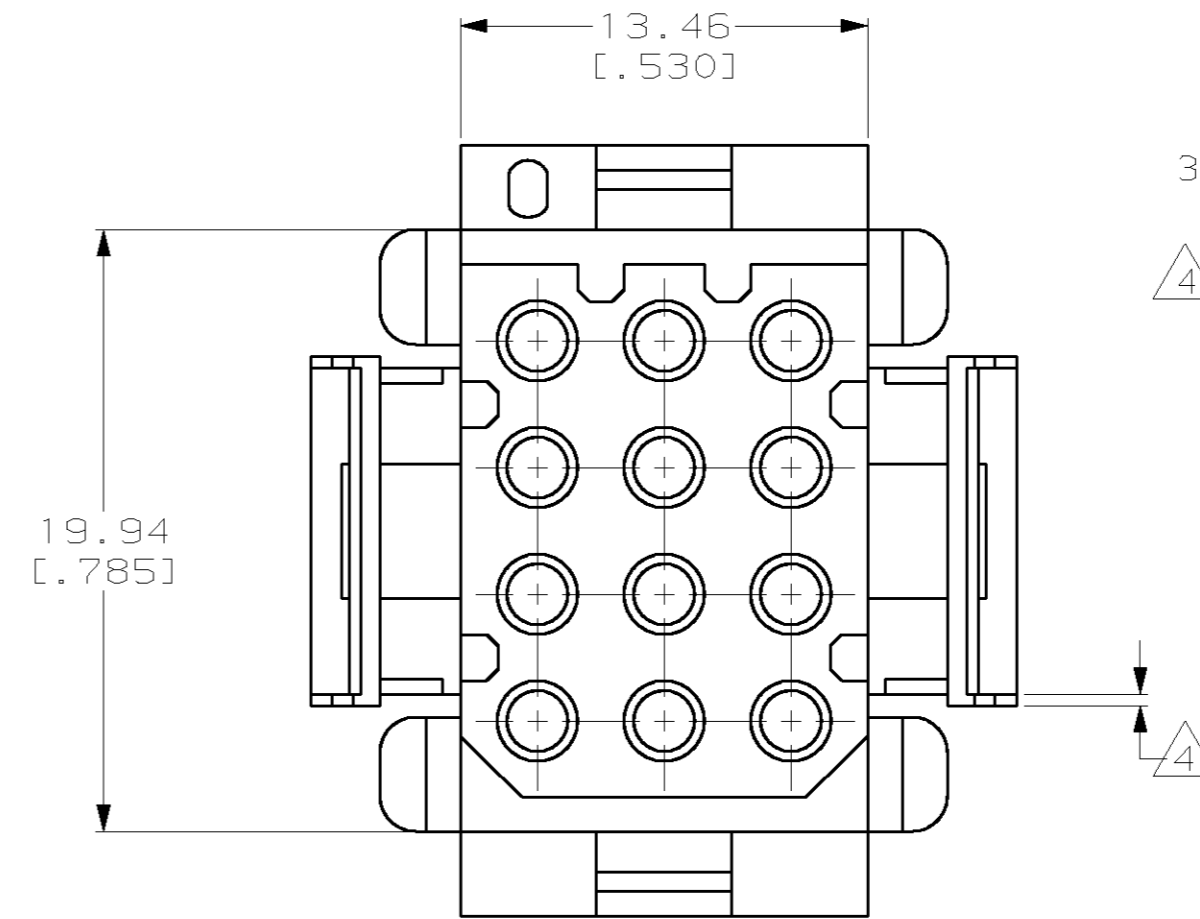
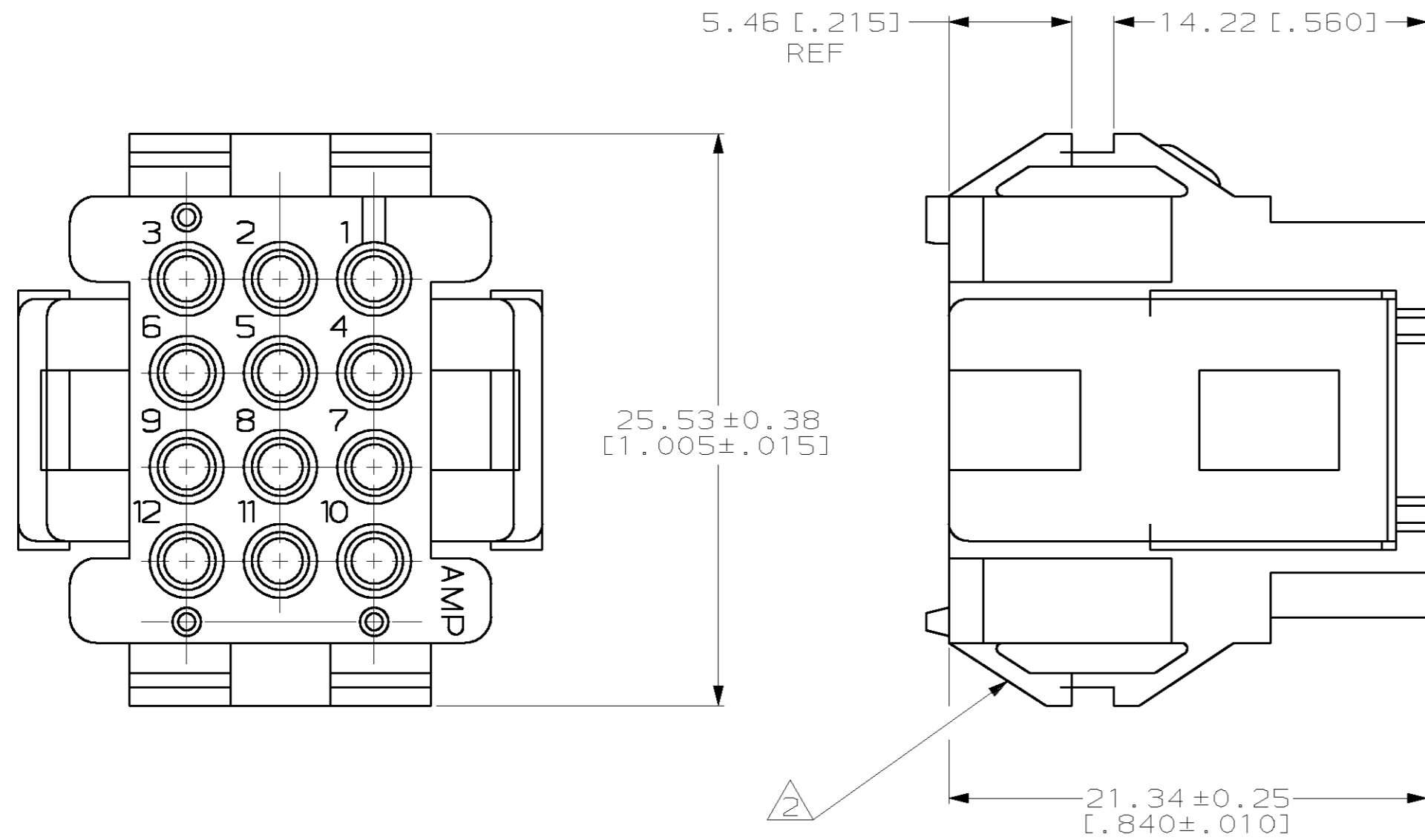
**www.Jameco.com ♦ 1-800-831-4242**

The content and copyrights of the attached  
material are the property of its owner.

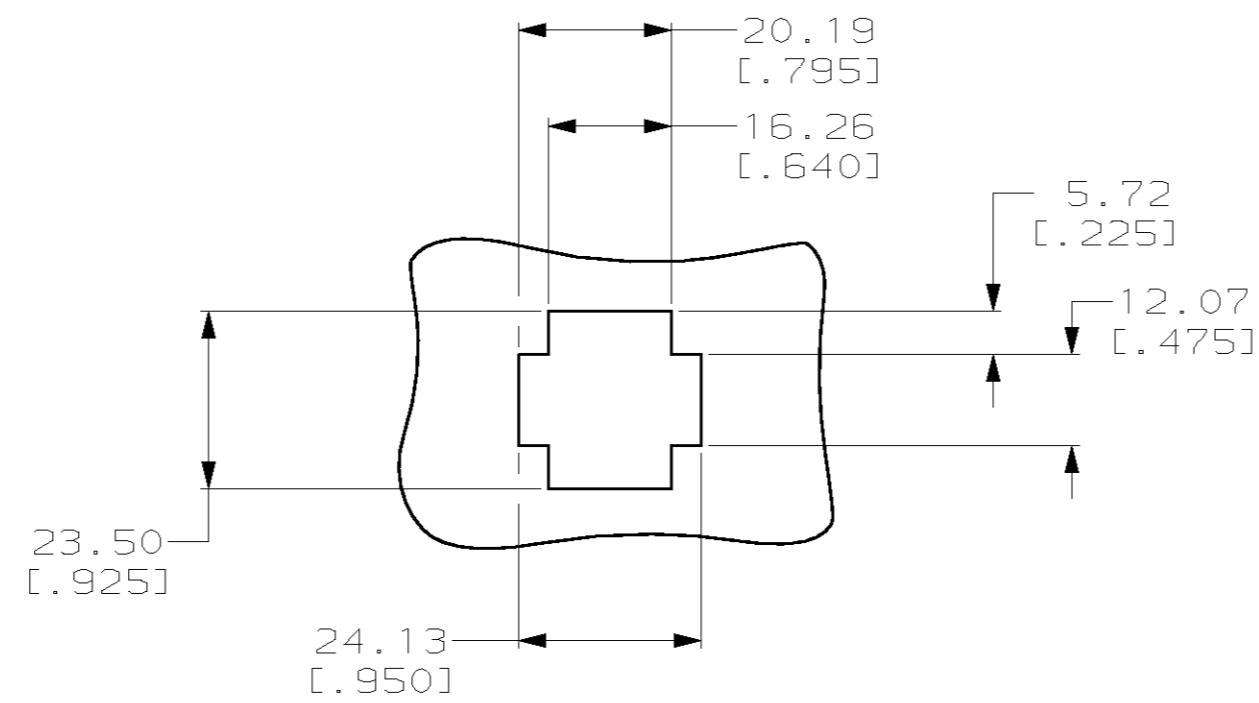
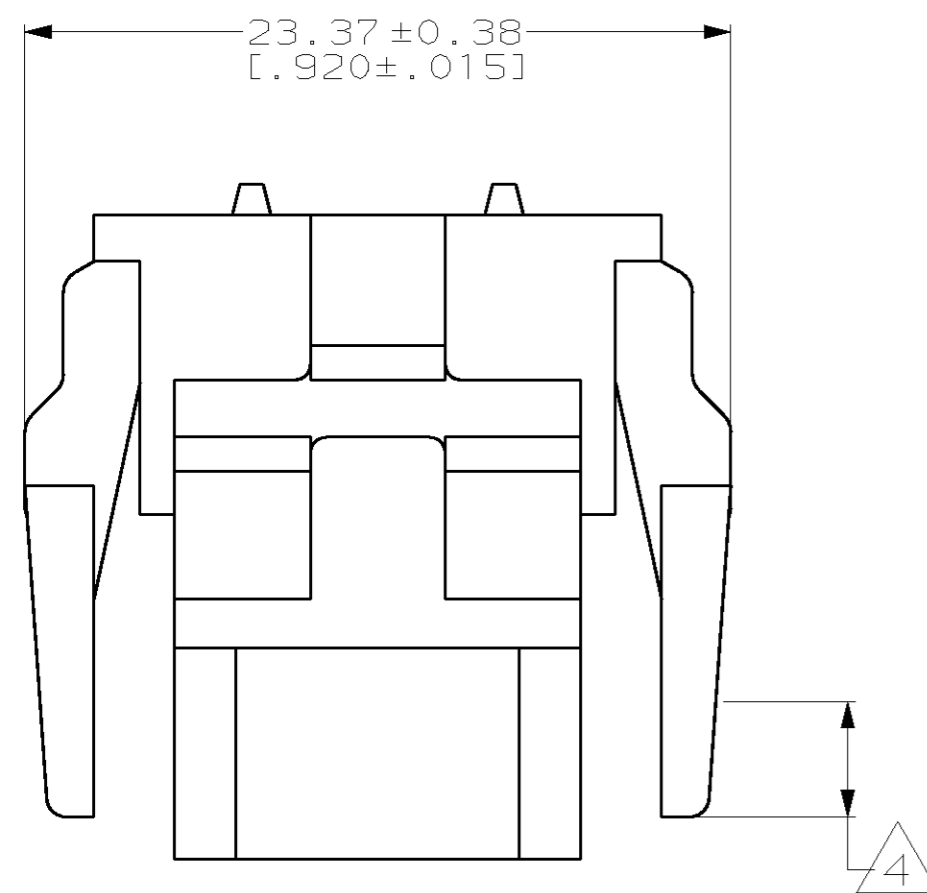
Jameco Part Number 527021

THIS DRAWING IS UNPUBLISHED. RELEASED FOR PUBLICATION .19  
 © COPYRIGHT 19 BY AMP INCORPORATED. ALL RIGHTS RESERVED.

LOC		DIST		REVISIONS			
P	LTR	DESCRIPTION	DATE	DWN	APVD		
CM	52	F					
		F	REVISED PER EC 063B-0104-99	05-OCT-99	KW	KC	



- MATES WITH HOUSING 640512.
- UL LOGO AND CSA LOGO TO APPEAR ON EITHER LATCH SURFACE PER AMP SPEC 202-20, I.D. NO. 1-18838-3 AND 1-18839-3. FROST BACKGROUND OPTIONAL.
- DIMENSIONS IN BRACKETS ARE IN INCHES.
- NON-FILL PERMITTED UP TO 3.8[.15] FROM EDGE OF LATCH ARM ON THE 0.38[.015] THICK FLANGE, 4 PLC.



RECOMMENDED CUT OUT  
 FOR 1.73[.068] MAX THICK PANEL  
 SCALE 1:1

**METRIC**

1-640522-0  
 PART NUMBER

THIS DRAWING IS A CONTROLLED DOCUMENT.		DWN	R. VESTAL	12-01-97	AMP Incorporated Harrisburg, PA 17105-3608
DIMENSIONS:		CHK	R. SWING	12-01-97	
mm [INCHES]		APVD	A. BEDDICK	12-01-97	
		TOLERANCES UNLESS OTHERWISE SPECIFIED:		NAME	
		0 PLC ±-		PRODUCT SPEC	HOUSING, PLUG
		1 PLC ±-		APPLICATION SPEC	MRII
		2 PLC ±0.13[.005]		WEIGHT	12 POSITION
		3 PLC ±-		CUSTOMER DRAWING	SIZE
		4 PLC ±-		SCALE	A2
		ANGLES ±0°30'		SHEET	1 OF 1
		FINISH -		REV	F
MATERIAL NYLON, UL 94V-0, NATURAL (BRICK RED)		DRAWING NO		C-640522	