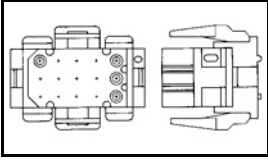


1-640523-0 Product Details

[Share](#) [Print](#) [Email](#)



1-640523-0

TE Internal Number: 1-640523-0



Active

[View 3D PDF](#)

.165" Centerline, 250 V, 9 A max.

Always EU RoHS/ELV Compliant
(Statement of Compliance)

Product Highlights:

- Wire-to-Board, Wire-to-Board / Wire-to-Panel / Wire-to-Wire, Wire-to-Panel, Wire-to-Wire
- Connector
- Housing
- Connector Style = Plug
- Applies To Wire/Cable

[View all Features](#)

Quick Links

- ▶ [Pricing & Availability](#)
- ▶ [Search for Tooling](#)
- ▶ [View Mating Products \(5\)](#)
- ▶ [Product Feature Selector](#)
- ▶ [Contact Us About This Product](#)

[Add to My Part List](#)

[Request Sample](#)

[Find Similar Products](#)

[Buy Product](#)

Documentation & Additional Information

Product Drawings:

- [HOUSING, PLUG MR11 15 POSITION](#) (PDF, English)

Catalog Pages/Data Sheets:

- [SOFT_SHELL_PIN_AND_SOCKET_CONNECTORS_CATALOG](#) (PDF, English)

Product Specifications:

- [Connector, Miniature Rectangular \(MR\)](#) (PDF, English)

Application Specifications:

- [Miniature Rectangular Contacts and Housings](#) (PDF, English)

Instruction Sheets:

- [AMP* MINIATURE RECTANGULAR II \(MR11\) CONNECTORS](#) (PDF, English)

CAD Files: (CAD Format & Compression Information)

- [2D Drawing](#) (DXF, Version E)
- [3D Model](#) (IGES, Version E)
- [3D Model](#) (STEP, Version E)

[List all Documents](#)

Additional Information:

- [Product Line Information](#)

Related Products:

- [Tooling](#)
- [Mating Products \(5\)](#)

Product Features (Please use the Product Drawing for all design activity)

Product Type Features:

- Product Type = Connector
- Connector Type = Housing
- Strain Relief = Without
- PCB Mount Retention = Without
- PCB Mount Alignment = Without
- Shrouded = Yes
- Sealed = No
- Shape = Rectangular
- UL File Number = E28476
- CSA File Number = LR 7189

Mechanical Attachment:

- Panel Mount Retention = Without
- Mating Retention Type = Positive Lock

Configuration Features:

- Number of Positions = 15
- Number of Rows = 5
- Number of Columns = 3

Industry Standards:

- UL Voltage Rating (VAC) = 250
- [RoHS/ELV Compliance](#) = RoHS compliant, ELV compliant
- [Lead Free Solder Processes](#) = Wave solder capable to 240°C
- RoHS/ELV Compliance History = Always was RoHS compliant
- Agency/Standard = UL, CSA
- UL Rating = Recognized

Electrical Characteristics:

- Hot Pluggable = No
- Operating Voltage Reference = AC
- Operating Voltage (VAC) = 250

Dimensions:

- Length (X-Axis) (mm [in]) = 21.34 [0.840]
- Width (Z-Axis) (mm [in]) = 29.72 [1.170]
- Profile Height (Y-Axis) (mm [in]) = 12.95 [0.510]

Body Features:

- Mating Retention = With
- Row-to-Row Spacing (mm [in]) = 4.19 [0.1649]

Contact Features:

- Contact Type = Socket

Housing Features:

- Connector Style = Plug
- Housing Color = Brick Red
- Mating Alignment = With
- Centerline (mm [in]) = 4.19 [0.1649]
- Mating Alignment Type = Polarization
- UL Flammability Rating = UL 94V-0

Environmental:

- Operating Temperature (°C [°F]) = -55 - +105 [-67 - +221]

Conditions for Usage:

- Applies To = Wire/Cable
- Accepts Wire Insulation Diameter, Range (mm [in]) = 2.92 [0.115]

Operation/Application:

- Application Use = Wire-to-Board, Wire-to-Board / Wire-to-Panel / Wire-to-Wire, Wire-to-Panel, Wire-to-Wire

Packaging Features:

- Packaging Method = Loose Piece

Other:

- Brand = AMP

Corporate Information

[About TE](#)
[Investors](#)
[News Room](#)
[Supplier Portal](#)
[Careers](#)
[Terms & Conditions](#)
[Privacy Policy](#)

Quick Links

[Distributor Inventory](#)
[Product Cross Reference](#)
[Documents & Drawings](#)
[Product Compliance Support Center](#)
[Site Map](#)

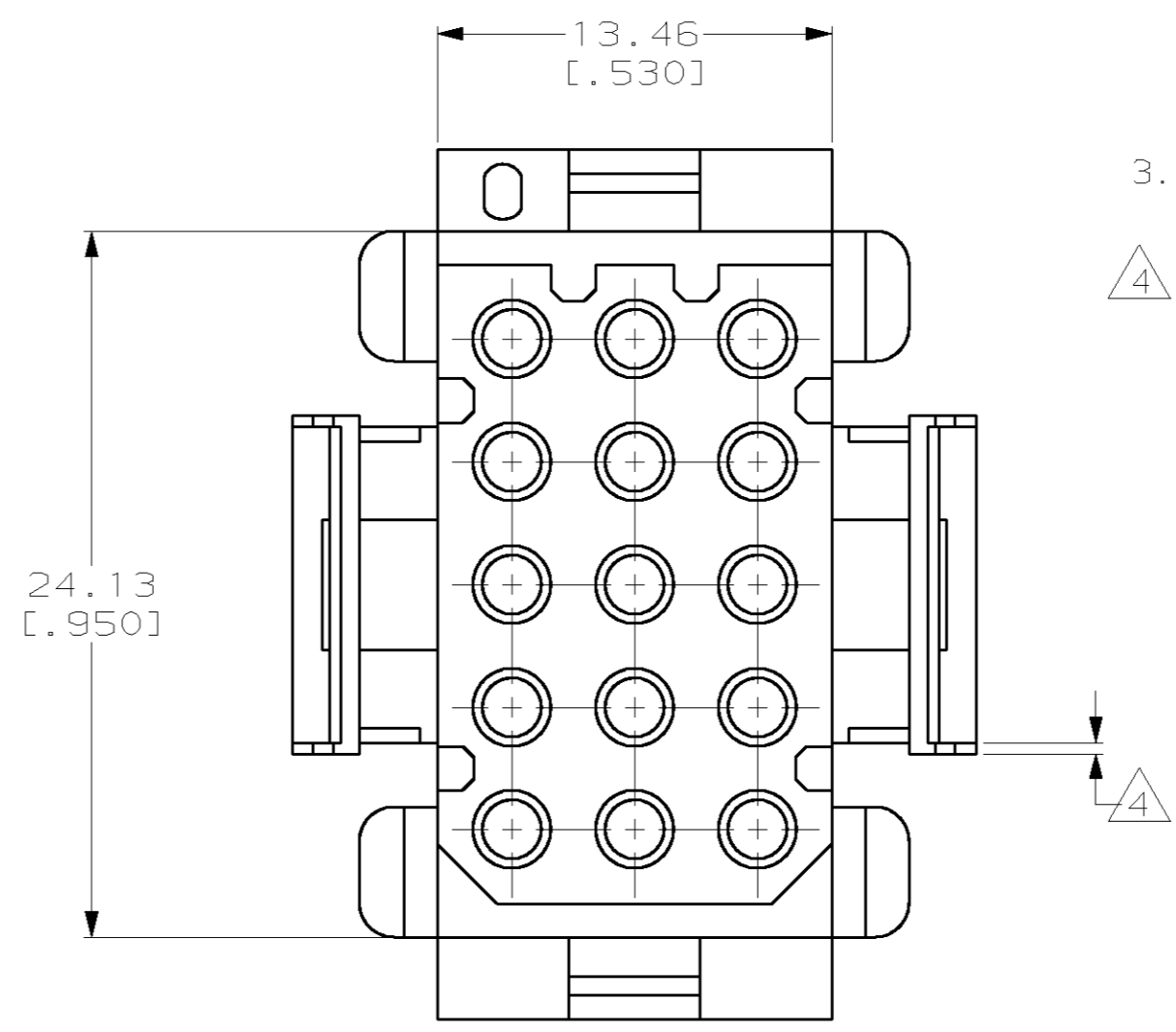
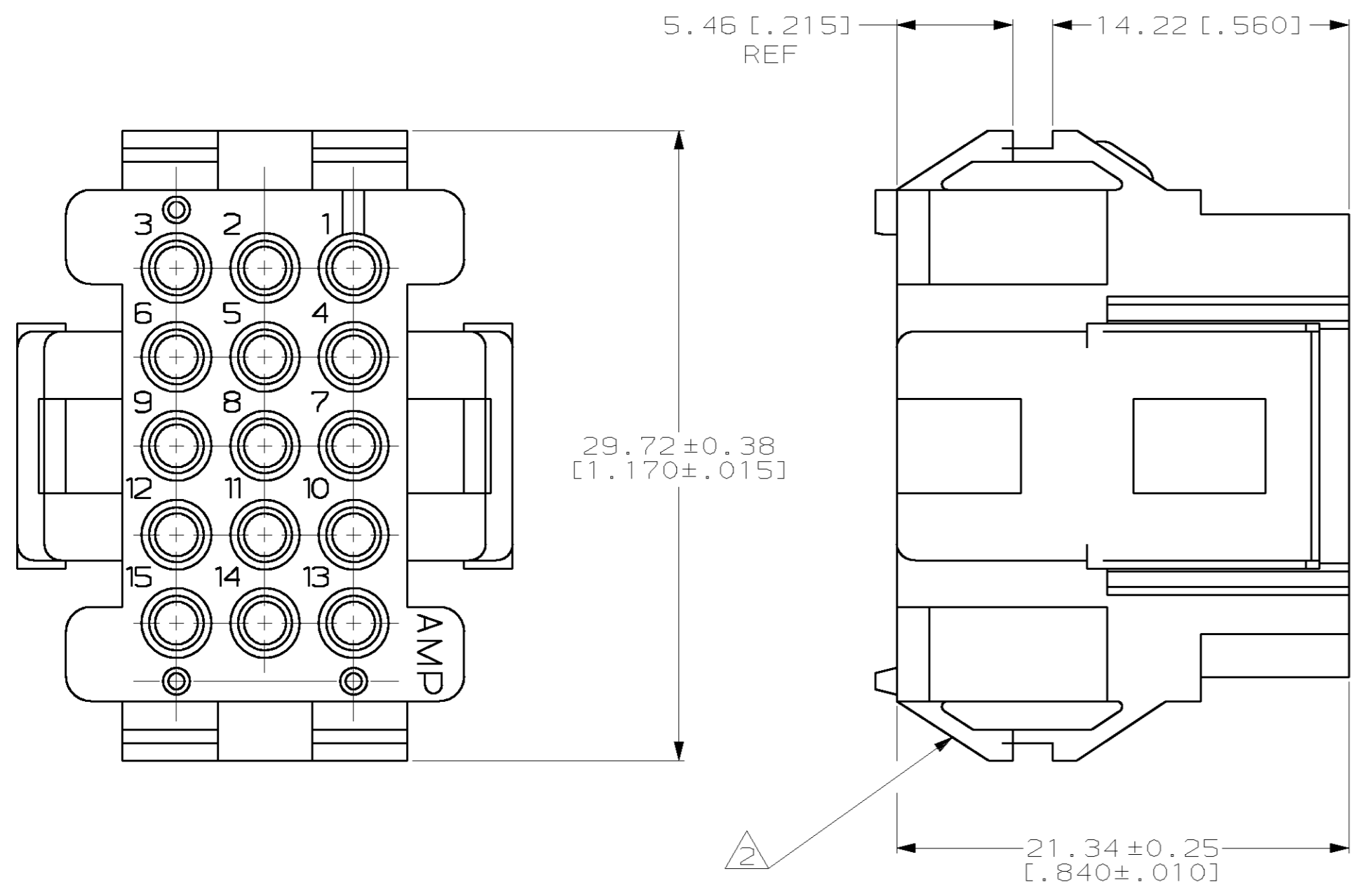
Customer Support

[Email or Chat With Us](#)
[Find a Phone Number](#)
[Knowledge Base](#)
[Manage Your Account](#)

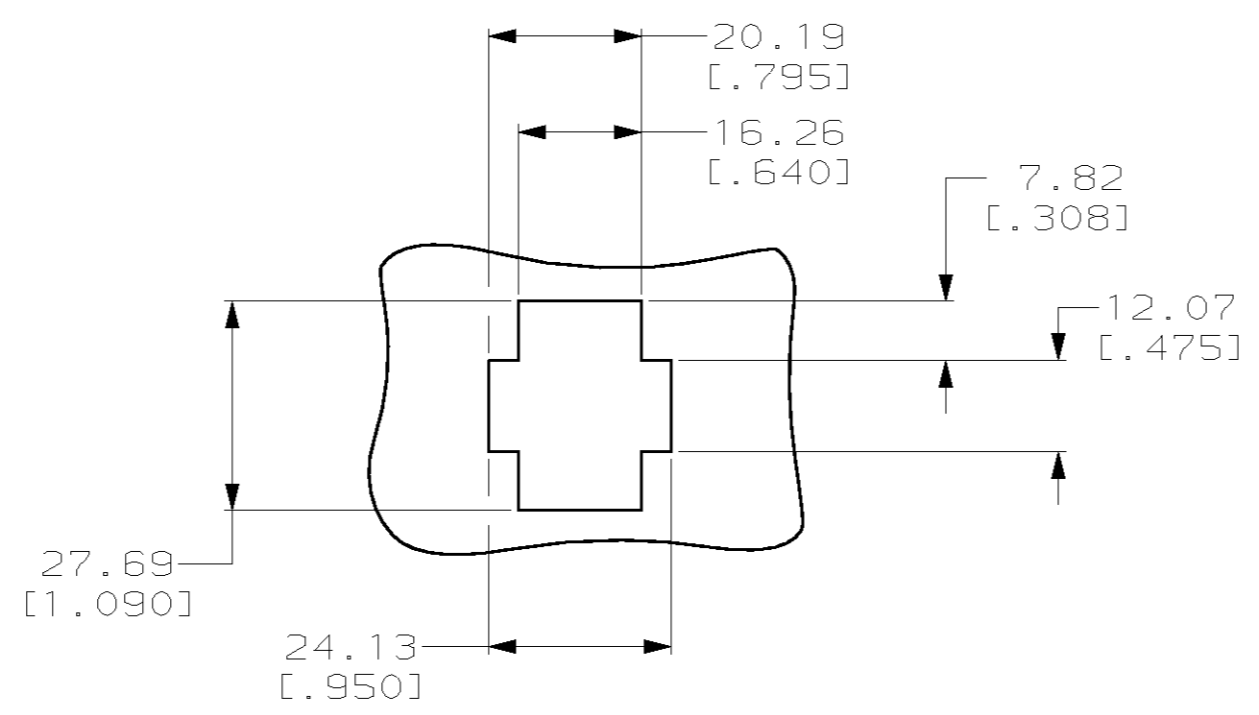
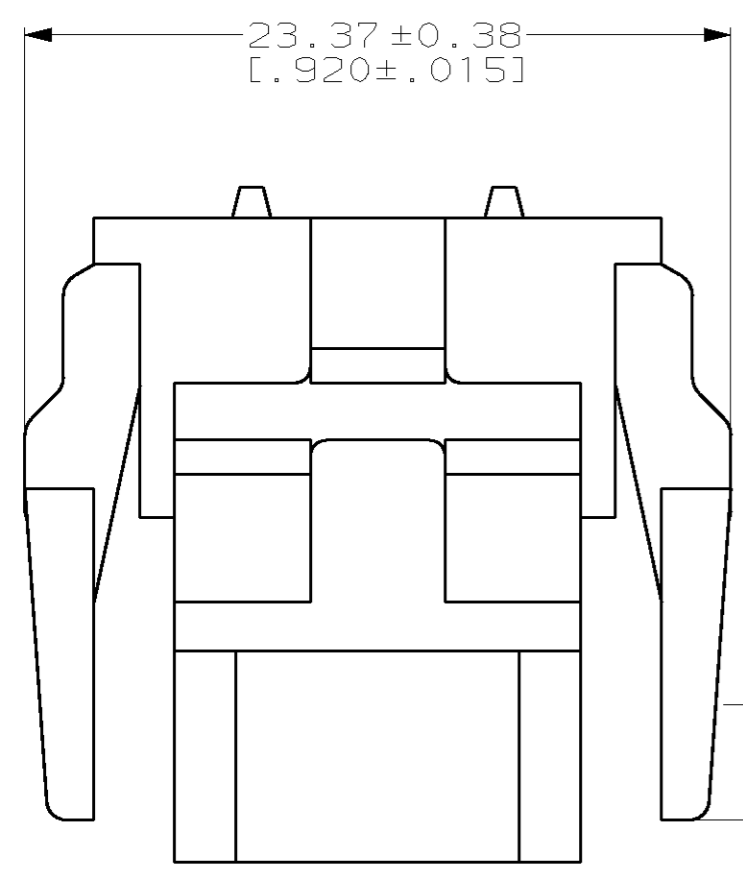
Keep Me Informed

THIS DRAWING IS UNPUBLISHED. RELEASED FOR PUBLICATION .19
 © COPYRIGHT 19 BY AMP INCORPORATED. ALL RIGHTS RESERVED.

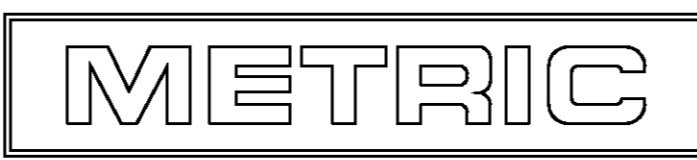
LOC		DIST		REVISIONS			
P	LTR	DESCRIPTION	DATE	DWN	APVD		
CM	52	E	REVISD PER EC 063B-0104-99	05-OCT-99	KW	KC	



- MATES WITH HOUSING 640513.
- UL LOGO AND CSA LOGO TO APPEAR ON EITHER LATCH SURFACE PER AMP SPEC 202-20, I.D. NO. 1-18838-3 AND 1-18839-3. FROST BACKGROUND OPTIONAL.
- DIMENSIONS IN BRACKETS ARE IN INCHES.
- NON-FILL PERMITTED UP TO 3.8[.15] FROM EDGE OF LATCH ARM ON THE 0.38[.015] THICK FLANGE, 4 PLC.



RECOMMENDED CUT OUT FOR 1.73[.068] MAX THICK PANEL
 SCALE 1:1



1-640523-0
 PART NUMBER

THIS DRAWING IS A CONTROLLED DOCUMENT.		DWN R. VESTAL 12-01-97	AMP Incorporated Harrisburg, PA 17105-3608
DIMENSIONS: mm [INCHES]		CHK R. SWING 12-01-97	
TOLERANCES UNLESS OTHERWISE SPECIFIED:		APVD A. BEDDICK 12-01-97	NAME HOUSING, PLUG MRII 15 POSITION
0 PLC ±- 1 PLC ±- 2 PLC ±0.13[.005] 3 PLC ±- 4 PLC ±- ANGLES ±0°30'		PRODUCT SPEC -	SIZE A2
MATERIAL NYLON, UL 94V-0, NATURAL (BRICK RED)		APPLICATION SPEC -	CAGE CODE 00779
FINISH -		WEIGHT -	DRAWING NO. C-640523
		CUSTOMER DRAWING	SCALE 4:1 SHEET 1 OF 1 REV E

640523