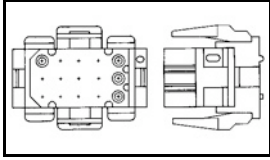


## 1-640525-0 Product Details

[Share](#) [Print](#) [Email](#)




1-640525-0

TE Internal Number: 1-640525-0

 Active

[View 3D PDF](#)

**.165" Centerline, 250 V, 9 A max.**

 Always EU RoHS/ELV Compliant  
(Statement of Compliance)

**Product Highlights:**

- Wire-to-Board, Wire-to-Board / Wire-to-Panel / Wire-to-Wire, Wire-to-Panel, Wire-to-Wire
- Connector
- Housing
- Connector Style = Plug
- Applies To Wire/Cable

[View all Features](#)

**Quick Links**

- ▶ [Pricing & Availability](#)
- ▶ [Search for Tooling](#)
- ▶ [View Mating Products \(5\)](#)
- ▶ [Product Feature Selector](#)
- ▶ [Contact Us About This Product](#)

[Add to My Part List](#)

[Request Sample](#)

[Find Similar Products](#)

[Buy Product](#)

### Documentation & Additional Information

**Product Drawings:**

- [HOUSING, PLUG MR11 24 POSITION](#) (PDF, English)

**Catalog Pages/Data Sheets:**

- [SOFT\\_SHELL\\_PIN\\_AND\\_SOCKET\\_CONNECTORS\\_CATALOG](#) (PDF, English)

**Product Specifications:**

- [Connector, Miniature Rectangular \(MR\)](#) (PDF, English)

**Application Specifications:**

- [Miniature Rectangular Contacts and Housings](#) (PDF, English)

**Instruction Sheets:**

- [AMP\\* MINIATURE RECTANGULAR II \(MR11\) CONNECTORS](#) (PDF, English)

**CAD Files:** (CAD Format & Compression Information)

- [2D Drawing](#) (DXF, Version E)
- [3D Model](#) (IGES, Version E)
- [3D Model](#) (STEP, Version E)

[List all Documents](#)

**Additional Information:**

- [Product Line Information](#)

**Related Products:**

- [Tooling](#)
- [Mating Products \(5\)](#)

### Product Features (Please use the Product Drawing for all design activity)

**Product Type Features:**

- Product Type = Connector
- Connector Type = Housing
- Strain Relief = Without
- PCB Mount Retention = Without
- PCB Mount Alignment = Without
- Shrouded = Yes
- Sealed = No
- Shape = Rectangular
- UL File Number = E28476
- CSA File Number = LR 7189

**Mechanical Attachment:**

- Panel Mount Retention = Without
- Mating Retention Type = Positive Lock

**Configuration Features:**

- Number of Positions = 24
- Number of Rows = 6
- Number of Columns = 4

**Industry Standards:**

- UL Voltage Rating (VAC) = 250
- [RoHS/ELV Compliance](#) = RoHS compliant, ELV compliant
- [Lead Free Solder Processes](#) = Wave solder capable to 240°C
- RoHS/ELV Compliance History = Always was RoHS compliant
- Agency/Standard = CSA, UL
- UL Rating = Recognized

**Electrical Characteristics:**

- Hot Pluggable = No
- Operating Voltage Reference = AC
- Operating Voltage (VAC) = 250

**Dimensions:**

- Length (X-Axis) (mm [in]) = 21.34 [0.840]
- Width (Z-Axis) (mm [in]) = 33.91 [1.335]
- Profile Height (Y-Axis) (mm [in]) = 12.95 [0.510]

**Body Features:**

- Mating Retention = With
- Row-to-Row Spacing (mm [in]) = 4.19 [0.1649]

**Contact Features:**

- Contact Type = Socket

**Housing Features:**

- Connector Style = Plug
- Housing Color = Brick Red
- Mating Alignment = With
- Centerline (mm [in]) = 4.19 [0.1649]
- Mating Alignment Type = Polarization
- UL Flammability Rating = UL 94V-0

**Environmental:**

- Operating Temperature (°C [°F]) = -55 - +105 [-67 - +221]

**Conditions for Usage:**

- Applies To = Wire/Cable
- Accepts Wire Insulation Diameter, Range (mm [in]) = 2.92 [0.115]

**Operation/Application:**

- Application Use = Wire-to-Board, Wire-to-Board / Wire-to-Panel / Wire-to-Wire, Wire-to-Panel, Wire-to-Wire

**Packaging Features:**

- Packaging Method = Loose Piece

**Other:**

- Brand = AMP

**Corporate Information**

[About TE](#)  
[Investors](#)  
[News Room](#)  
[Supplier Portal](#)  
[Careers](#)  
[Terms & Conditions](#)  
[Privacy Policy](#)

**Quick Links**

[Distributor Inventory](#)  
[Product Cross Reference](#)  
[Documents & Drawings](#)  
[Product Compliance Support Center](#)  
[Site Map](#)

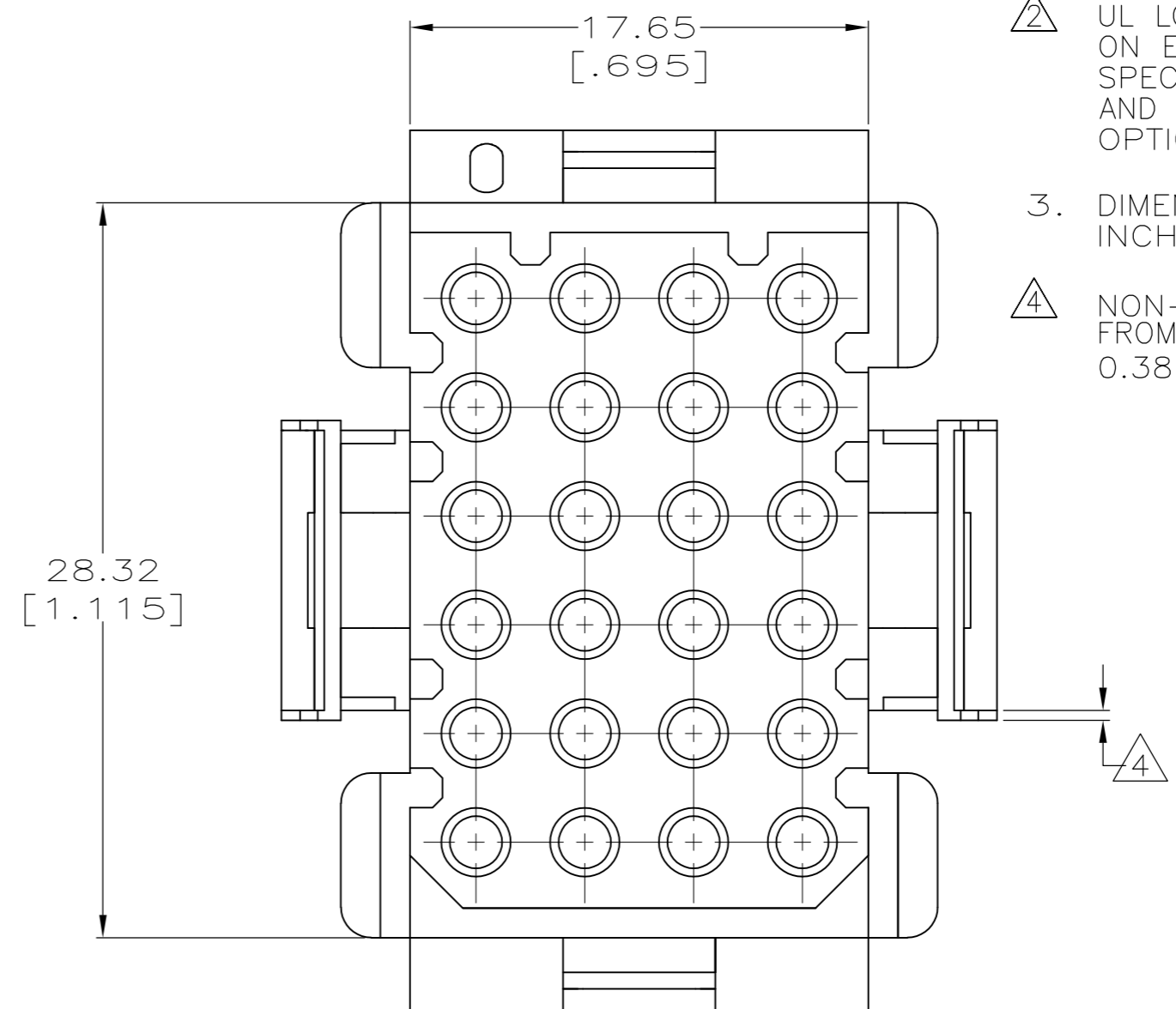
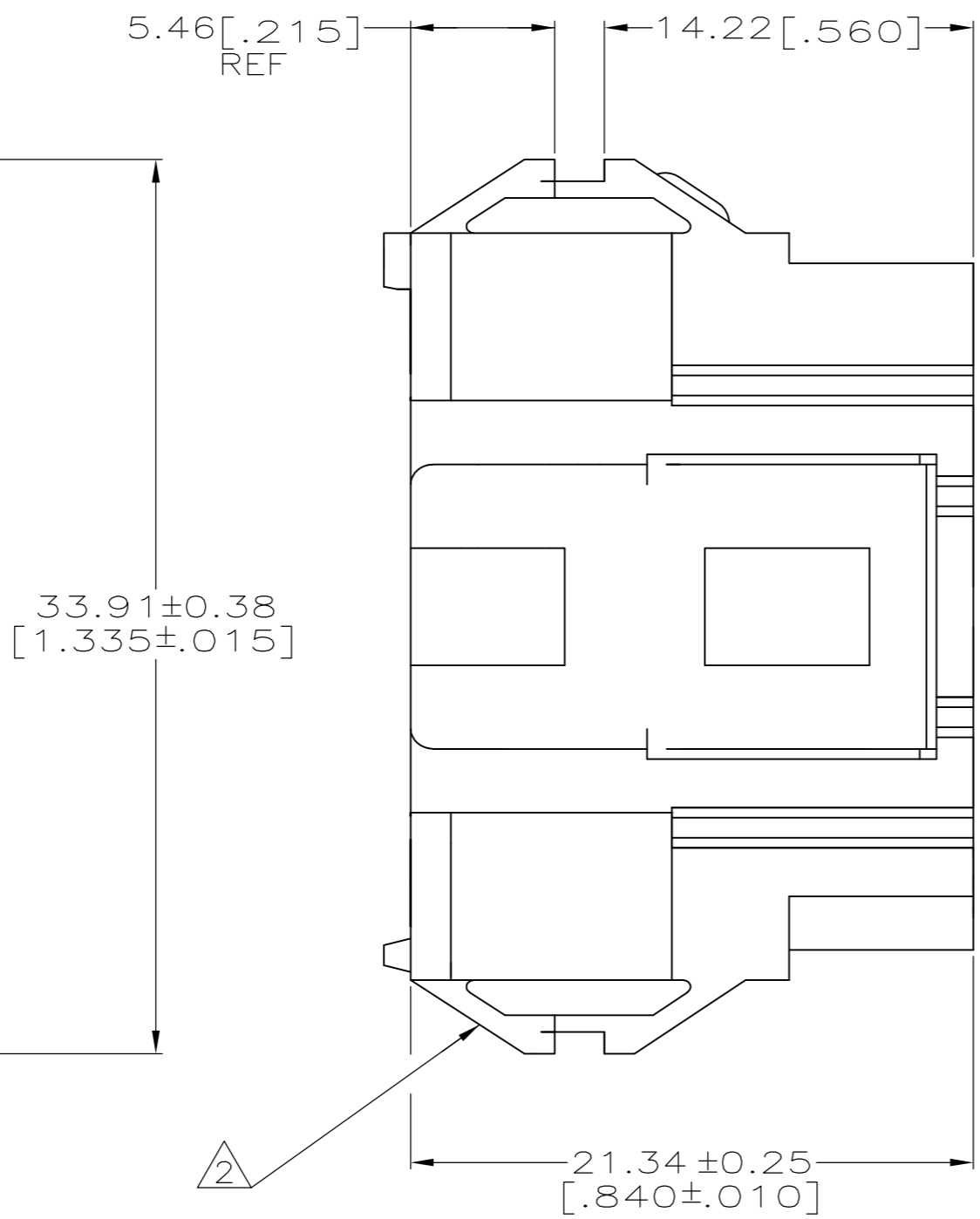
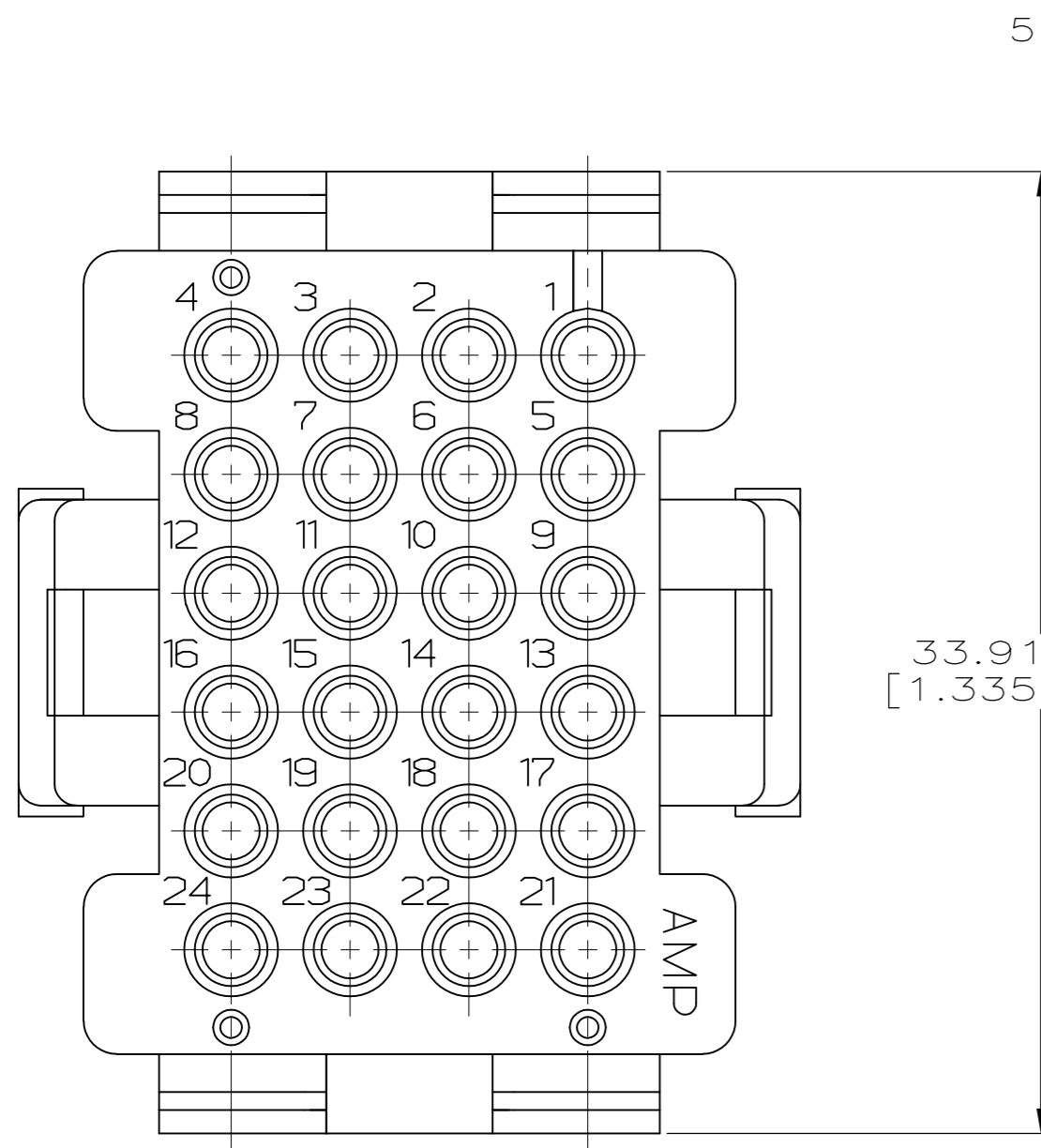
**Customer Support**

[Email or Chat With Us](#)  
[Find a Phone Number](#)  
[Knowledge Base](#)  
[Manage Your Account](#)

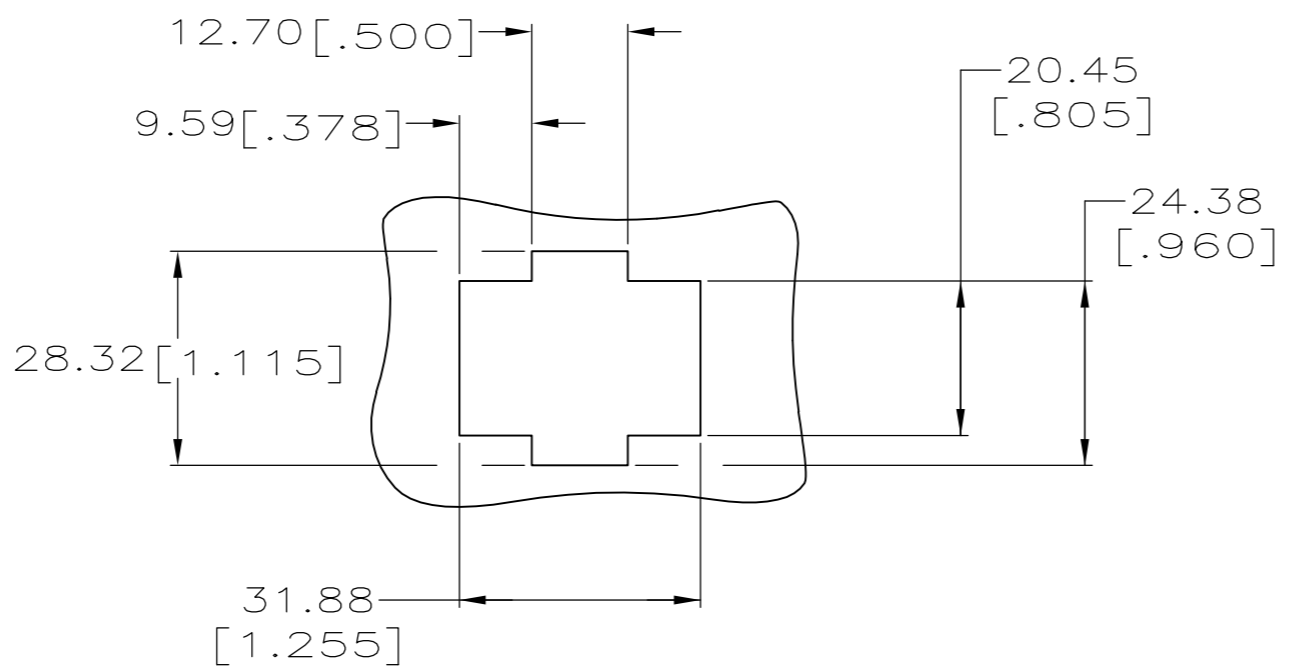
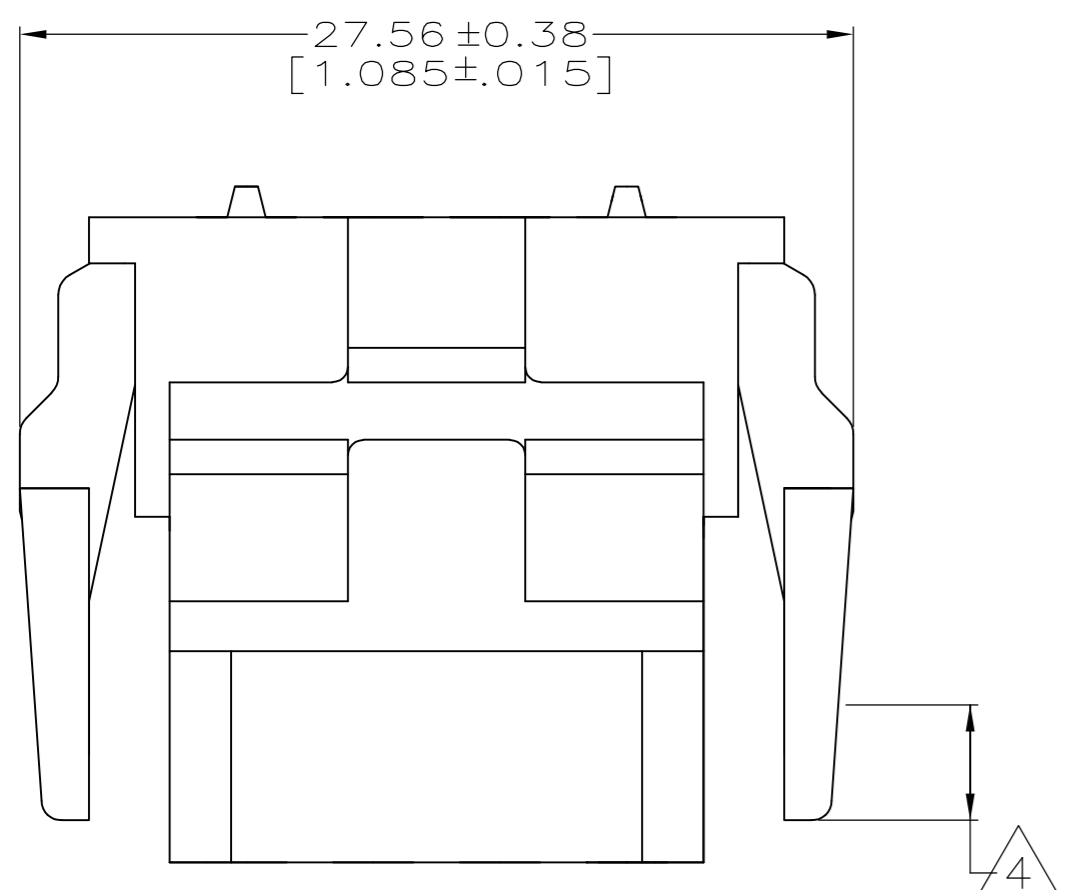
**Keep Me Informed**

THIS DRAWING IS UNPUBLISHED. RELEASED FOR PUBLICATION  
 © COPYRIGHT - By - ALL RIGHTS RESERVED.

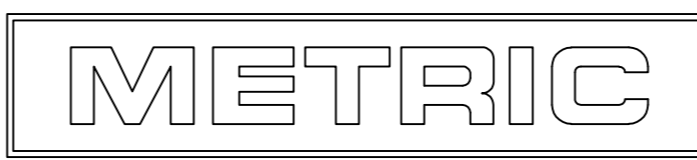
LOC		DIST		REVISIONS			
P	LTR	DESCRIPTION		DATE	DWN	APVD	
CM	52	E1	REVISED PER ECO-11-004917		11MAR11	RK	HMR



- MATES WITH HOUSING 640515.
- UL LOGO AND CSA LOGO TO APPEAR ON EITHER LATCH SURFACE PER AMP SPEC 202-20, I.D. NO. 1-18838-3 AND 1-18839-3. FROST BACKGROUND OPTIONAL.
- DIMENSIONS IN BRACKETS ARE IN INCHES.
- NON-FILL PERMITTED UP TO 3.8 [.15] FROM EDGE OF LATCH ARM ON THE 0.38 [.015] THICK FLANGE, 4 PLC.



RECOMMENDED CUT OUT FOR 1.73 [.068] MAX THICK PANEL SCALE 1:1



1-640525-0  
PART NUMBER

THIS DRAWING IS A CONTROLLED DOCUMENT.		DWN	R. VESTAL	12-01-97		TE Connectivity			
DIMENSIONS: mm [INCHES]		CHK	R. SWING	12-01-97		NAME			
TOLERANCES UNLESS OTHERWISE SPECIFIED:		APVD	A. BEDDICK	12-01-97		HOUSING, PLUG			
0 PLC ± -		PRODUCT SPEC		MRII					
1 PLC ± -		APPLICATION SPEC		24 POSITION					
2 PLC ± 0.13 [.005]		SIZE	A2	CAGE CODE	00779	DRAWING NO	C-640525		
3 PLC ± -		WEIGHT	-	SCALE		4:1	SHEET	1 OF 1	
4 PLC ± -		CUSTOMER DRAWING		REV		E1			
ANGLES ± 0° 30'									
FINISH -									
MATERIAL NYLON, UL 94V-0, NATURAL (BRICK RED)									