

**MTA-156 Connectors** (Continued)

**MTA-156 Receptacle Connector Accessories**

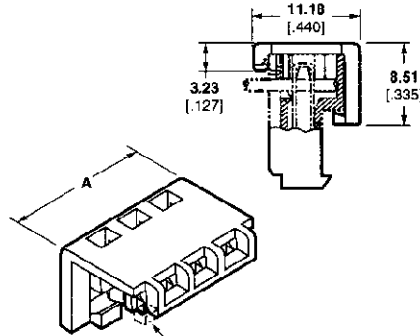
**Closed End Covers**

**Material**

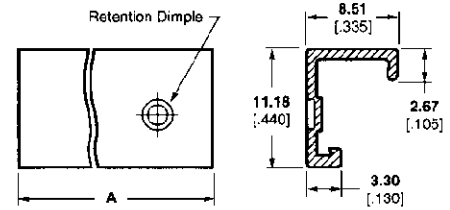
**Strain Relief Covers** — UL94V-2 rated, nylon, white

**Dust Covers** — UL94V-0 rated, polyester, white

**Strain Relief Covers**



**Dust Covers**



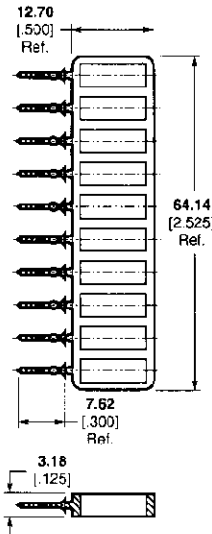
**Keying Plugs**

**Material**

UL94V-2 rated, type 6/6 nylon, natural color

**On Carrier Strip**

**Part No. 641623-1 (Flush)**  
**(10 per strip)**



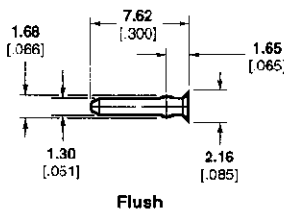
No. of Circuits	Dim. A	Closed End		Feed-Thru	
		Strain Relief Covers	Dust Covers	Strain Relief Covers	Dust Covers
		Part Nos.	Part Nos.	Part Nos.	Part Nos.
2	7.92 [.312]	643067-2	640551-2	643071-2	—
3	11.89 [.468]	643067-3	640551-3	643071-3	640643-3
4	15.85 [.624]	643067-4	640551-4	643071-4	640643-4
5	19.81 [.780]	643067-5	640551-5	643071-5	640643-5
6	23.77 [.936]	643067-6	640551-6	643071-6	640643-6
7	27.74 [1.092]	643067-7	640551-7	—	—
8	31.7 [1.248]	643067-8	640551-8	—	—
9	35.66 [1.404]	643067-9	640551-9	643071-9	—
10	39.62 [1.560]	1-643067-0	1-640551-0	1-643071-0	—
11	43.59 [1.716]	1-643067-1	1-640551-1	—	—
12	47.55 [1.872]	1-643067-2	1-640551-2	1-643071-2	—
13	51.51 [2.028]	1-643067-3	1-640551-3	1-643071-3	—
14	55.47 [2.184]	1-643067-4	1-640551-4	—	—
15	59.44 [2.340]	1-643067-5	—	1-643071-5	—
18	71.32 [2.808]	1-643067-8	—	1-643071-8	—
22	87.17 [3.432]	643067-2	—	—	—

Power

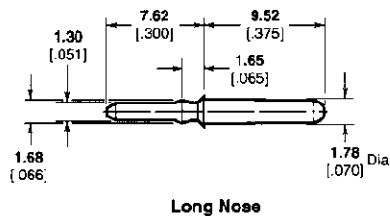
Cabled Power Connectors

**Loose Piece**

**Part No. 640629-1 (Flush)**  
**Used with keyed headers**



**Part No. 640630-1 (Long Nose)**



**Panel Mount End Caps**

**Material**

UL94V-2 rated, nylon, black

