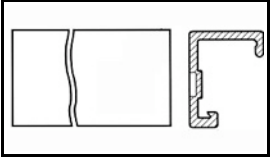


## 1-640551-2 Product Details

[Share](#) [Print](#) [Email](#)



1-640551-2

TE Internal Number: 1-640551-2

Active

[View 3D PDF](#)

### MTA, CST and SL Accessories

Always EU RoHS/ELV Compliant  
(Statement of Compliance)

### Product Highlights:

- Accessory Type = Dust Cover
- Without Panel Mount Retention
- Cover Style = Closed End
- 12 Positions
- Used For MTA-156 Connectors

[View all Features](#)

### Quick Links

- ▶ [Pricing & Availability](#)
- ▶ [Search for Tooling](#)
- ▶ [Product Feature Selector](#)
- ▶ [Contact Us About This Product](#)

[Add to My Part List](#)

[Request Sample](#)

[Find Similar Products](#)

[Buy Product](#)

### Documentation & Additional Information

#### Product Drawings:

- [COVER, MTA 156](#) (PDF, English)

#### Catalog Pages/Data Sheets:

- [MTA, CST-100 II, SL-156 and AMP Economy Power \(EP\) C...](#) (PDF, English)

#### Product Specifications:

- None Available

#### Application Specifications:

- [MTA 156 Ribbon Cable Connector Assemblies \(English A...](#) (PDF, English)
- [MTA 156 Ribbon Cable Connector Assemblies \(English A...](#) (PDF, Japanese)

#### Instruction Sheets:

- None Available

#### CAD Files: (CAD Format & Compression Information)

- [2D Drawing](#) (DXF, Version L)
- [3D Model](#) (IGES, Version L)
- [3D Model](#) (STEP, Version L)

[List all Documents](#)

#### Additional Information:

- [Product Line Information](#)

#### Additional Product Images:

- [Product Photo](#)

#### Related Products:

- [Tooling](#)

### Product Features (Please use the Product Drawing for all design activity)

#### Product Type Features:

- [Accessory Type](#) = Dust Cover
- [Cover Style](#) = Closed End
- [Used For](#) = MTA-156 Connectors
- Color = White

#### Mechanical Attachment:

- Panel Mount Retention = Without

#### Body Features:

- Body Material = Polyester

#### Housing Features:

- UL Flammability Rating = UL 94V-0

#### Configuration Features:

- [Number of Positions](#) = 12

#### Industry Standards:

- [RoHS/ELV Compliance](#) = RoHS compliant, ELV compliant
- [Lead Free Solder Processes](#) = Not relevant for lead free process
- [RoHS/ELV Compliance History](#) = Always was RoHS compliant

#### Other:

- Brand = AMP

### Corporate Information

[About TE](#)  
[Investors](#)  
[News Room](#)  
[Supplier Portal](#)  
[Careers](#)  
[Terms & Conditions](#)  
[Privacy Policy](#)

### Quick Links

[Distributor Inventory](#)  
[Product Cross Reference](#)  
[Documents & Drawings](#)  
[Product Compliance Support Center](#)  
[Site Map](#)

### Customer Support

[Email or Chat With Us](#)  
[Find a Phone Number](#)  
[Knowledge Base](#)  
[Manage Your Account](#)



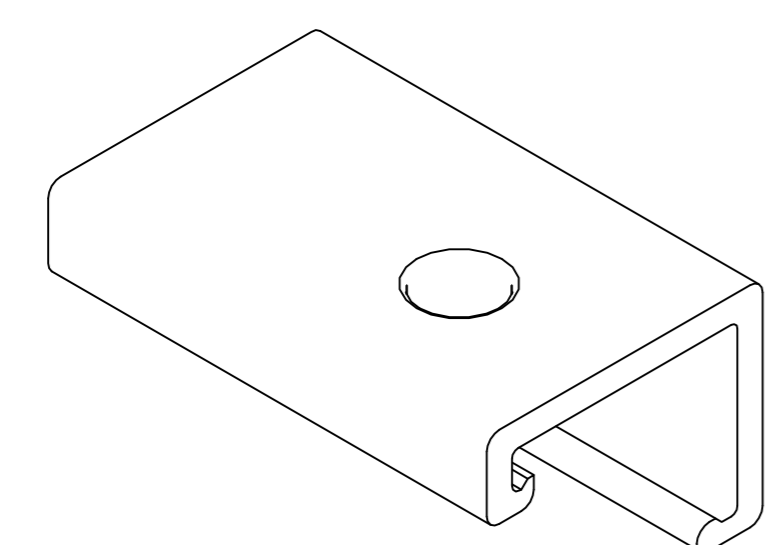
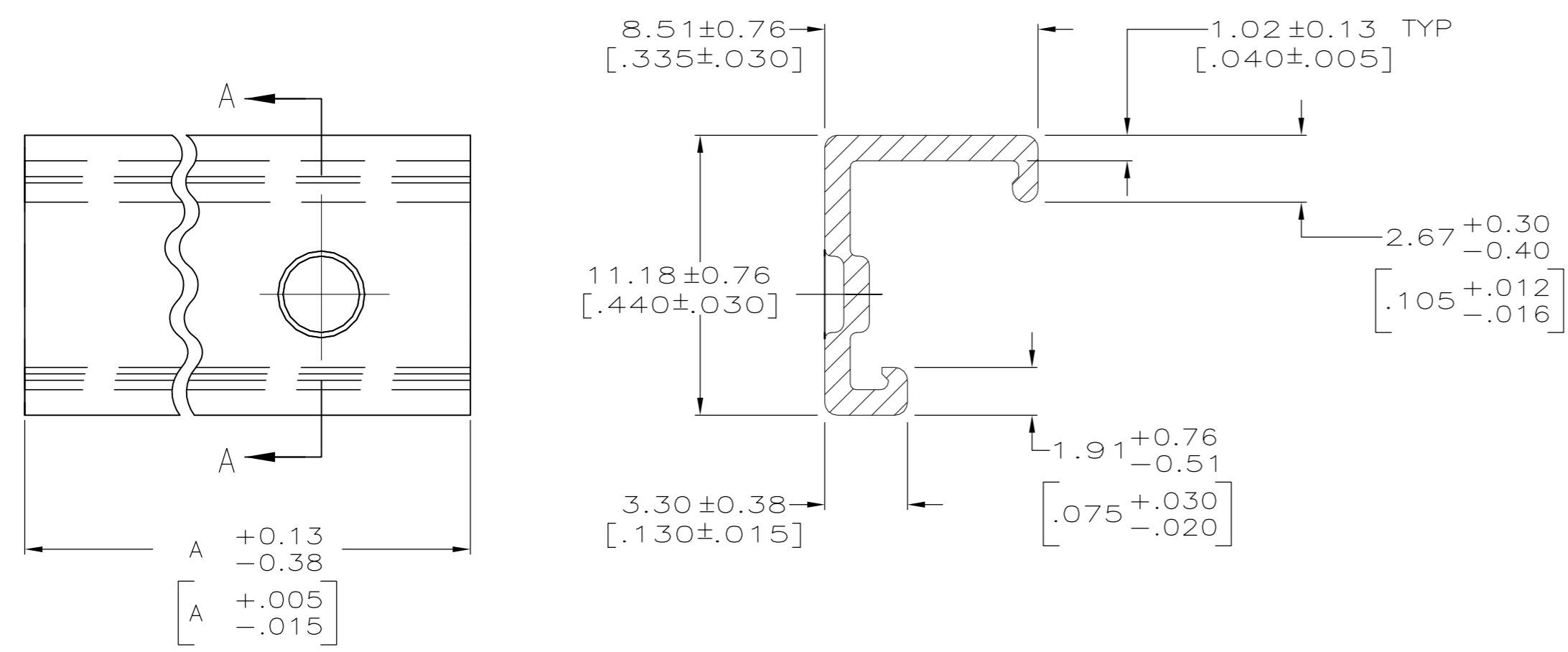
### Keep Me Informed



THIS DRAWING IS UNPUBLISHED. RELEASED FOR PUBLICATION  
 © COPYRIGHT - By - ALL RIGHTS RESERVED.

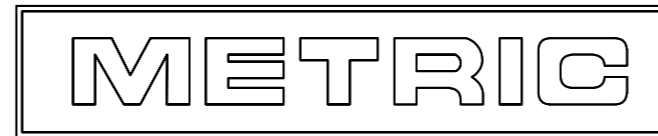
LOC	DIST	REVISIONS			
P	LTR	DESCRIPTION	DATE	OWN	APVD
CM	54				
	L2	REVISED PER ECO-11-016260	11AUG11	JR	SM

1. DIMENSIONS IN BRACKETS ARE IN INCHES.



3-DIMENSIONAL MODEL NTS

24	CIRCUIT ASSY	95.10	[3.744]	2-640551-4
23	CIRCUIT ASSY	91.14	[3.588]	2-640551-3
22	CIRCUIT ASSY	87.17	[3.432]	2-640551-2
21	CIRCUIT ASSY	83.21	[3.276]	2-640551-1
20	CIRCUIT ASSY	79.25	[3.120]	2-640551-0
19	CIRCUIT ASSY	75.29	[2.964]	1-640551-9
18	CIRCUIT ASSY	71.32	[2.808]	1-640551-8
17	CIRCUIT ASSY	67.36	[2.652]	1-640551-7
16	CIRCUIT ASSY	63.40	[2.496]	1-640551-6
15	CIRCUIT ASSY	59.44	[2.340]	1-640551-5
14	CIRCUIT ASSY	55.47	[2.184]	1-640551-4
13	CIRCUIT ASSY	51.51	[2.028]	1-640551-3
12	CIRCUIT ASSY	47.55	[1.872]	1-640551-2
11	CIRCUIT ASSY	43.59	[1.716]	1-640551-1
10	CIRCUIT ASSY	39.62	[1.560]	1-640551-0
9	CIRCUIT ASSY	35.66	[1.404]	640551-9
8	CIRCUIT ASSY	31.70	[1.248]	640551-8
7	CIRCUIT ASSY	27.74	[1.092]	640551-7
6	CIRCUIT ASSY	23.77	[.936]	640551-6
5	CIRCUIT ASSY	19.81	[.780]	640551-5
4	CIRCUIT ASSY	15.85	[.624]	640551-4
3	CIRCUIT ASSY	11.89	[.468]	640551-3
2	CIRCUIT ASSY	7.92	[.312]	640551-2
USED ON MTA 156 CONNECTOR ASSEMBLY AS LISTED		A		PART NO



THIS DRAWING IS A CONTROLLED DOCUMENT.		DWN	T BECK	4-9-91	<b>STE</b> TE Connectivity
		CHK		4-9-91	
DIMENSIONS: MM [INCHES]		TOLERANCES UNLESS OTHERWISE SPECIFIED:		APVD	4-10-91
0 PLC ± -		1 PLC ± -		NAME	
2 PLC ± -		3 PLC ± -		COVER, MTA 156	
4 PLC ± -		ANGLES ± ± -		PRODUCT SPEC	
MATERIAL		FINISH		APPLICATION SPEC	
POLYESTER, UL 94V-0 NATURAL				WEIGHT	
				SIZE	
				CAGE CODE	
				DRAWING NO	
				RESTRICTED TO	
				A2 00779 C-640551	
				CUSTOMER DRAWING	
				SCALE	
				5:1	
				SHEET	
				1 OF 1	
				REV	
				L2	