

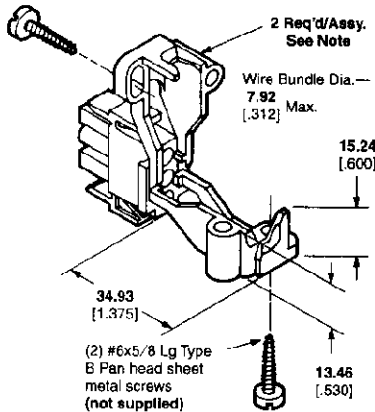


# Universal MATE-N-LOK Connectors (Continued)

## Housing Strain Reliefs

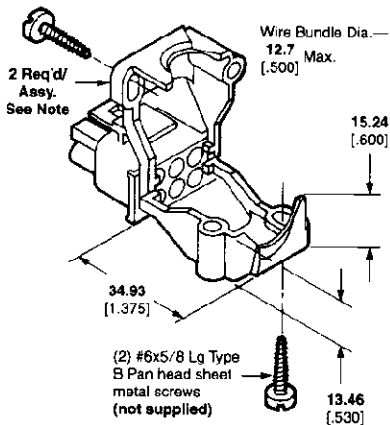
### Plug Housing Strain Reliefs

2, 3, 4, 5, 6 and 8 Circuit,  
 In-Line



**Part Numbers**  
 1-350599-0  
**Material** — Nylon, UL 94V-2, natural color  
 350811-1  
**Material** — Nylon, UL 94V-0

6, 9, 12 and 15 Circuit,  
 Matrix

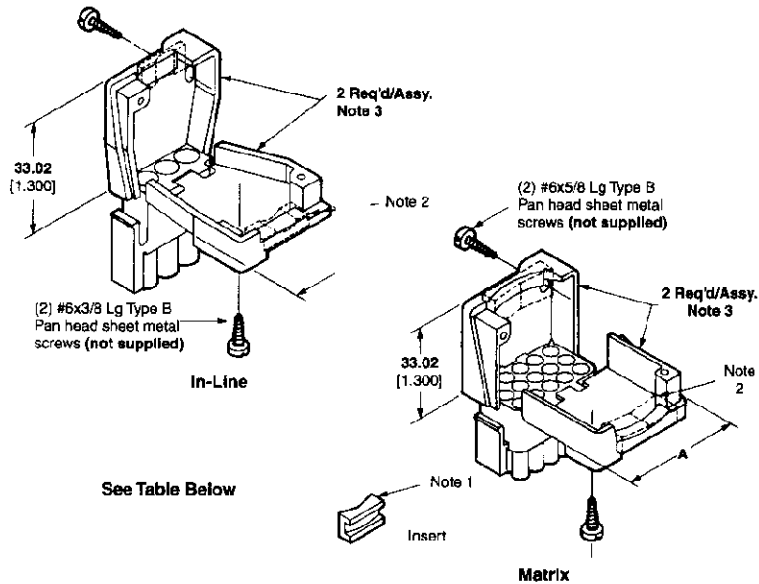


**Part Numbers**  
 1-350590-0  
**Material** — Nylon, UL 94V-2, natural color  
 350812-1  
**Material** — Nylon, UL 94V-0

**Note:** Strain relief part number represents one half of a strain relief. Two strain reliefs required per housing.

### Plug or Cap Housing Strain Reliefs

2, 3, 4, 5, 6, 8, 9, 12 and 15 Circuit (Enclosed)



Style	Number of Circuits	Insert Supplied	Single Wire Dia. Range	Wire Bundle Dia. Range	Part Numbers (Enclosed)	
					UL 94V-2 Nylon, Natural Color	UL 94V-0 Nylon
In-Line	2	Yes	1.02-4.83 .040-.190	—	1-640719-0	640713-1
		No	—	5.08-8.89 .200-.350	1-640719-1	640713-2
	3	Yes	1.02-4.83 .040-.190	—	1-640720-0	640714-1
		No	—	5.08-8.89 .200-.350	641763-1	641945-1
	4	Yes	1.02-4.83 .040-.190	—	641775-1	641776-1
		No	—	5.08-8.89 .200-.350	641775-2	641776-2
	5	Yes	1.02-4.83 .040-.190	—	643030-3	643030-1
		No	—	5.08-8.89 .200-.350	643030-2	643030-4
	6	No	—	5.08-8.89 .200-.350	—	643313-2
	8	Yes	1.02-4.83 .040-.190	—	—	643314-1
Matrix	6	Yes	—	3.05-16.51 .120-.650	1-640721-0	640715-1
	9	Yes	—	3.05-16.51 .120-.650	1-640722-0	640716-1
	12	Yes	—	3.81-19.05 .150-.750	1-640723-0	640717-1
	15	Yes	—	5.08-21.59 .200-.850	1-640724-0	640718-1

**Notes:**

1. Cable clamping insert comes attached to strain relief. It can be used to provide additional adjustment for small wire bundles or discarded.
2. Insert to be positioned as shown by dotted lines.
3. Strain relief part number represents one-half of a strain relief. Two strain reliefs required per housing.
4. Must use cap housing adapters when attaching strain reliefs to a cap housing. Two adapters required per housing.
5. Strain reliefs for 6 and 8 position In-Line fits plug housings only.