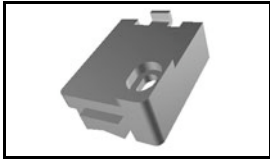


## 1-640721-0 Product Details

[Share](#) [Print](#) [Email](#)




1-640721-0

TE Internal Number: 1-640721-0

 Active

[View 3D PDF](#)

### Soft Shell - Accessories

-  Always EU RoHS/ELV Compliant  
(Statement of Compliance)

### Product Highlights:

- Accessory Type = Strain Relief
- Universal MATE-N-LOK
- Nylon Housing Material
- Color = Natural
- Number of Circuits = 6

[View all Features](#)

### Quick Links

- ▶ [Pricing & Availability](#)
- ▶ [Search for Tooling](#)
- ▶ [Product Feature Selector](#)
- ▶ [Contact Us About This Product](#)

[Add to My Part List](#)

[Request Sample](#)

[Find Similar Products](#)

[Buy Product](#)

### Documentation & Additional Information

#### Product Drawings:

- [STRAIN-RELIEF AND INSERT, 6 CIRCUIT, UNIVERSAL MATE-... \(PDF, English\)](#)

#### Catalog Pages/Data Sheets:

- [SOFT\\_SHELL\\_PIN\\_SOCKET\\_CONNECTORS\\_STANDARD\\_DENSITY \(PDF, English\)](#)

#### Product Specifications:

- None Available

#### Application Specifications:

- None Available

#### Instruction Sheets:

- [Universal MATE-N-LOK Strain Relief Assemblies and Ke... \(PDF, English\)](#)
- [Universal MATE-N-LOK Connectors \(PDF, English\)](#)

#### CAD Files: (CAD Format & Compression Information)

- [2D Drawing \(DXF, Version D\)](#)
- [3D Model \(IGES, Version D\)](#)
- [3D Model \(STEP, Version D\)](#)

[List all Documents](#)

#### Related Products:

- [Tooling](#)

### Product Features (Please use the Product Drawing for all design activity)

#### Product Type Features:

- Accessory Type = Strain Relief
- Connector Line = Universal MATE-N-LOK
- Color = Natural

#### Body Features:

- Insert Supplied = Yes
- Wire Diameter Range (mm [in]) = 3.05 - 16.51 [0.120 - 0.650]

#### Contact Features:

- Contact Layout = Matrix

#### Housing Features:

- Housing Material = Nylon

#### Configuration Features:

- Number of Circuits = 6

#### Industry Standards:

- [RoHS/ELV Compliance](#) = RoHS compliant, ELV compliant
- [Lead Free Solder Processes](#) = Not relevant for lead free process
- [RoHS/ELV Compliance History](#) = Always was RoHS compliant

#### Other:

- Brand = AMP
- Comment = Must use cap housing adapters when attaching strain reliefs to a cap housing. Two

- UL Flammability Rating = UL 94V-2

adapters required per housing.; Strain relief part number represents one half of a strain relief. Two of a part number are required per connector.

---

### Corporate Information

[About TE](#)  
[Investors](#)  
[News Room](#)  
[Supplier Portal](#)  
[Careers](#)  
[Terms & Conditions](#)  
[Privacy Policy](#)

### Quick Links

[Distributor Inventory](#)  
[Product Cross Reference](#)  
[Documents & Drawings](#)  
[Product Compliance Support Center](#)  
[Site Map](#)

### Customer Support

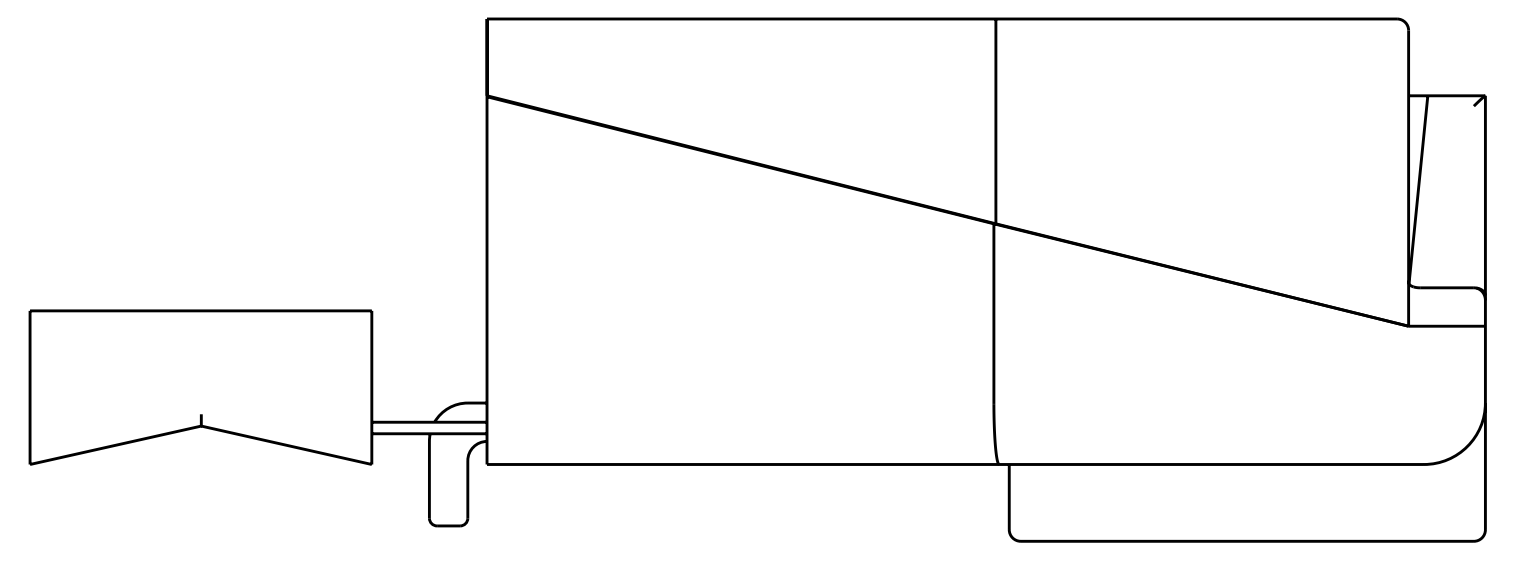
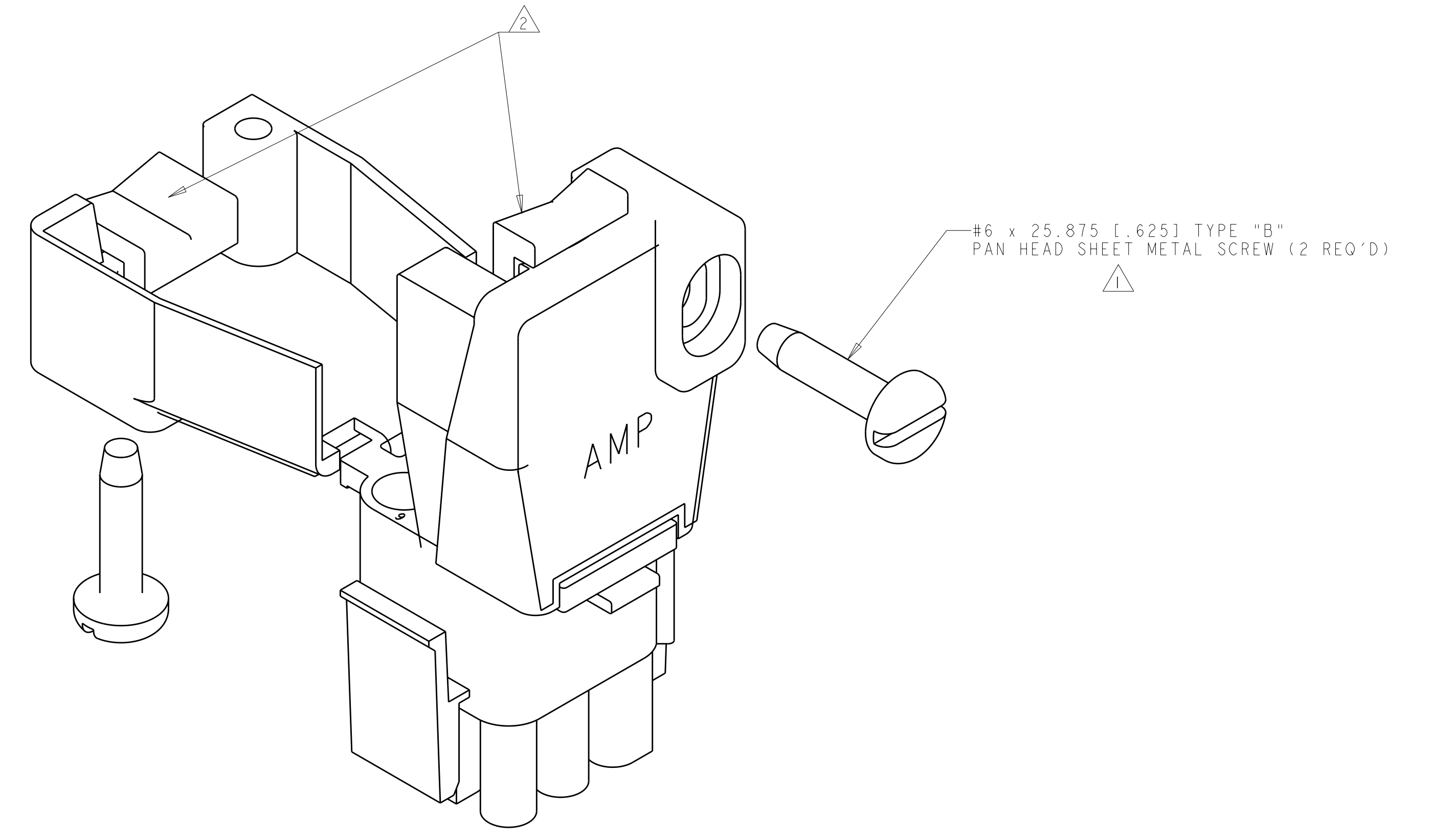
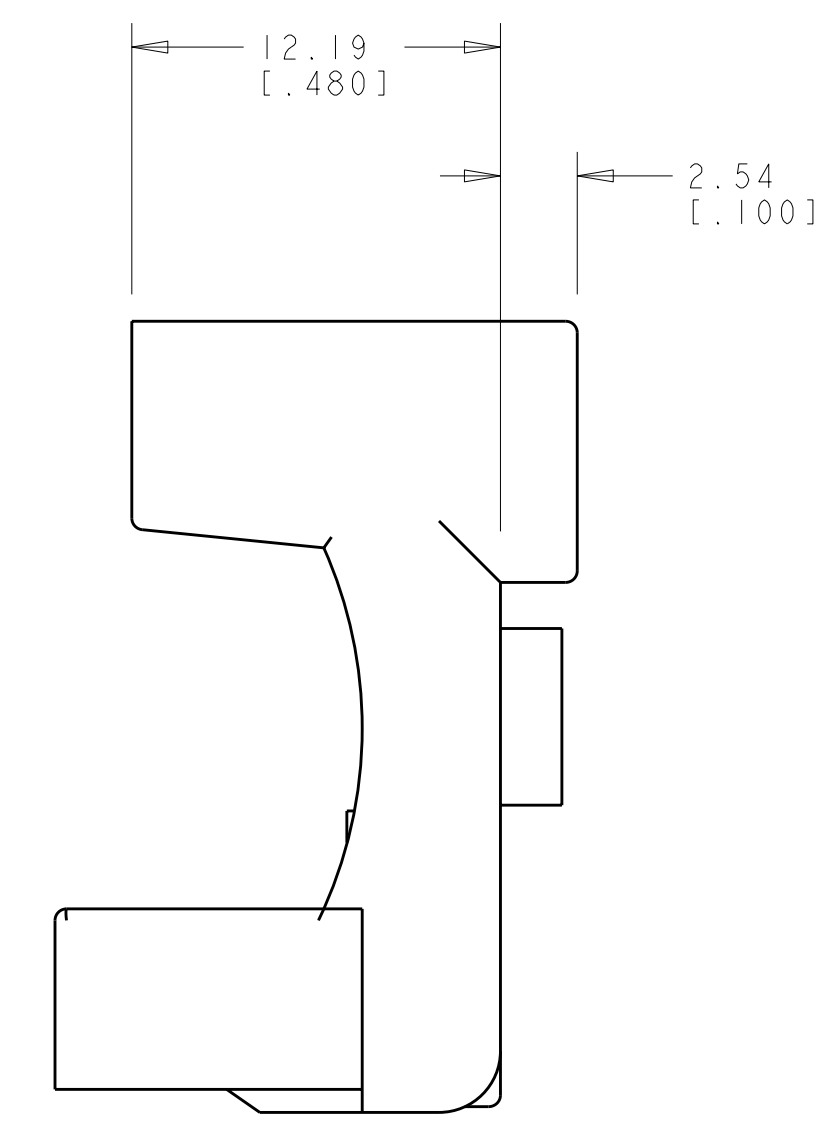
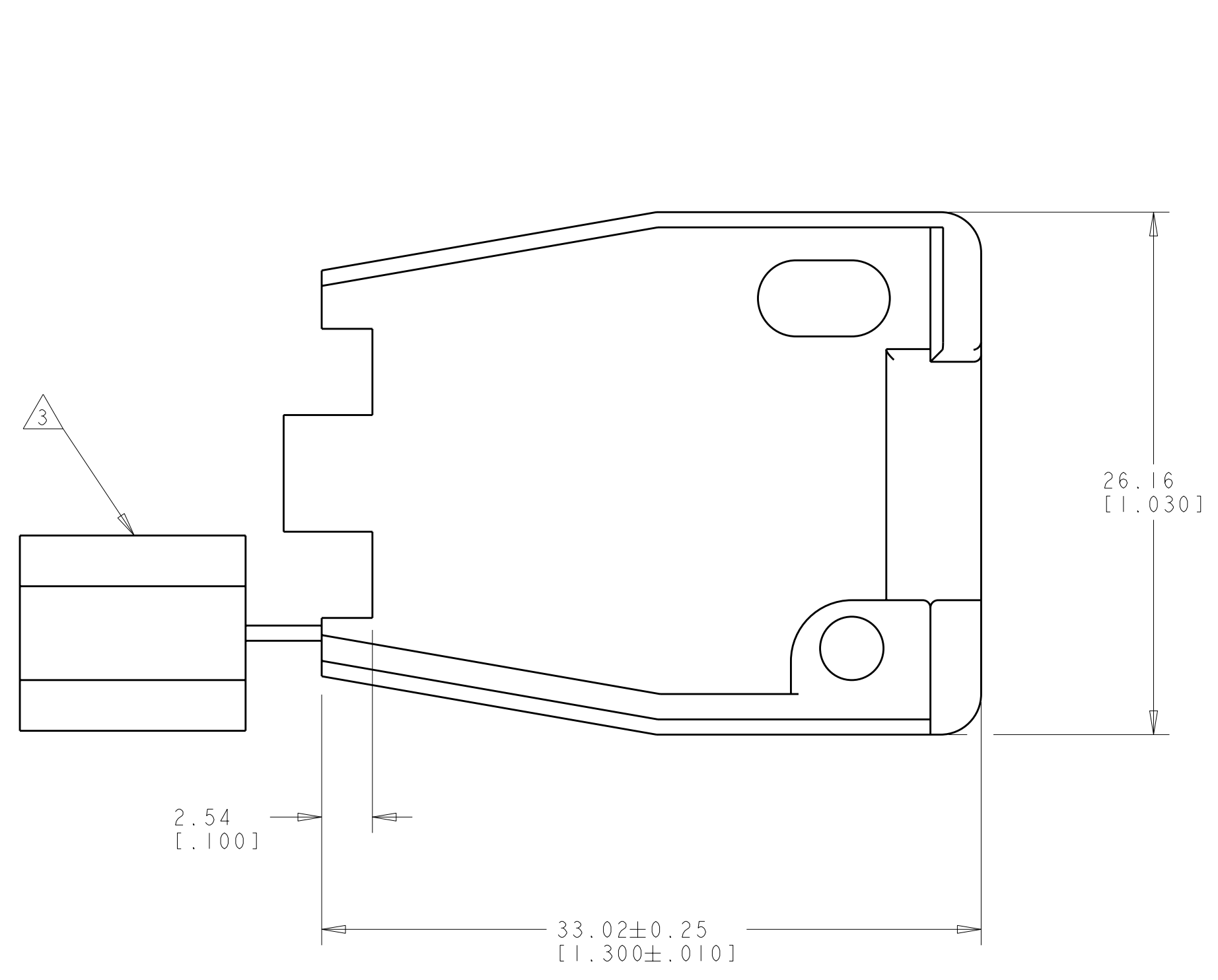
[Email or Chat With Us](#)  
[Find a Phone Number](#)  
[Knowledge Base](#)  
[Manage Your Account](#)

### Keep Me Informed



LOC	DIST	REVISIONS			
CM	00	REV	DATE	DWN	APVD
		D1	REVISED PER ECO-11-005027	18MAR2011	RK HMR

- 1. SHEET METAL SCREWS NOT SUPPLIED.
- 2. INSERT IS ATTACHED TO STRIN RELIEF AS AN ADDITIONAL ADJUSTMENT FOR SMALL WIRE BUNDLES. IT SHOULD BE CUT OFF AND POSTIONED AS SHOWN.
- 3. TWO REQUIRED PER CONNECTOR.
- 4. DETACHABLE INSERT MAY SEPARATE FROM STRAIN RELIEF BODY DURING SHIPPING.



COLOR	MATERIAL	PART NUMBER
BLACK	NYLON UL94V-2	1-640721-9
NATURAL	NYLON UL94V-2	1-640721-0



THIS DRAWING IS A CONTROLLED DOCUMENT.

DWN: R. WHITAKER 05DEC2003  
 CHK: S. RIDGILL 05DEC2003  
 APVD: S. RIDGILL 05DEC2003

STRAIN-RELIEF AND INSERT, 6 CIRCUIT, UNIVERSAL MATE-N-LOK(TM)

SCALE: 4:1 SHEET 1 OF 1 REV: D1

CUSTOMER DRAWING