

Part Number 1643906-1

Product Specifications

Materials

Insulator: Polyester, UL 94V-0
Crown Band: Beryllium copper alloy, selectively plated with gold (30 µin minimum), over nickel
Crown Holder: Copper alloy

Electrical

Current Rating, Steady State: Nickel plated solid tab: 300 Amp maximum; 200 Amp at 30°C maximum temperature rise

Current Rating, Hot Plug: Gold plated solid tab: 200 Amp maximum, 42V; 100 Amp maximum, 48V

Mechanical

Insertion Force: 10.0 lbs (4.54 Kg) maximum

Extraction Force: 5.0 lbs (2.72 Kg) minimum

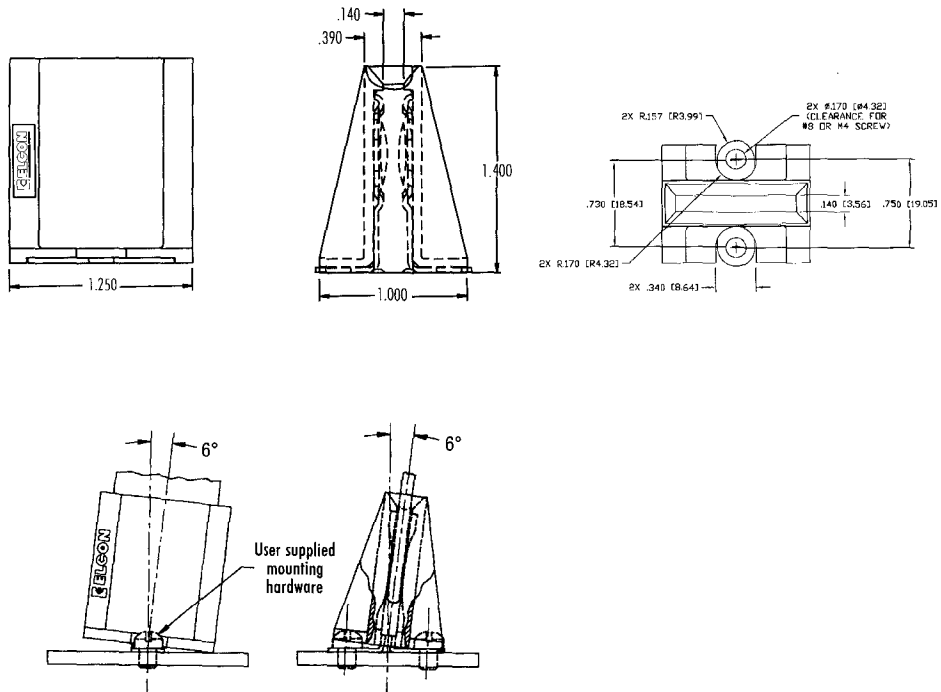
Original CROWN CLIP Sockets

Single Pole, Float Mount Socket design delivers 300 Amp current capability plus current interruption

Float mount design provides alignment for blind mating of rack-mounted power supply units. Parallel cantilever design contacts include

ELCON CROWN BAND contact elements to ensure low voltage drop and heat generation, plus consistent insertion and extraction forces. Current interruption ratings are 100A at 48V and 200A at 42V, both using a gold plated, solid tab.

Customer Drawing available upon request.



**CROWN CLIP Sockets
Electrical Performance**

The graph at right shows the electrical performance of CROWN CLIP Sockets in terms of temperature rise and volt-age drop at currents from 150 Amps to 350 Amps. The set up used for the test had six CROWN CLIP Socket samples mounted on a .25" x 1.75" x 6.0" bus bar, mating with 1.0" long by .125" thick nickel plated blades connected in series using 1/0 AWG wire.

