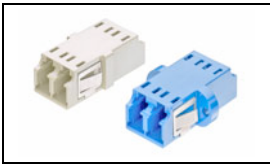


1-6457567-4 Product Details

[Share](#) [Print](#) [Email](#)



1-6457567-4

TE Internal Number: 1-6457567-4
✔ Active

[View 3D PDF](#)

LC Connectors and Adapters

✔ Always EU RoHS/ELV Compliant (Statement of Compliance)

Product Highlights:

- Coupling Adapter
- Multimode
- Ceramic Alignment Sleeve Material
- Color = Aqua
- Adapter Style = Duplex

[View all Features](#)

Quick Links

- ▶ [Pricing & Availability](#)
- ▶ [Search for Tooling](#)
- ▶ [Product Feature Selector](#)
- ▶ [Contact Us About This Product](#)

[Add to My Part List](#) [Request Sample](#) [Find Similar Products](#) [Buy Product](#)

Documentation & Additional Information

Product Drawings:

- [ADAPTER, DUPLEX LC, SR-SR, SC ENVELOPE \(PDF, English\)](#)

Catalog Pages/Data Sheets:

- [Fiber Optic Catalog - Fiber Optic Products \(PDF, English\)](#)

Product Specifications:

- None Available

Application Specifications:

- None Available

Instruction Sheets:

- None Available

CAD Files: [\(CAD Format & Compression Information\)](#)

- [2D Drawing \(DXF, Version F\)](#)
- [3D Model \(IGES, Version F\)](#)
- [3D Model \(STEP, Version F\)](#)

[List all Documents](#)

Related Products:

- [Tooling](#)

Product Features (Please use the Product Drawing for all design activity)

Product Type Features:

- [Product Type](#) = Coupling Adapter
- [Color](#) = Aqua

Mechanical Attachment:

- [Adapter Style](#) = Duplex
- [Panel Cutout](#) = SC Cutout
- [Flanged](#) = No

Body Features:

- [Alignment Sleeve Material](#) = Ceramic

Configuration Features:

- [Mode](#) = Multimode

Industry Standards:

- [RoHS/ELV Compliance](#) = RoHS compliant, ELV compliant
- [Lead Free Solder Processes](#) = Not relevant for lead free process
- [RoHS/ELV Compliance History](#) = Always was RoHS compliant

Operation/Application:

- [SECURE](#) = No

Product Availability:

- [Region](#) = Not Specified

Other:

- [Brand](#) = TE Connectivity
- [Comment](#) = One Piece Housing.

Corporate Information

- [About TE](#)
- [Investors](#)
- [News Room](#)
- [Supplier Portal](#)
- [Careers](#)
- [Terms & Conditions](#)
- [Privacy Policy](#)

Quick Links

- [Distributor Inventory](#)
- [Product Cross Reference](#)
- [Documents & Drawings](#)
- [Product Compliance Support Center](#)
- [Site Map](#)

Customer Support

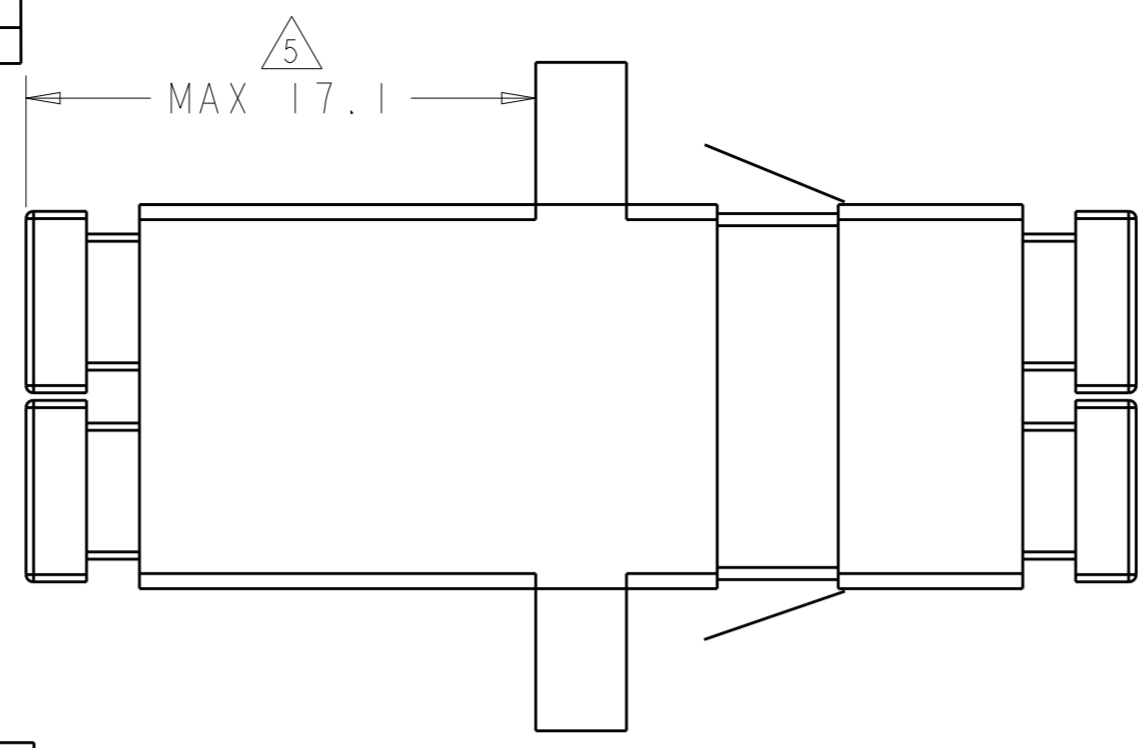
- [Email or Chat With Us](#)
- [Find a Phone Number](#)
- [Knowledge Base](#)
- [Manage Your Account](#)



Keep Me Informed

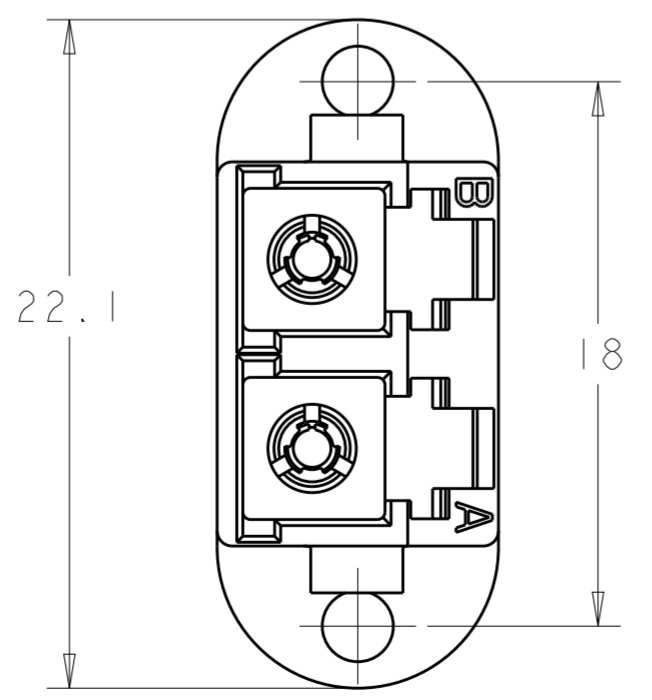
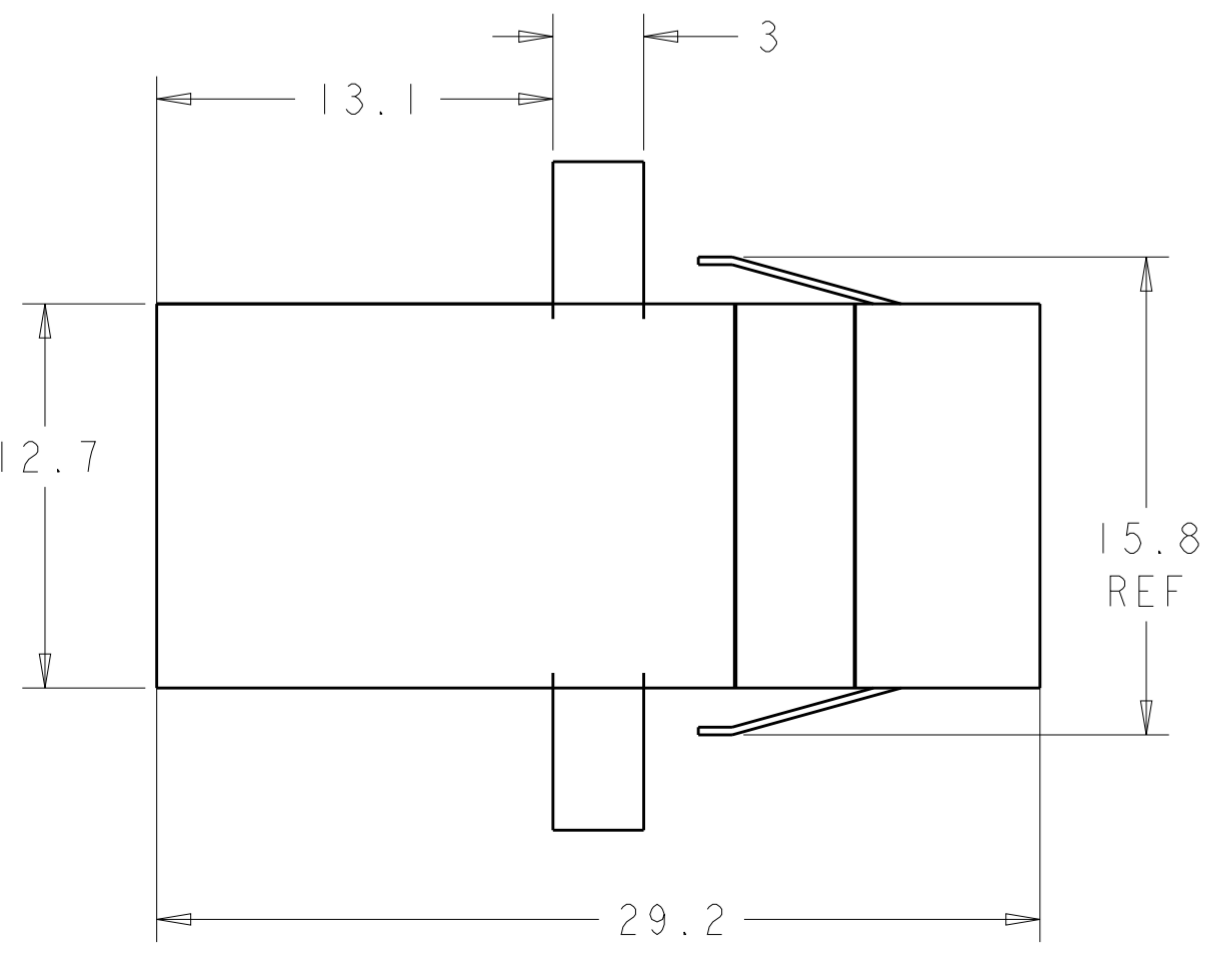
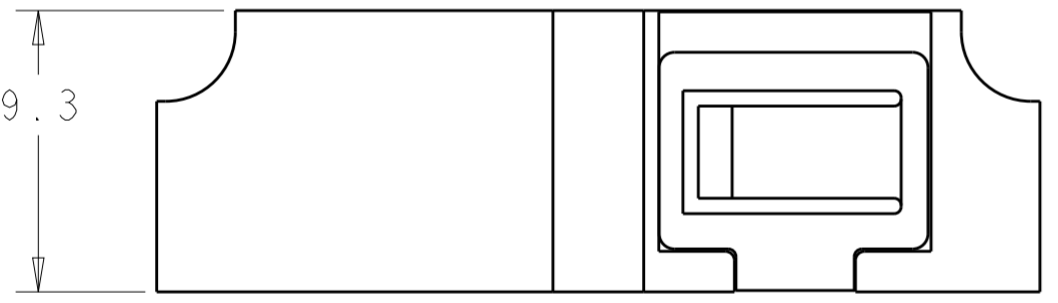
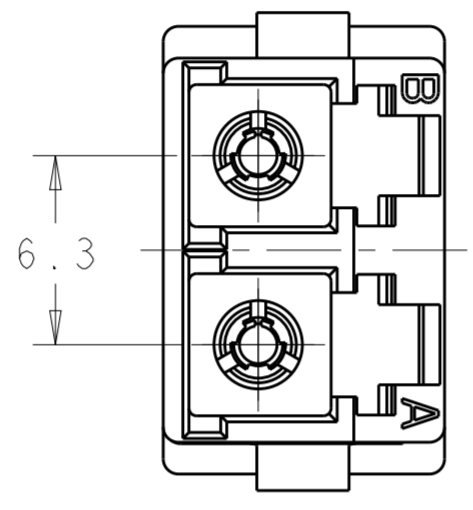
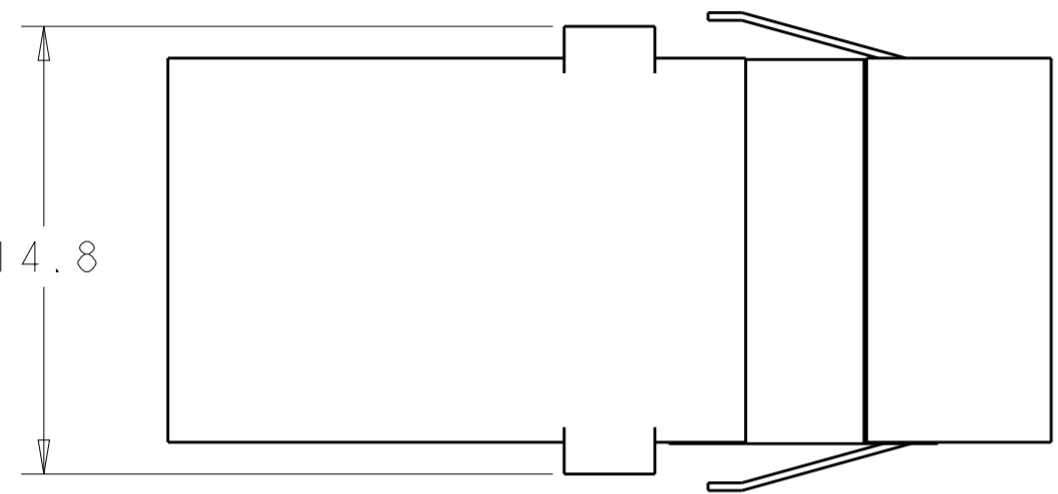
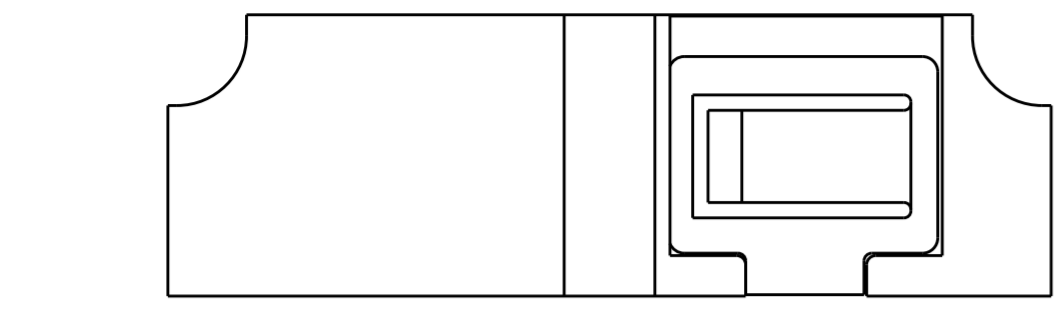
THIS DRAWING IS UNPUBLISHED. RELEASED FOR PUBLICATION
 © COPYRIGHT - ALL RIGHTS RESERVED.

| LOC | | DIST | | REVISIONS | | | |
|-----|-----|-------------|-----------------------------|-----------|------|----|--|
| P | LTR | DESCRIPTION | DATE | DWN | APVD | | |
| HG | - | F1 | REVISE PER ECR-10-005865 | 26MAR2010 | IL | CT | |
| | | F2 | REVISE PER ECR-10-024519 | 06MAY2011 | LL | CT | |
| | | F3 | ADD NEW DASH 2-6 | 15MAY2013 | SW | RZ | |
| | | F4 | ADD LENGTH WITH CAP FOR 2-6 | 19JUN2013 | SW | RZ | |



1 MATERIAL:
 HOUSING: THERMOPLASTIC, UL 94-V0
 PROTECTIVE PLUGS: THERMOPLASTIC ELASTOMER
 ALIGNMENT SLEEVES: SEE TABLE
 RETENTION CLIP: SST

- 2. DUPLEX PROTECTIVE PLUGS ARE SUPPLIED, NOT SHOWN.
- 3. RETENTION CLIP IS NOT INCLUDED.
- 4. ADAPTER HAS A LOGO.
- 5. THE DIMENSION IS ONLY FOR 2-6457567-6.



| 5 | 3 | SLEEVE MAT'L | HOUSING COLOR | DESCRIPTION | PART NUMBER |
|---|---|--------------|---------------|-------------|-------------|
| 5 | 3 | CERAMIC | BLUE | FLANGED | 2-6457567-6 |
| 4 | 4 | CERAMIC | BEIGE | FLANGED | 2-6457567-5 |
| 4 | 4 | CERAMIC | BLUE | FLANGED | 2-6457567-4 |
| 4 | 4 | CERAMIC | BEIGE | FLANGELESS | 2-6457567-3 |
| 4 | 4 | CERAMIC | BLUE | FLANGELESS | 2-6457567-2 |
| | | METAL | BLACK | FLANGED | 2-6457567-1 |
| | | METAL | AQUA | FLANGED | 2-6457567-0 |
| | | METAL | BLACK | FLANGELESS | 1-6457567-9 |
| | | METAL | AQUA | FLANGELESS | 1-6457567-8 |
| | | CERAMIC | BLACK | FLANGED | 1-6457567-7 |
| | | CERAMIC | AQUA | FLANGED | 1-6457567-6 |
| | | CERAMIC | BLACK | FLANGELESS | 1-6457567-5 |
| | | CERAMIC | AQUA | FLANGELESS | 1-6457567-4 |
| | | METAL | BLUE | FLANGED | 1-6457567-3 |
| 3 | 3 | CERAMIC | BLUE | FLANGELESS | 1-6457567-2 |
| 3 | 3 | CERAMIC | BEIGE | FLANGELESS | 1-6457567-1 |
| 3 | 3 | CERAMIC | BLUE | FLANGED | 1-6457567-0 |
| 3 | 3 | CERAMIC | BEIGE | FLANGED | 6457567-9 |
| | | METAL | BEIGE | FLANGED | 6457567-8 |
| | | METAL | BEIGE | FLANGELESS | 6457567-7 |
| | | CERAMIC | GREEN | FLANGED | 6457567-6 |
| | | CERAMIC | BEIGE | FLANGED | 6457567-5 |
| | | CERAMIC | BLUE | FLANGED | 6457567-4 |
| | | CERAMIC | GREEN | FLANGELESS | 6457567-3 |
| | | CERAMIC | BEIGE | FLANGELESS | 6457567-2 |
| | | CERAMIC | BLUE | FLANGELESS | 6457567-1 |

SUPERSEDED BY:
2125019-2

SUPERSEDED BY:
2125019-1

THIS DRAWING IS A CONTROLLED DOCUMENT.

DWN: E. HOPKINS 03 JUN 2005
 CHK: D. ROHDE 03 JUN 2005
 APVD: S. BUCHTER 03 JUN 2005

TE Connectivity

NAME: ADAPTER, DUPLEX LC, SR-SR, SC ENVELOPE

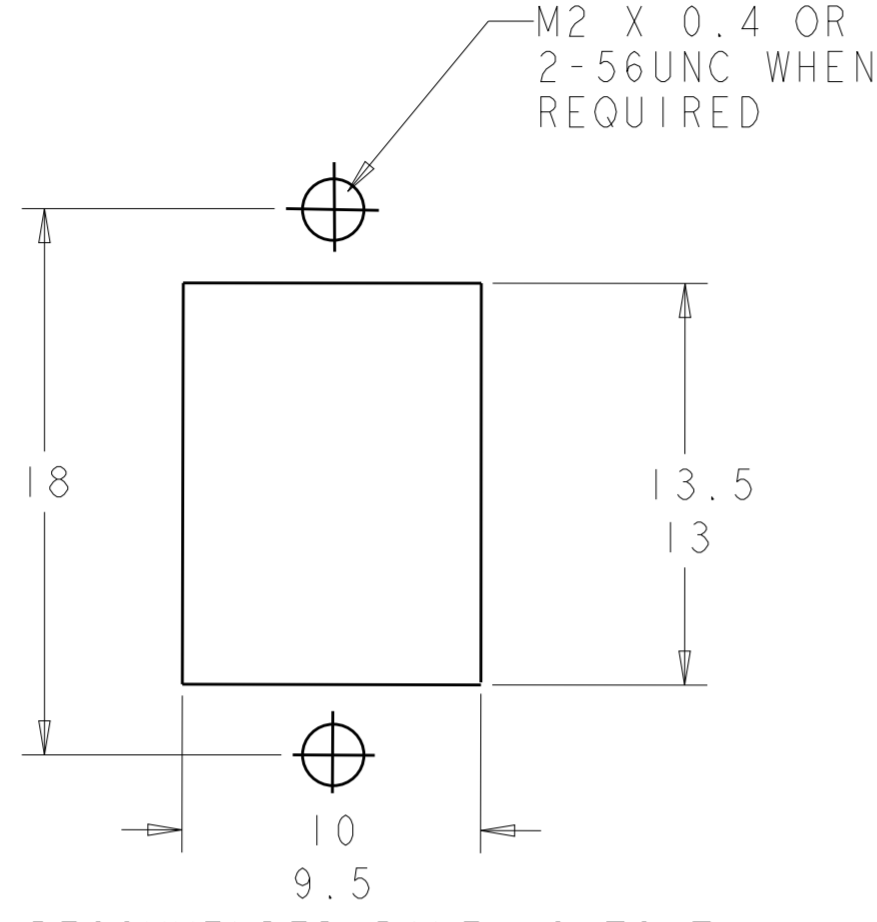
SIZE: A2 CAGE CODE: DRAWING NO: C-6457567 RESTRICTED TO: -

MATERIAL: - DIMENSIONS: mm TOLERANCES UNLESS OTHERWISE SPECIFIED: 0 PLC ±0.1 1 PLC ±0.1 2 PLC ±0.1 3 PLC ± 4 PLC ± ANGLES ± FINISH ±

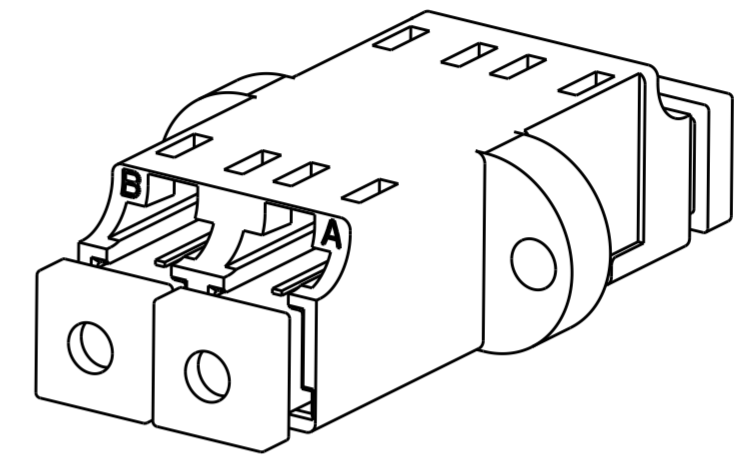
CUSTOMER DRAWING SCALE: 4:1 SHEET 1 OF 2 REV F4

THIS DRAWING IS UNPUBLISHED. RELEASED FOR PUBLICATION
 © COPYRIGHT - ALL RIGHTS RESERVED.

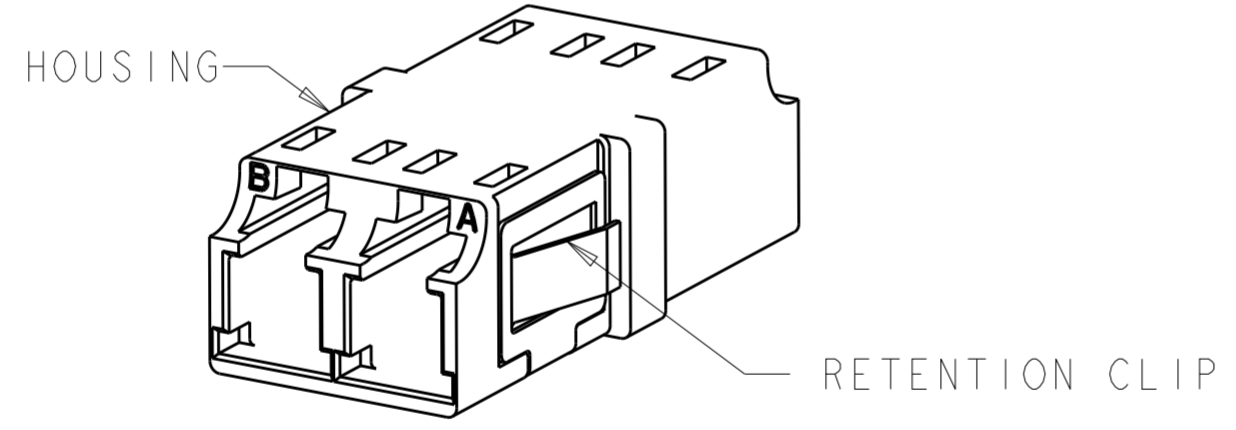
| LOC | | DIST | | REVISIONS | | | |
|-----|-----|-------------|------|-----------|------|--|--|
| P | LTR | DESCRIPTION | DATE | DWN | APVD | | |
| - | - | SEE SHEET 1 | - | - | - | | |
| | | | | | | | |
| | | | | | | | |



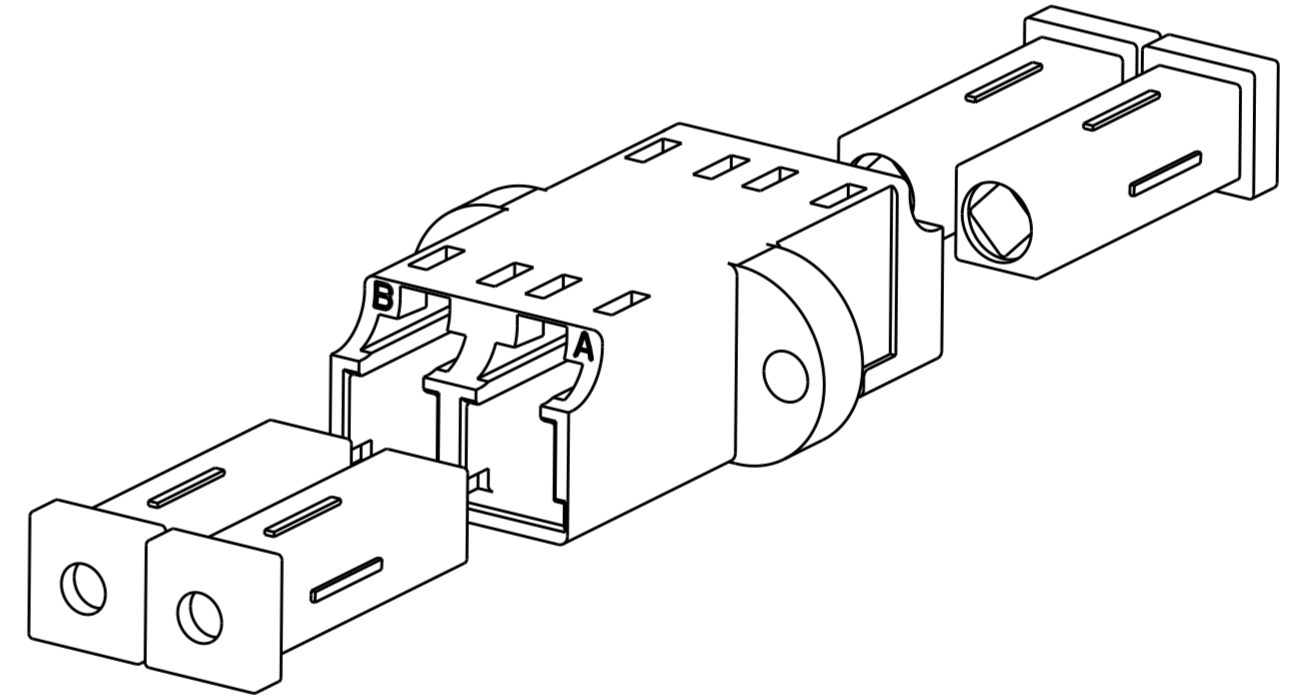
RECOMMENDED PANEL CUTOUT
 MAX PANEL THK 1.7



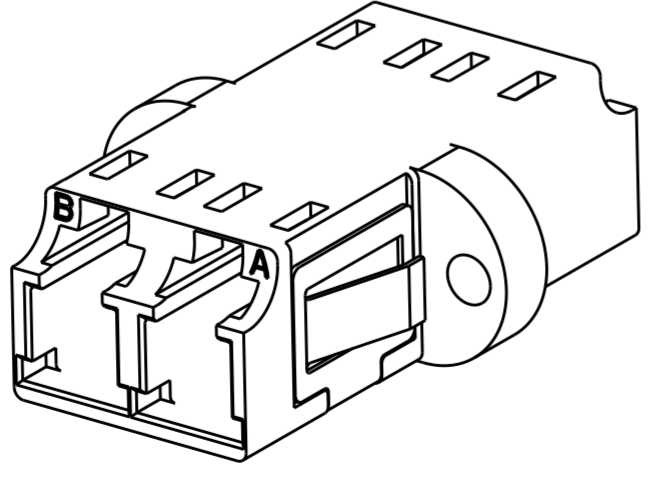
2-6457567-6 IS SHOWN
 SCALE 3:1



FLANGELESS
 SCALE 3:1



2-6457567-6 EXPLODE VIEW IS SHOWN
 SCALE 3:1



FLANGED
 SCALE 3:1

| | | | | |
|--|--|-----------------------------------|---|------------------------|
| THIS DRAWING IS A CONTROLLED DOCUMENT. | | DWN E. HOPKINS 03 JUN 2005 | TE Connectivity | |
| DIMENSIONS: mm | | CHK D. ROHDE 03 JUN 2005 | | |
| TOLERANCES UNLESS OTHERWISE SPECIFIED: | | APVD S. BUCHTER 03 JUN 2005 | NAME ADAPTER, DUPLEX LC, SR-SR, SC ENVELOPE | |
| 0 PLC ±0.1 1 PLC ±0.1 2 PLC ±0.1 3 PLC ± 4 PLC ± | | PRODUCT SPEC | SIZE A2 | CAGE CODE C-6457567 |
| MATERIAL | | APPLICATION SPEC | DRAWING NO C-6457567 | RESTRICTED TO |
| FINISH | | WEIGHT | SCALE 4:1 | SHEET 2 OF 2 |
| | | CUSTOMER DRAWING | REV F3 | |