

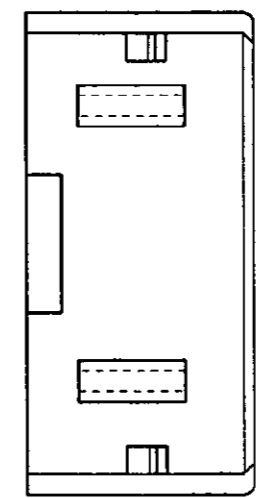
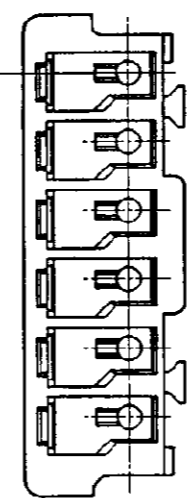
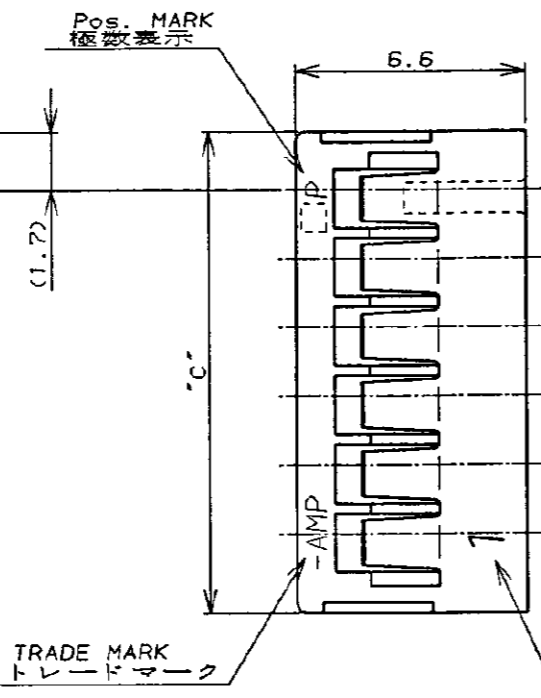
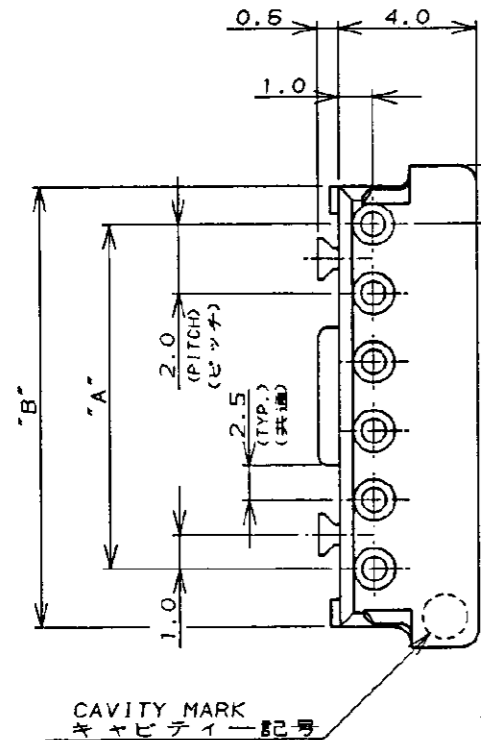
NUMBER C-179228

3rd ANGLE PROJECTION

METRIC

DIMENSIONS IN MILLIMETERS. DO NOT SCALE PRINT

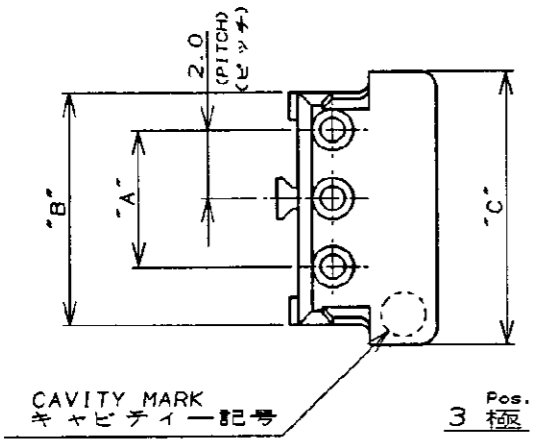
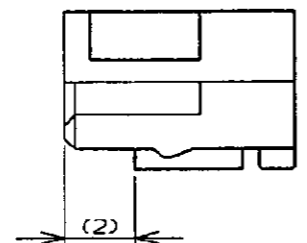
PRINT DIST



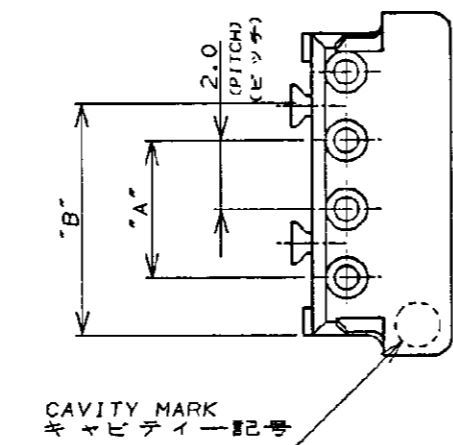
- 注 ;
- 1. 材料 : 66ナイロン (UL94V-0)
 - 2. 適用製品規格 : 108-5408
 - 3. 取付適用規格 : 114-5179

- NOTES ;
- 1. MATERIAL : 66 NYLON (UL94V-0)
 - 2. PRODUCT SPEC. : 108-5408
 - 3. APPLICATION SPEC. : 114-5179

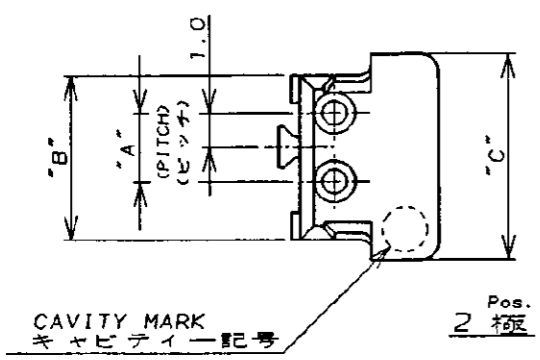
5-15 Pos. 極



3 Pos. 極



4 Pos. 極



2 Pos. 極

| | | | | | | | |
|-------------|--------------|------------|----------------|------------|------|------|------|
| 7-179228-5 | 5-179228-5 | 3-179228-5 | 1-179228-5 | 15 | 28.0 | 30.8 | 32.0 |
| 7- ↑ -4 | 5- ↑ -4 | 3- ↑ -4 | 1- ↑ -4 | 14 | 26.0 | 28.8 | 30.0 |
| 7- -3 | 5- -3 | 3- -3 | 1- -3 | 13 | 24.0 | 26.8 | 28.0 |
| 7- -2 | 5- -2 | 3- -2 | 1- -2 | 12 | 22.0 | 24.8 | 26.0 |
| 7- -1 | 5- -1 | 3- -1 | 1- -1 | 11 | 20.0 | 22.8 | 24.0 |
| 7- -0 | 5- -0 | 3- -0 | 1- -0 | 10 | 18.0 | 20.8 | 22.0 |
| 6- -9 | 4- -9 | 2- -9 | -9 | 9 | 16.0 | 18.8 | 20.0 |
| 6- -8 | 4- -8 | 2- -8 | -8 | 8 | 14.0 | 16.8 | 18.0 |
| 6- -7 | 4- -7 | 2- -7 | -7 | 7 | 12.0 | 14.8 | 16.0 |
| 6- -6 | 4- -6 | 2- -6 | -6 | 6 | 10.0 | 12.8 | 14.0 |
| 6- -5 | 4- -5 | 2- -5 | -5 | 5 | 8.0 | 10.8 | 12.0 |
| 6- -4 | 4- -4 | 2- -4 | -4 | 4 | 6.0 | 8.8 | 10.0 |
| 6- -3 | 4- -3 | 2- -3 | -3 | 3 | 4.0 | 6.8 | 8.0 |
| 6-179228-2 | 4-179228-2 | 2-179228-2 | 179228-2 | 2 | 2.0 | 4.8 | 6.0 |
| BLACK 黒色 | YELLOW 黄色 | BLUE 青色 | NATURAL 自然色 | Pos. 極数 | A | B | C |

| | | | | | |
|--|--|---|--|--|--|
| Copyright ©19 年 | | Copyright ©19 年 | | AMP AMP (JAPAN), LTD. Tokyo, Japan | |
| AMP (Japan), LTD. ALL RIGHTS RESERVED. | | AMP (Japan), LTD. ALL RIGHTS RESERVED. | | | |
| WIRE RANGE mm ² (AWG -) | | INSULATION DIA mmφ | | NAME 圧着タイプIIリセハウジング CRIMP TYPE II RECEPTACLE HOUSING (AMP CT CONNECTOR 2mm PITCH) | |
| MATERIAL NOTE 注 | | FINISH | | GENERAL TOLERANCE | |
| A1 REVISED FJ00-1213-94 T.F.S.K. 3/4 '94 | | DR. 11/12 '93 DE. 11/12 '93 | | SIZE LOC NUMBER | |
| A REVISED FJ00-0073-94 T.F.S.K. 3/4 '93 | | DR. 11/15 '93 DE. T. FURUYA | | B J C-179228 | |
| O RELEASED FJ00-0861-93 T.F.S.K. 11/16 '93 | | CHK. S. KUBOUCHI APP. S. KUBOUCHI | | SCALE REV. SHEET | |
| LTR . REVISION RECORD | | DR CHK DATE | | 5-1 A1 1 OF 1 | |