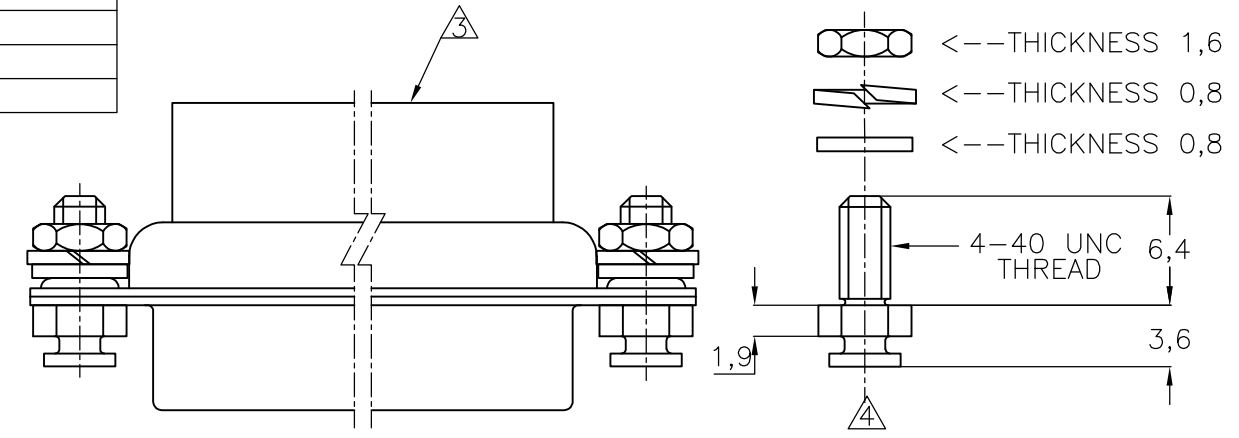


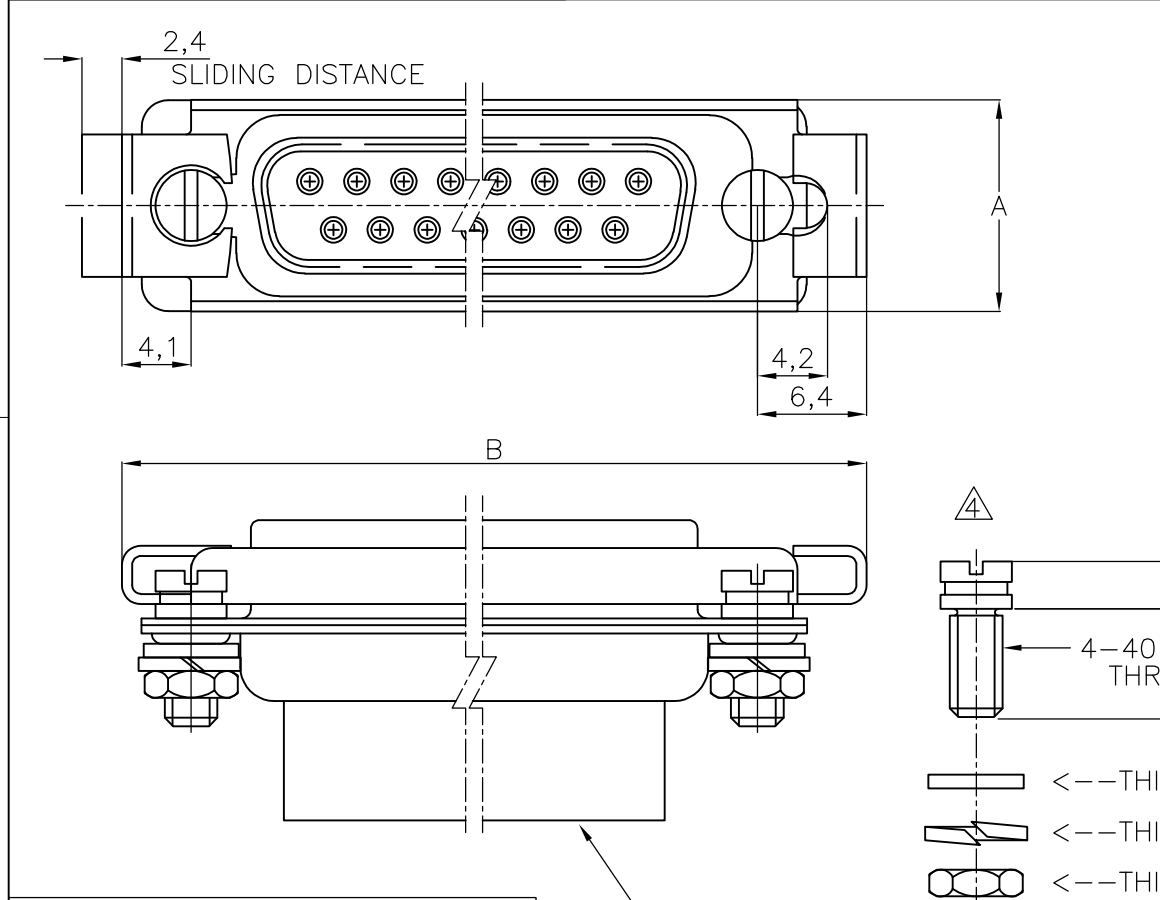
THIS DRAWING IS UNPUBLISHED. RELEASED FOR PUBLICATION  
 © COPYRIGHT - By - ALL RIGHTS RESERVED.

KIT CONSISTS OF :

2	LOCKING POSTS
2	WASHERS
2	SPRINGWASHERS
2	NUTS



LOCKING POST ASS'Y KIT:164900-[]



KIT CONSISTS OF :

1	LATCH
2	SLIDE LATCH POSTS
2	WASHERS
2	SPRINGWASHERS
2	NUTS

SLIDE LATCH ASS'Y KIT:164892-[]

LOC	DIST	REVISIONS					
		P	LTR	DESCRIPTION	DATE	DWN	APVD
H	-	P		ECR-05-010734	09-09-05	JvdH	-
		R		ECR-07-020217	30-08-07	BSV	KMA
		R1		REVISED PER ECO-09-020689	24-08-09	KK	AEG
		R2		ECR-11-005037	20JUN11	RK	KMA

NOTES:

- 1 PARTS PACKED UNASSEMBLED IN PLASTIC BAG.
- 2 FOR MOUNTING-INSTRUCTIONS SEE I-042-087.
- 3 CONNECTORS DRAWN FOR REFERENCE ONLY.
- 4 DRAWN APART FOR DIMENSIONS ONLY.
- 5 TO MATE 1 PLUG- AND 1 RECEPTACLE CONN., ONE KIT 164892-[] AND ONE KIT 164900-[] HAS TO BE ORDERED.
- 6 KIT PACKAGE.
- 7 BULKPACKAGE CONSISTS OF 1000 KITS ; PLEASE ORDER IN UNITS OF 1000 KITS.
- 8 BULKPACKAGE CONSISTS OF 50 KITS ; PLEASE ORDER IN UNITS OF 50 KITS.
- 9 MATERIAL AND FINISHING :  
 SLIDE LATCH : STAINLESS STEEL  
 10 SCREWS,WASHERS AND NUTS :ZINCPLATED STEEL.  
 11 SCREWS,WASHERS AND NUTS :BRIGHT TINPLATED STEEL.  
 12 164892-1, 0\_\_6, 1\_\_1, 2\_\_1, 2\_\_6, SUPERSEDED BY 1-164892-6.  
 13 164892-2, 0\_\_7, 1\_\_2, 2\_\_2, 2\_\_7, SUPERSEDED BY 1-164892-7.  
 14 164892-3, 0\_\_8, 1\_\_3, 2\_\_3, 2\_\_8, SUPERSEDED BY 1-164892-8.  
 15 164892-4, 0\_\_9, 1\_\_4, 2\_\_4, 2\_\_9, SUPERSEDED BY 1-164892-9.  
 16 164892-5, 1\_\_0, 1\_\_5, 2\_\_5, 3\_\_0, SUPERSEDED BY 2-164892-0.  
 17 164900-2, -3, -4, -6, -7, SUPERSEDED BY 164900-5.  
 18 OBSOLETE PARTS: OBSOLETE CIS STREAMLINING PER D.RENAUD/D.SINISI  
 19 OBSOLETE

SIZE	NO.OF POS.	DIM."A"	DIM."B"	PARTNUMBER 8	PARTNUMBER 7	PARTNUMBER 6
5	50	15,1	71,6	16 1-164892-5	16 1-164892-0	16 164892-5
4	37	12,4	74,0	15 1-164892-4	15 164892-9	15 164892-4
3	25	12,4	57,5	14 1-164892-3	14 164892-8	14 164892-3
2	15	12,4	43,8	13 1-164892-2	13 164892-7	13 164892-2
1	9	12,4	35,5	12 1-164892-1	12 164892-6	12 164892-1

SIZE	NO.OF POS.	DIM."A"	DIM."B"	PARTNUMBER 8	PARTNUMBER 7	PARTNUMBER 6
5	50	15,1	71,6	16 3-164892-0	16 2-164892-5	2-164892-0
4	37	12,4	74,0	15 2-164892-9	15 2-164892-4	1-164892-9
3	25	12,4	57,5	14 2-164892-8	14 2-164892-3	1-164892-8
2	15	12,4	43,8	13 2-164892-7	13 2-164892-2	1-164892-7
1	9	12,4	35,5	12 2-164892-6	12 2-164892-1	1-164892-6

THIS DRAWING IS A CONTROLLED DOCUMENT.

DIMENSIONS: mm	TOLERANCES UNLESS OTHERWISE SPECIFIED:
0 PLC ± -	1 PLC ± -
2 PLC ± -	3 PLC ± -
4 PLC ± -	ANGLES ± -
MATERIAL -	FINISH -

DWN B.MOOIJ. 07OCT87	CHK C.V.TILBURG. 12OCT87
APVD L.V.SOEST 14OCT87	PRODUCT SPEC -
APPLICATION SPEC -	WEIGHT -
CUSTOMER DRAWING	

**STE** TE Connectivity

AMPLIMITE  
 ONE PIECE SLIDE LATCH  
 AND LOCKING-POST KITS

SIZE A3 CAGE CODE 00779 DRAWING NO C-164892 RESTRICTED TO -

SCALE NTS SHEET 1 OF 1 REV R2