

Distributed by:

JAMECO[®]
ELECTRONICS

www.Jameco.com ♦ 1-800-831-4242

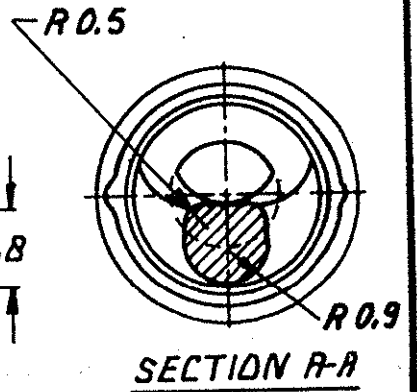
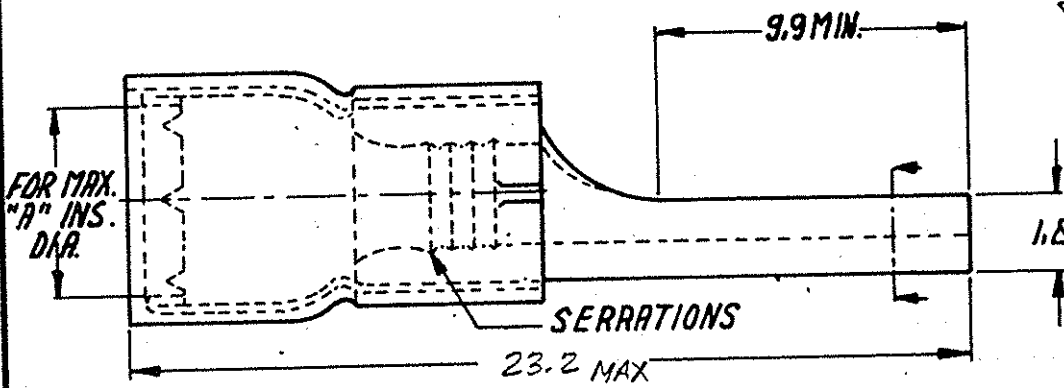
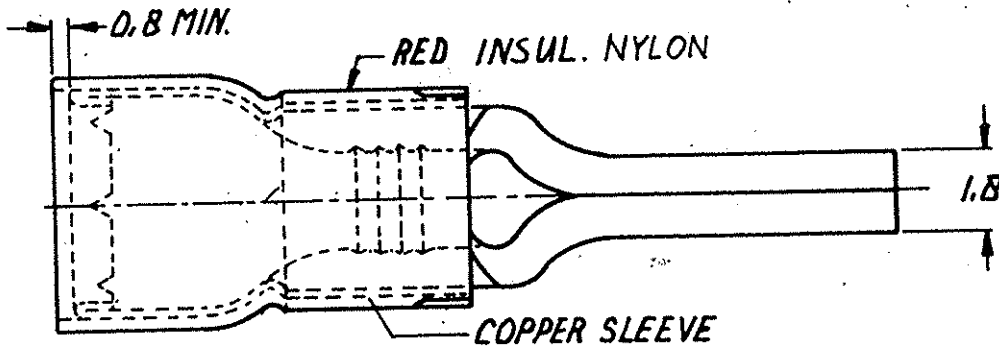
The content and copyrights of the attached
material are the property of its owner.

Jameco Part Number 899773

DRAWING MADE IN AMERICAN PROJECTION

PART NUMBER	"A"
165168-0	3.6

NUMBER C-165168



DIMENSIONS IN M.M. DO NOT SCALE PRINT

CUSTOMER COPY FOR REFERENCE ONLY

©1981 BY AMP-HOLLAND N.V. ALL RIGHTS RESERVED A-MP PRODUCTS COVERED BY PATENTS AND/OR PATENTS PENDING.



AMP - HOLLAND N.V.
 's-Hertogenbosch

165168-0	COPPER	TIN
ORDER NO.	MATERIAL	PLATING
DR R.V.H. 9.6.81	DATE	DE
DATE	APP	DATE
10.6.81		15.6.81

WIRE-RANGE 0.25-1.6mm ²	INSUL.-RANGE SEE TABLE	FIRST-USED TOL ±0.2
SCALE N.O.S.	SIZE A	NO C-165168
NAME WIRE PIN		REV F