

Distributed by:

JAMECO[®]
ELECTRONICS

www.Jameco.com ♦ 1-800-831-4242

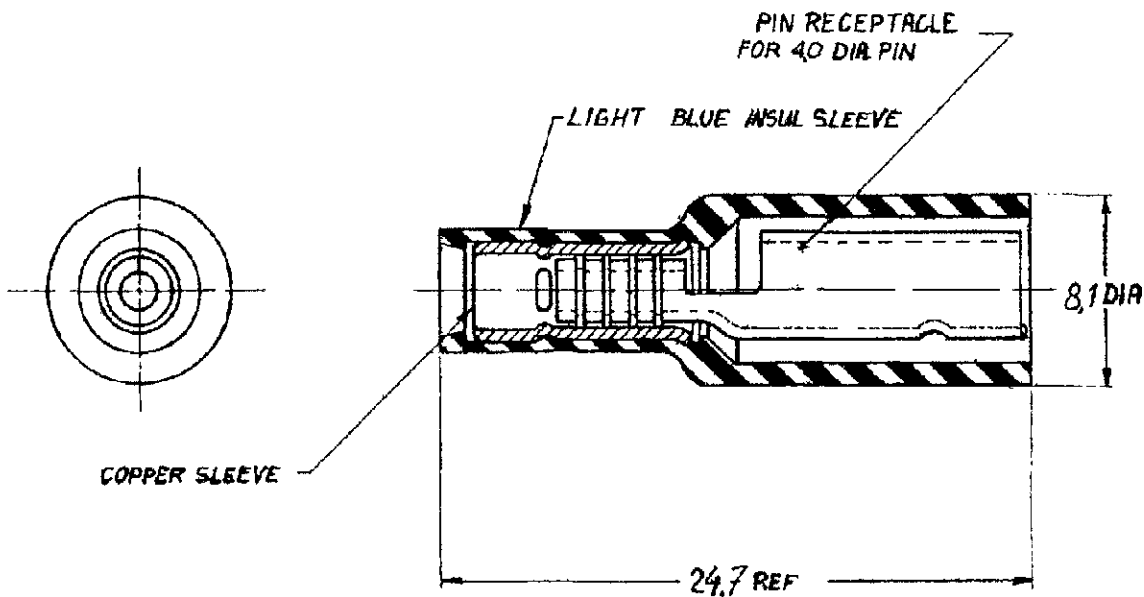
The content and copyrights of the attached
material are the property of its owner.

Jameco Part Number 899811

NUMBER C-165429 -E

DRAWING MADE IN AMERICAN PROJECTION

NOTE: TO BE USED WITH THE SUPERCHAMP HANDTOOL ONLY.



CUSTOMER COPY FOR REFERENCE ONLY

©1970 BY AMP-HOLLAND N.V. ALL RIGHTS RESERVED A-MP PRODUCTS COVERED BY PATENTS AND/OR PATENTS PENDING.



AMP-HOLLAND N.V.
HERTOGENBOSCH
HOLLAND

165429-1	TUBING NYLON	COLOR LIGHT BLUE
	SLEEVE COPPER	TIN
	PIN REC. BRASS	TIN
ORDER NO	MATERIAL	PLATING
DR [Signature] 12/70	DATE	DATE
CHK [Signature] 30/1/70	DATE	DATE

WIRE RANGE 10-2.6 mm ²	INSUL RANGE MAX 4 mm DIA	FIRST USED "
SCALE 4:1	LOC H	SIZE A
NO C-165429-E		REV E

NAME SHUR PLUG RECEPTACLE fully insulated

DIMENSIONS IN MM DO NOT SCALE PRINT