



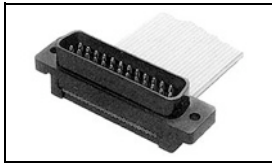
Have a Question?
Chat with a Product
Information Specialist

What can we help you find?

[Products](#) [Industries](#) [Resources](#) [About TE](#) [My Account](#) [Innovation](#) [Support Center](#)

1658615-4 Product Details

[Share](#) [Print](#) [Email](#)



1658615-4

TE Internal Number: 1658615-4

Active

[View 3D PDF](#)

Standard Cable Connectors

Always EU RoHS/ELV Compliant (Statement of Compliance)

Product Highlights:

- Connector
- Product Series = HDF-20 (Ribbon Cable)
- 9 Positions
- Without Enclosure
- Connector Style = Plug

[View all Features](#)

Quick Links

- ▶ [Pricing & Availability](#)
- ▶ [Search for Tooling](#)
- ▶ [View Mating Products \(24\)](#)
- ▶ [Product Feature Selector](#)
- ▶ [Contact Us About This Product](#)

[Add to My Part List](#) [Request Sample](#) [Find Similar Products](#) [Buy Product](#)

Documentation & Additional Information

Product Drawings:

- [PLUG ASSEMBLY, LEAD-FREE, AMPLIMITE HDF \(PDF, English\)](#)

Catalog Pages/Data Sheets:

- [AMPLIMITE Subminiature D Connectors - Cable Connectors \(PDF, English\)](#)

Product Specifications:

- [AMPLIMITE HDF-20 Low Profile Connector \(PDF, English\)](#)

Application Specifications:

- None Available

Instruction Sheets:

- [Connector-Specific Kit 768349-1 for AMP-LATCH HDF Lo... \(PDF, English\)](#)

CAD Files: (CAD Format & Compression Information)

- [2D Drawing \(DXF, Version 01\)](#)
- [3D Model \(IGES, Version 01\)](#)
- [3D Model \(STEP, Version 01\)](#)

[List all Documents](#)

Additional Information:

- [Product Line Information](#)

Additional Product Images:

- [Panel Mount Cutout Dimensions](#)
- [Mating View](#)

Related Products:

- [Tooling](#)
- [Mating Products \(24\)](#)

Product Features (Please use the Product Drawing for all design activity)

Product Type Features:

- **Product Type** = Connector
- **Product Series** = HDF-20 (Ribbon Cable)
- **Wire/Cable Type** = Ribbon Cable
- **Termination Method to Wire/Cable** = Insulation Displacement Crimp (IDC)
- **Mating Connector Lock** = With
- **Mating Connector Lock Type** = Mounting Holes
- **Shell Size** = 1
- **Shell Type** = All Plastic
- **Grounding Indents** = With
- **Grade** = Standard
- **Profile** = Low
- **Color** = Black
- **Cover Material** = Thermoplastic

Termination Features:

- **Solder Tail Contact Plating** = Tin over Nickel

Dimensions:

- **Cable Insulation Diameter (mm [in])** = 0.81 - 0.97 [0.032 - 0.038]

Body Features:

- **Wire Range (mm² [AWG])** = 0.08 - 0.15 [28-26]
- **Ribbon Cable Centerline Spacing (mm [in])** = 1.27 [0.050]
- **Optional Cable Stabilizer** = 747275-4
- **Strain Relief Part Number** = 747275-4

Contact Features:

- **Contact Type** = Pin
- **Contact Base Material** = Phosphor Bronze
- **Contact Plating, Mating Area, Material** = Gold Flash over Palladium Nickel or Gold (30) over Nickel
- **Contact Size** = 20

Housing Features:

- **Enclosure** = Without
- **Connector Style** = Plug
- **Housing Material** = Thermoplastic - GF
- **UL Flammability Rating** = UL 94V-0

Configuration Features:

- **Number of Positions** = 9
- **Preloaded** = Yes

Industry Standards:

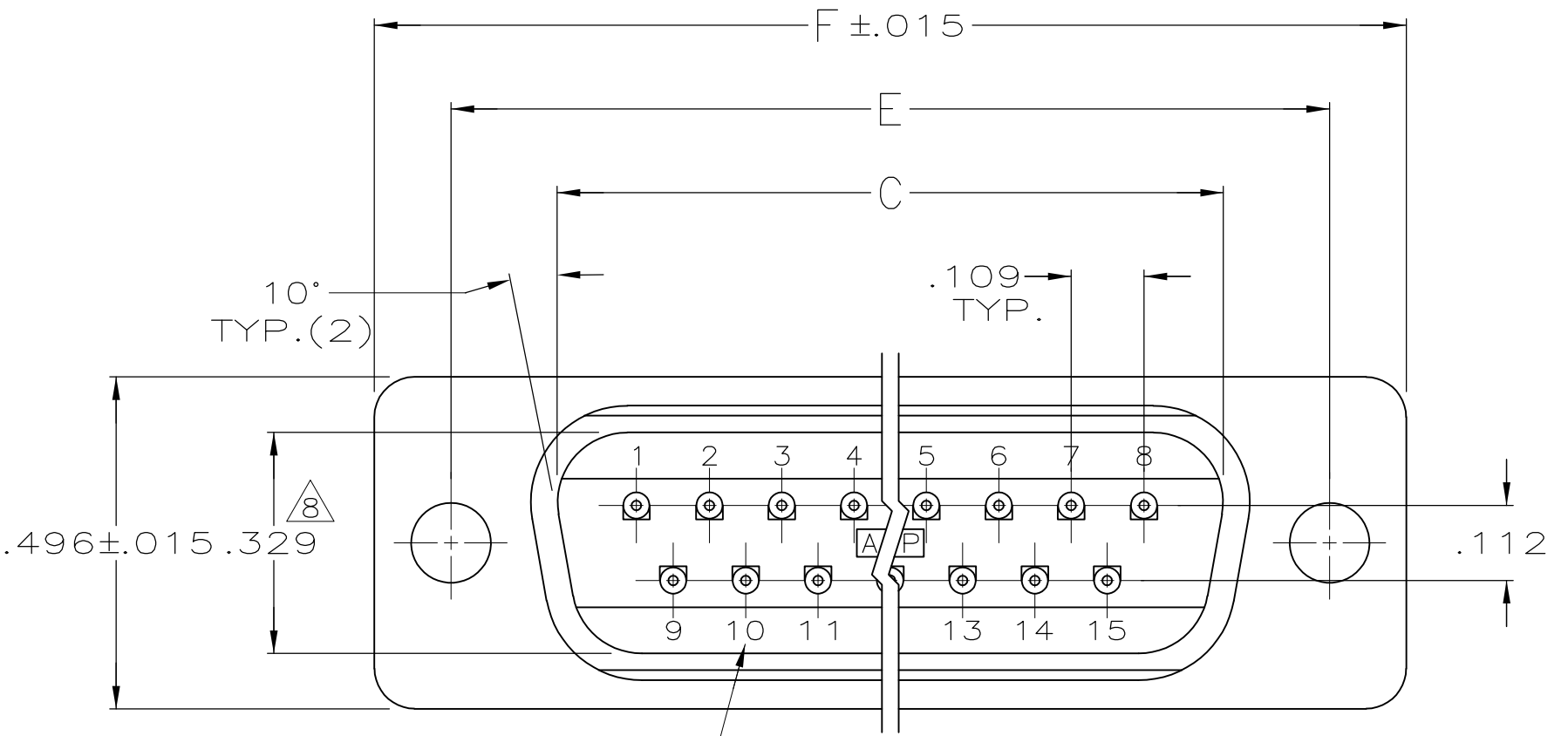
- **RoHS/ELV Compliance** = RoHS compliant, ELV compliant
- **Lead Free Solder Processes** = Not relevant for lead free process
- **RoHS/ELV Compliance History** = Always was RoHS compliant

Other:

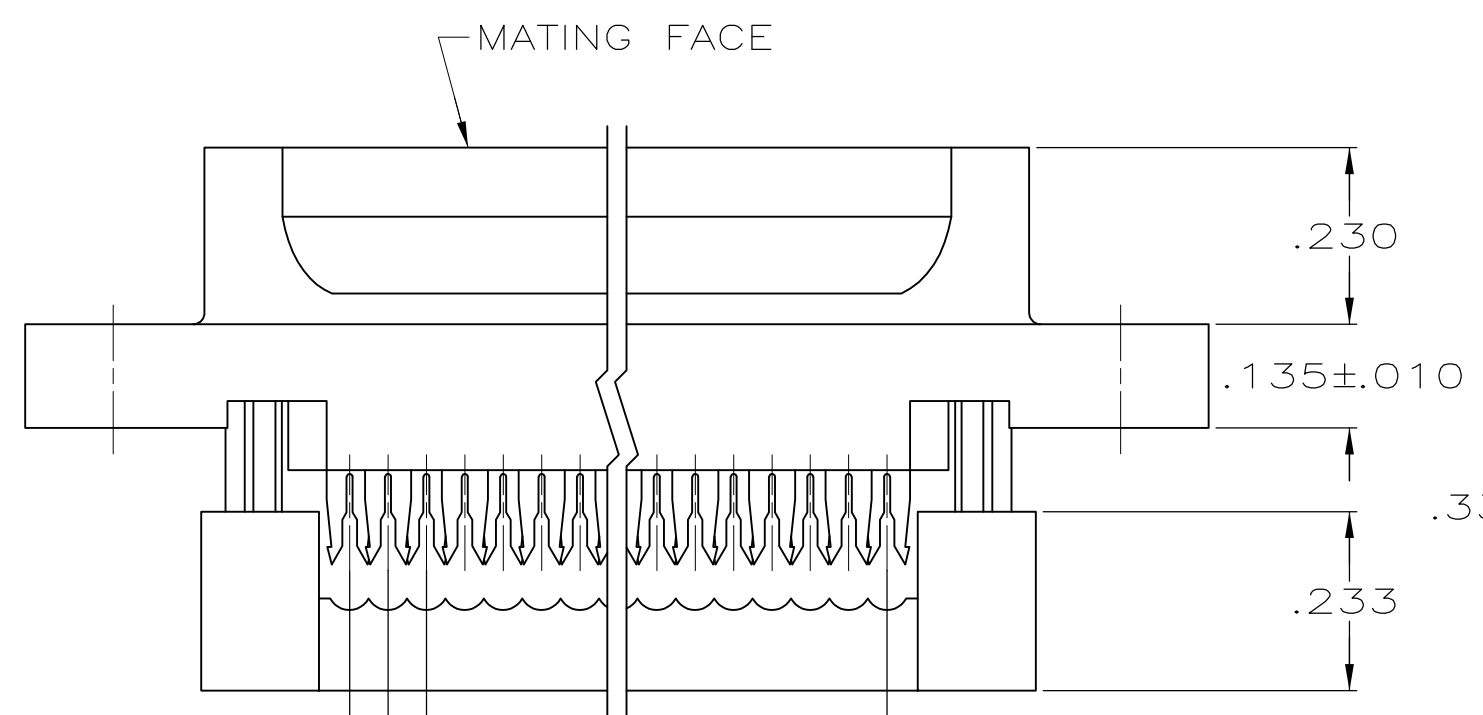
- **Brand** = AMP
- **Comment** = All plug assemblies are supplied with housing and cover preassembled

THIS DRAWING IS UNPUBLISHED. RELEASED FOR PUBLICATION
 © COPYRIGHT - By - ALL RIGHTS RESERVED.

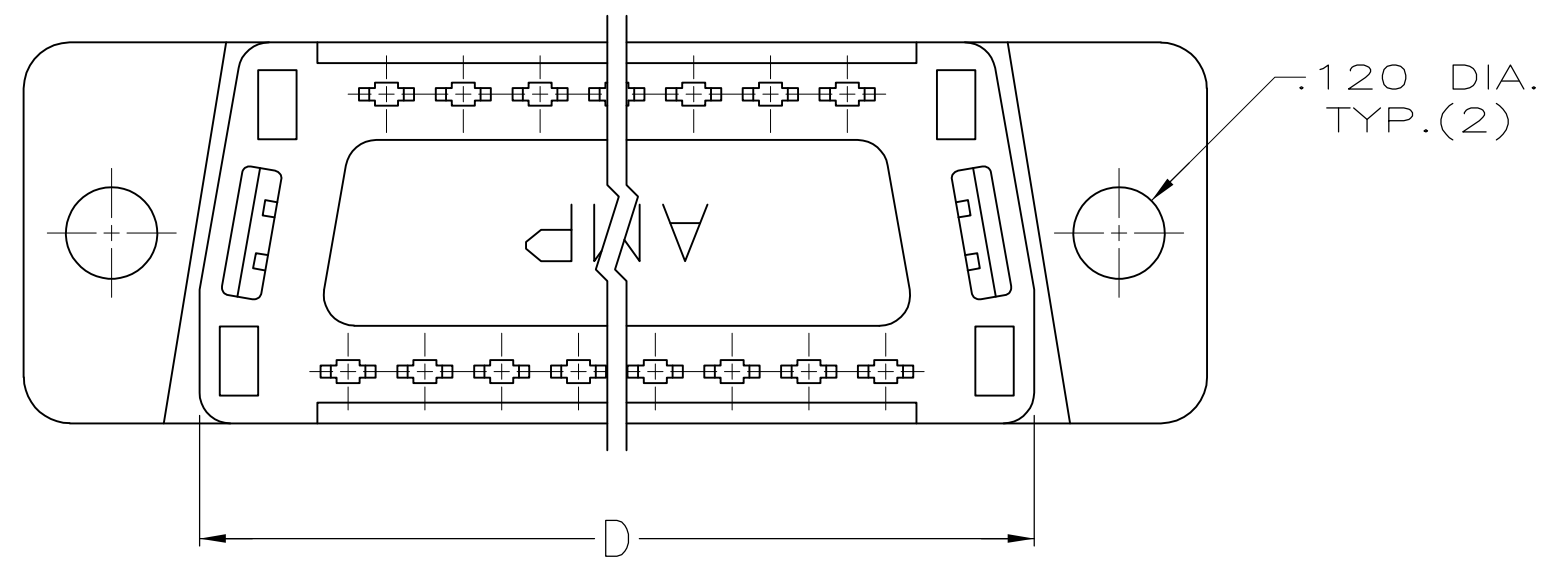
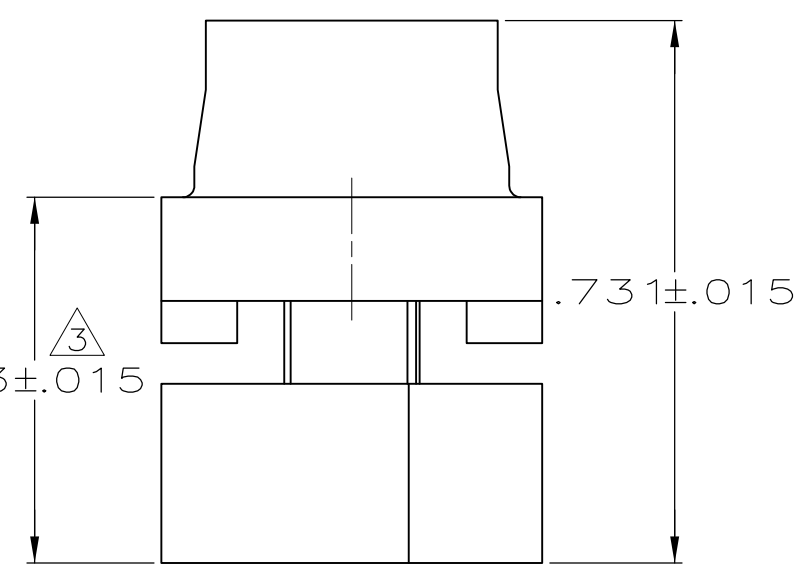
LOC		DIST		REVISIONS			
P	LTR	DESCRIPTION	DATE	DWN	APVD		
GP	00	B1	REVISED PER ECO-11-004835	11MAR11	RK	HMR	



RAISED CAVITY IDENTIFICATION
(15 POSITION SHOWN)



.050 REF.
 .100 REF.
 A SPACES AT .050 = B



- CONNECTORS COMPLY WITH AMP SPEC. 108-40,012 AND MATE WITH ANY SAME NUMBER POSITION RECEPTACLE CONNECTOR IN AMPLIMITE SERIES.
- CONNECTOR DESIGNED FOR 28 AND 26 AWG STRANDED AND SOLID CONDUCTOR RIBBON CABLE ON .050 ϕ .
- DIMENSION APPLIES TO TERMINATED CONNECTOR.
- MOLDED PARTS: FLAME RETARDANT 94V-0 RATED THERMOPLASTIC; COLOR: BLACK.
- CONTACTS: PHOS. BRONZE PER QQ-B-750.
- GOLD PLATING PER MIL-G-45204, TIN PLATING PER MIL-T-10727, NICKEL PLATING PER QQ-N-290.
- CONTACTS:
 .000030 GOLD ON MATING END, .000100-.000200 MATTE TIN ON TERMINATION END, ALL OVER .000050 NICKEL ON ENTIRE CONTACT.
 OR
 GOLD FLASH OVER PALLADIUM-NICKEL ON MATING END, .000030 MIN TOTAL, .000100-.000200 MATTE TIN ON TERMINATION END, ALL OVER .000050 NICKEL ON ENTIRE CONTACT.
- DIMENSION APPLIES TO BASE OF SHROUD.

1.216	.984	.759	.666	.400	8	9	1658615-4
1.541	1.312	1.087	.994	.700	14	15	1658615-3
2.090	1.852	1.623	1.534	1.200	24	25	1658615-2
2.732	2.500	2.275	2.183	1.800	36	37	1658615-1
F	E	D	C	B	A	NO.OF POS.	PART NUMBER

THIS DRAWING IS A CONTROLLED DOCUMENT.

DWN	L. BAUM	6/13/03		TE Connectivity		
CHK	C. ROHDE	6/13/03				
APVD	M. WALMSLEY	6/13/03				
NAME	PLUG ASSEMBLY, LEAD-FREE, AMPLIMITE HDF					
DIMENSIONS:	TOLERANCES UNLESS OTHERWISE SPECIFIED:	PRODUCT SPEC	SIZE	CAGE CODE	DRAWING NO	RESTRICTED TO
INCHES	0 PLC ± -	APPLICATION SPEC	A2	00779	C=1658615	-
	1 PLC ± -	WEIGHT	SCALE 4:1		SHEET 1 of 1	REV B1
	2 PLC ± -	CUSTOMER DRAWING				
	3 PLC ± .005					
	4 PLC ± -					
	ANGLES ± 2°					
MATERIAL	FINISH					