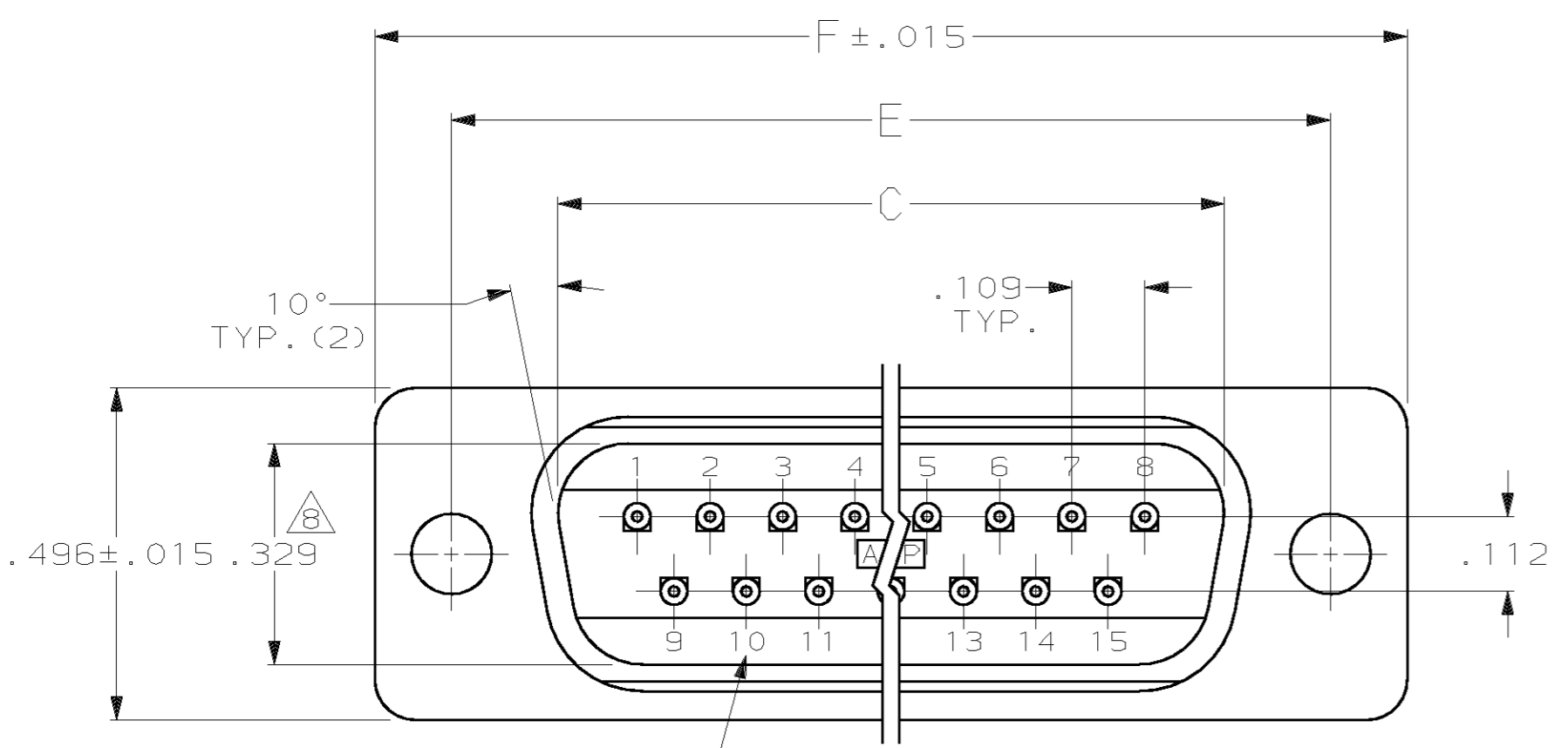


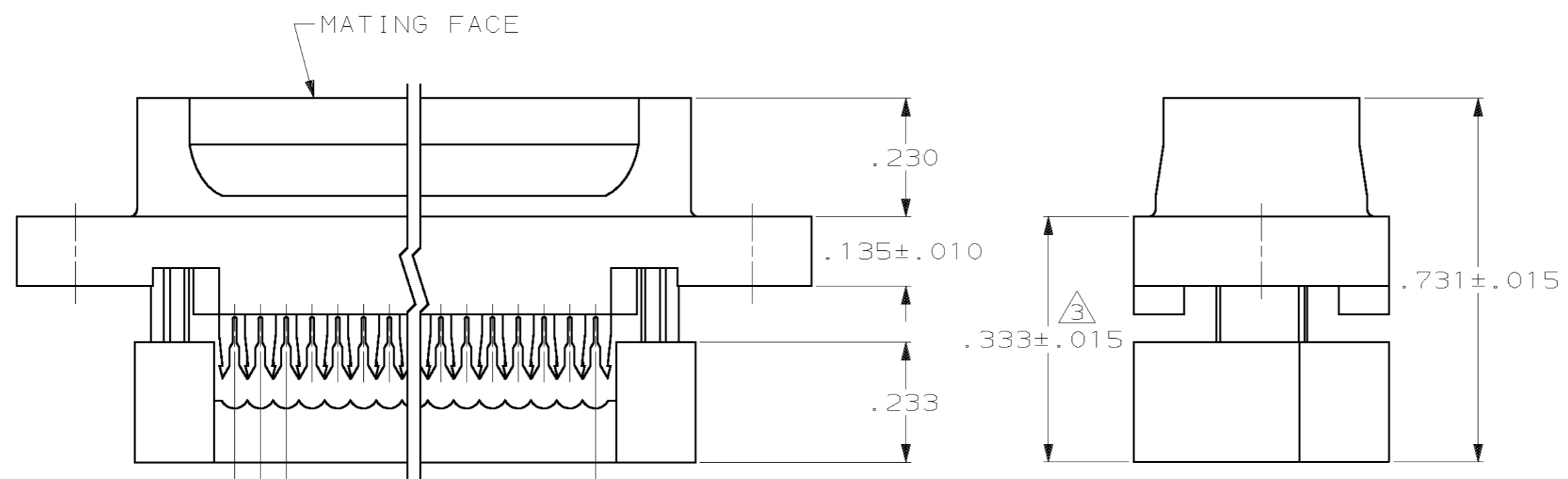
THIS DRAWING IS UNPUBLISHED. RELEASED FOR PUBLICATION .19
 BY AMP INCORPORATED. ALL RIGHTS RESERVED.

LOC	DIST	REVISIONS					
GP	00	P	LTR	DESCRIPTION	DATE	DWN	APVD
		0		RELEASED PER EC 0513-0187-03	13 JUN 03	LB	CR

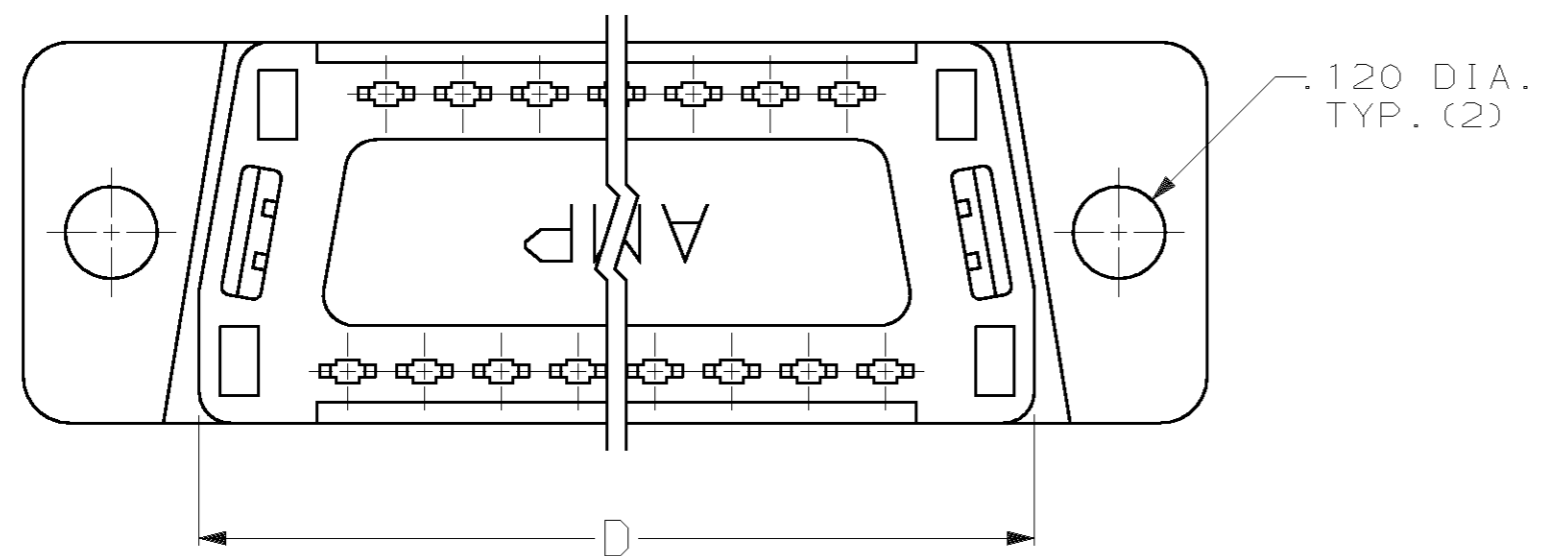


- CONNECTORS COMPLY WITH AMP SPEC. 108-40,012 AND MATE WITH ANY SAME NUMBER POSITION RECEPTACLE CONNECTOR IN AMPLIMITE SERIES.
- CONNECTOR DESIGNED FOR 28 AND 26 AWG STRANDED AND SOLID CONDUCTOR RIBBON CABLE ON .050¢.
- DIMENSION APPLIES TO TERMINATED CONNECTOR.
- MOLDED PARTS: FLAME RETARDANT 94V-0 RATED THERMOPLASTIC; COLOR: BLACK.
- PHOS. BRONZE PER QQ-B-750.
- GOLD PLATING PER MIL-G-45204, BRIGHT TIN PLATING PER MIL-T-10727 NICKEL PLATING PER QQ-N-290.
- .000030 GOLD ON MATING END, .000100-.000200 BRIGHT TIN ON TERMINATION END, ALL OVER .000050 NICKEL ON ENTIRE CONTACT.
- DIMENSION APPLIES TO BASE OF SHROUD.

RAISED CAVITY IDENTIFICATION (15 POSITION SHOWN)



.050 REF.
 .100 REF.
 A SPACES AT .050 = B



1.216	.984	.759	.666	.400	8	9	1658615-4
1.541	1.312	1.087	.994	.700	14	15	1658615-3
2.090	1.852	1.623	1.534	1.200	24	25	1658615-2
2.732	2.500	2.275	2.183	1.800	36	37	1658615-1
F	E	D	C	B	A	NO. OF POS.	PART NUMBER

THIS DRAWING IS A CONTROLLED DOCUMENT.

DIMENSIONS: INCH	TOLEANCES UNLESS OTHERWISE SPECIFIED: 0 PLC ± 1 PLC ± 2 PLC ± 3 PLC ±.005 4 PLC ± ANGLES ±2°	FINISH: △	CONTACTS: △	DWN L. BAUM 6/13/03 CHK C. ROHDE 6/13/03 APVD M. WALMSLEY 6/13/03	NAME: AMP Incorporated Harrisburg, PA 17105-3608
MATERIAL MOLDED PARTS: △	CONTACTS: △	PRODUCT SPEC: -	APPLICATION SPEC: -	SIZE: A2	CAGE CODE: 00779
CUSTOMER DRAWING			SCALE: 4:1	DRAWING NO: 1658615	RESTRICTED TO: -

AMP Incorporated
Harrisburg, PA 17105-3608

PLUG ASSEMBLY, LEAD-FREE, AMPLIMITE HDF

SCALE 4:1 SHEET 1 OF 1 REV 0