

1658621-5 Product Details



1658621-5

TE Internal Number: 1658621-5



AMP-LATCH Ribbon Cable Connectors

 Always EU RoHS/ELV Compliant (Statement of Compliance)

Product Highlights:

- AMP-LATCH Product Line
- Wire-to-Board
- Applies To Wire/Cable
- Connector Assembly
- Connector Style = Receptacle

Documentation & Additional Information

Product Drawings:

- [RECEPTACLE ASSY, CENTER & MILITARY POLARIZATION, LEA...](#) (PDF, English)

Catalog Pages/Data Sheets:

- [Ribbon Cable Interconnect Solutions](#) (PDF, English)

Product Specifications:

- [Connector, Flat Cable Round Conductor, AMP-LATCH Nov...](#) (PDF, English)

Application Specifications:

- [AMP-LATCH Novo Receptacles for Ribbon Cable with Con...](#) (PDF, English)

Instruction Sheets:

- [CONNECTOR-SPECIFIC KIT 768341-1 F/AMP-LATCH STANDARD...](#) (PDF, English)

CAD Files: (CAD Format & Compression Information)

- [2D Drawing](#) (DXF, Version D)
- [3D Model](#) (IGES, Version D)
- [3D Model](#) (STEP, Version D)

Additional Information:

- [Product Line Information](#)

Related Products:

- [Tooling](#)
- [Mating Products \(38\)](#)

Product Features (Please use the Product Drawing for all design activity)

Product Type Features:

- Product Line = AMP-LATCH
- Connector Type = Connector Assembly
- Series = NOVO
- Shrouded = No
- Termination Method to Wire/Cable = Insulation Displacement Crimp (IDC)
- UL File Number = E28476
- CSA File Number = LR 7189

Electrical Characteristics:

- Contact - Rated Current (A) = 1
- Operating Voltage Reference = AC
- Operating Voltage (VAC) = 250

Termination Features:

- Wire/Cable Size (AWG) = 26 - 28
- Wire/Cable Size (mm²) = 0.08 - 0.15
- Wire/Cable Size (CMA) = 158 - 296

Dimensions:

- Length (X-Axis) (mm [in]) = 35.05 [1.3799]
- Width (Z-Axis) (mm [in]) = 7.49 [0.2949]
- Profile Height (Y-Axis) (mm [in]) = 15.16 [0.5968]

Body Features:

- Row-to-Row Spacing (mm [in]) = 2.54 [0.100]

Contact Features:

- Contact Design = Tuning Fork
- Contact Type = Socket
- Contact Base Material = Phosphor Bronze
- [Contact Plating, Mating Area, Material](#) = Gold or Palladium Nickel or Performance Based
- Contact Plating, Mating Area, Thickness (µm [µin]) = 0.38 [15]

Configuration Features:

- [Number of Positions](#) = 24
- [Number of Rows](#) = 2

Industry Standards:

- [RoHS/ELV Compliance](#) = RoHS compliant, ELV compliant
- [Lead Free Solder Processes](#) = Not relevant for lead free process
- RoHS/ELV Compliance History = Always was RoHS compliant
- Agency/Standard = CSA, UL
- UL Rating = Recognized
- UL Voltage Rating (VAC) = 250

Environmental:

- Operating Temperature (°C [°F]) = -65 - +105 [-85 - +221]

Conditions for Usage:

- [Applies To](#) = Wire/Cable
- Accepts Wire Insulation Diameter, Range (mm [in]) = 0.787 - 0.94 [0.031 - 0.037]

Operation/Application:

- Application Use = Wire-to-Board
- Contact Transmits (Typical Application) = Signal (Data)

Packaging Features:

- Packaging Method = Box

Other:

- Brand = AMP

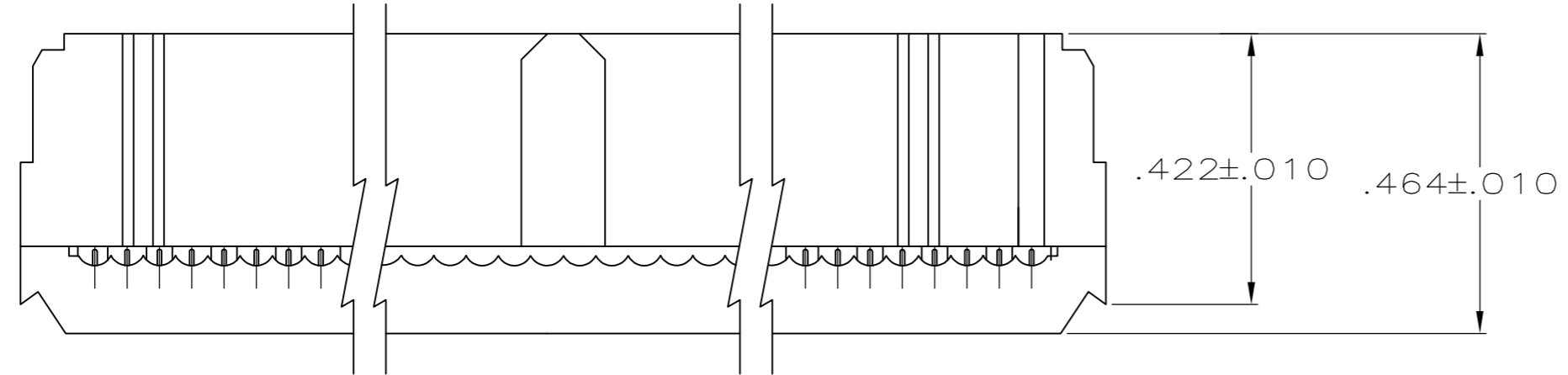
Housing Features:

- Connector Style = Receptacle
- Centerline (mm [in]) = 2.54 [0.100]
- Mating Alignment = With
- Mating Alignment Type = Polarization
- Housing Color = Black
- UL Flammability Rating = UL 94V-0

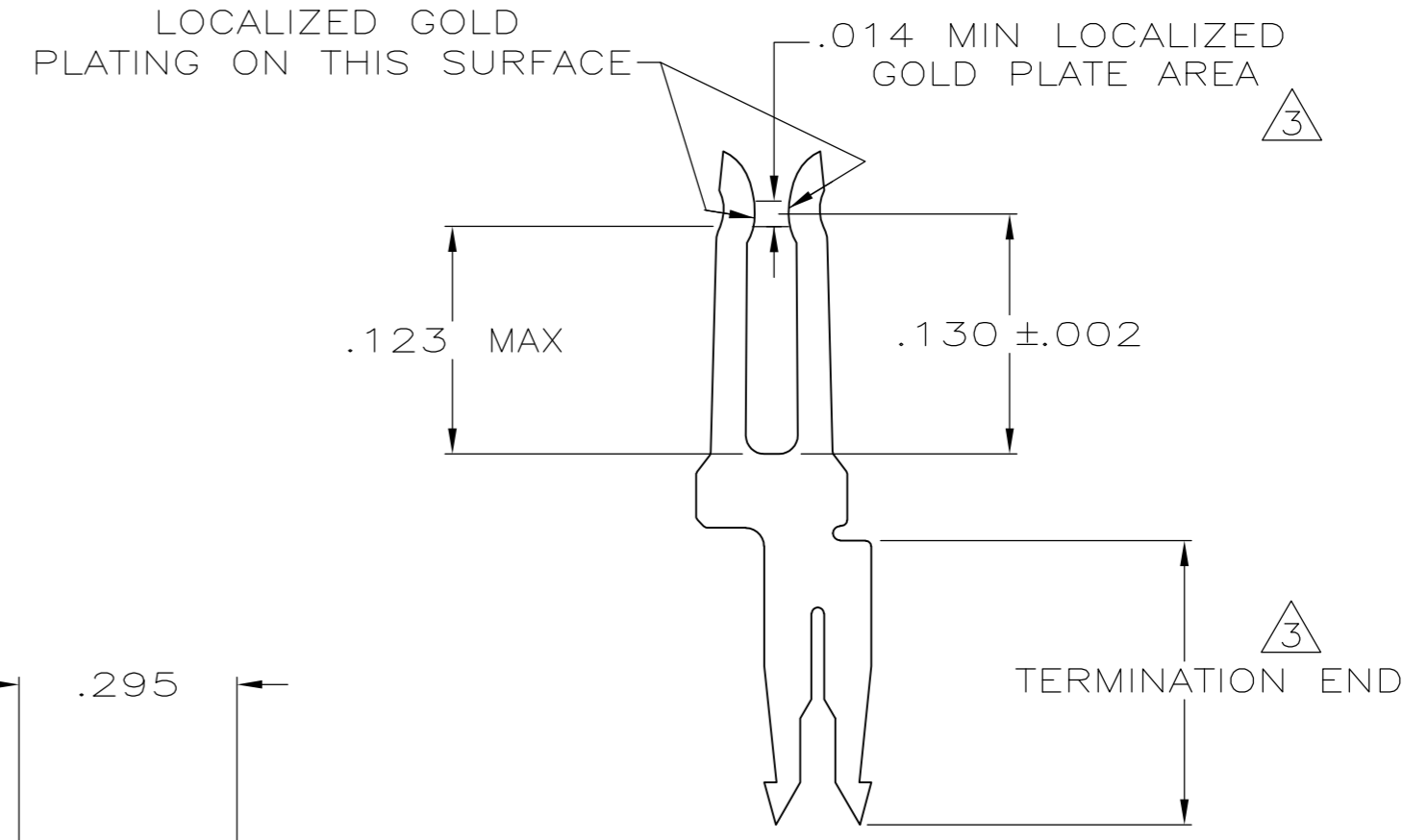
THIS DRAWING IS UNPUBLISHED. RELEASED FOR PUBLICATION
 © COPYRIGHT - By - ALL RIGHTS RESERVED.

LOC		DIST		REVISIONS			
P	LTR	DESCRIPTION		DATE	DWN	APVD	
GP	00	C1	REVISED PER ECO-11-004835		11MAR11	RK	HMR

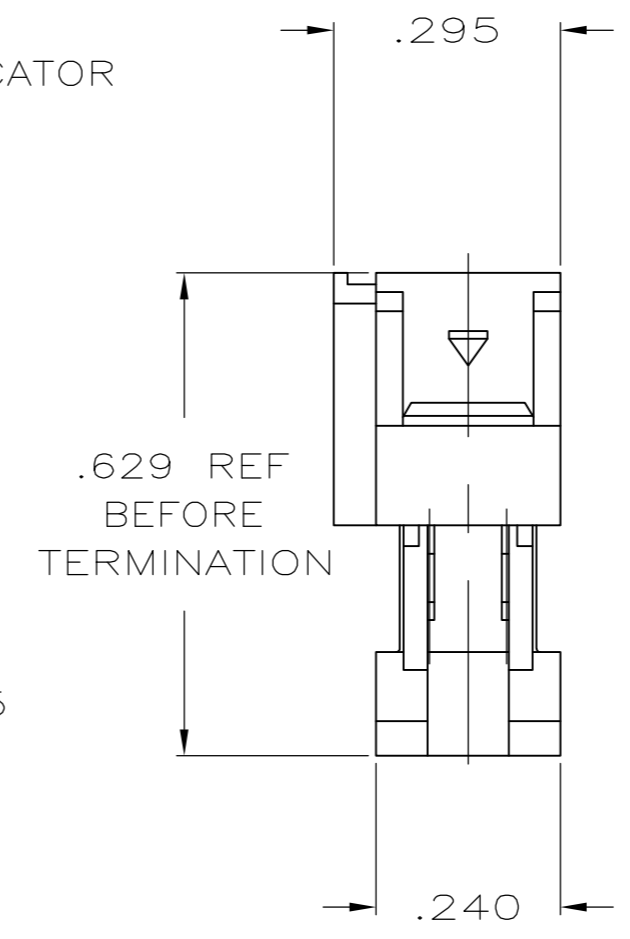
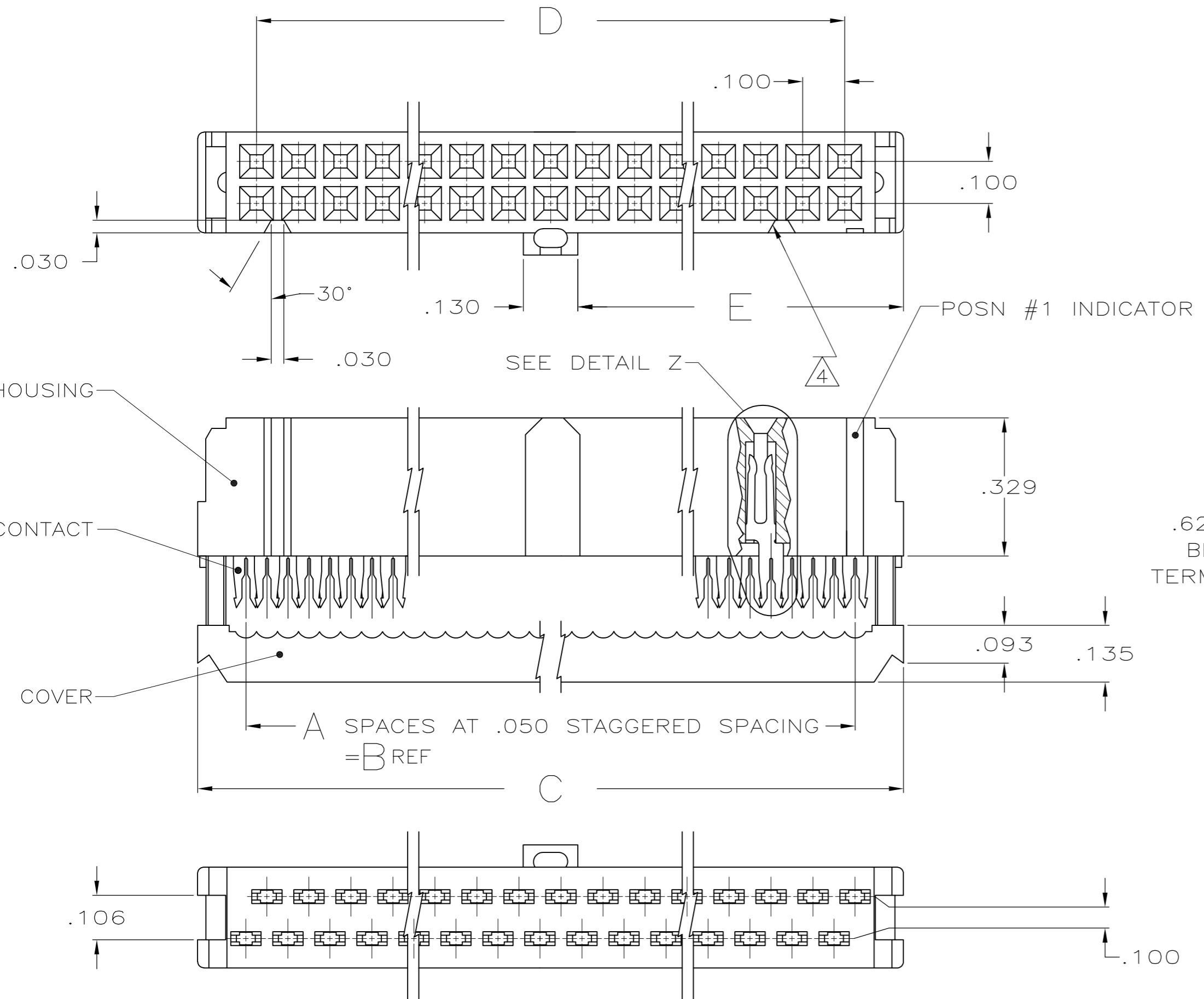
- ① MOLDED PARTS: UL RATED 94V-0 THERMOPLASTIC, BLACK.
- ② CONTACTS: PHOSPHOR BRONZE PER QQ-B-750.
- ③ CONTACTS: PLATED WITH .000015 MIN GOLD IN LOCALIZED GOLD PLATE AREA, .000050 MIN TIN ON TERMINATION END, ALL OVER .000050 MIN NICKEL ON ENTIRE CONTACT.
OR
GOLD FLASH OVER PALLADIUM-NICKEL PLATE .000015 MIN TOTAL IN LOCALIZED GOLD PLATE AREA, .000050 MIN TIN ON TERMINATION END, ALL OVER .000050 MIN NICKEL ON ENTIRE CONTACT.
- ④ POLARIZING FEATURE DOES NOT EXIST ON SAME END AS THE POSITION NUMBER 1 INDICATOR ON 10 AND 14 POSITION PRODUCT.



TERMINATED VIEW



DETAIL Z
SCALE 10:1
TYPICAL



1.125	2.100	2.380	2.150	43	44	1-1658621-3
1.625	3.100	3.380	3.150	63	64	1-1658621-2
1.525	2.900	3.180	2.950	59	60	1-1658621-1
1.275	2.400	2.680	2.450	49	50	1-1658621-0
1.025	1.900	2.180	1.950	39	40	1658621-9
.875	1.600	1.880	1.650	33	34	1658621-8
.775	1.400	1.680	1.450	29	30	1658621-7
.675	1.200	1.480	1.250	25	26	1658621-6
.625	1.100	1.380	1.150	23	24	1658621-5
.525	.900	1.180	.950	19	20	1658621-4
.425	.700	.980	.750	15	16	1658621-3
.375	.600	.880	.650	13	14	1658621-2
.275	.400	.680	.450	9	10	1658621-1
E	D	C	B	A	NO OF POSN	PART NUMBER

THIS DRAWING IS A CONTROLLED DOCUMENT.

DWN R. SAMICK 22AUG03	 TE Connectivity RECEPTACLE ASSY, CENTER & MILITARY POLARIZATION, LEAD FREE, AMP-LATCH™ NOVO					
CHK C. ROHDE 22AUG03						
APVD M. WALMSLEY 22AUG03						
NAME						
DIMENSIONS: INCHES	TOLERANCES UNLESS OTHERWISE SPECIFIED:	PRODUCT SPEC 108-40000	SIZE A2	CAGE CODE 00779	DRAWING NO C=1658621	RESTRICTED TO
MATERIAL SEE NOTES	FINISH SEE NOTES	APPLICATION SPEC 114-40005	SCALE 4:1	SHEET 1 of 1	REV C1	
CUSTOMER DRAWING		SCALE 4:1		SHEET 1 of 1		REV C1