



**Have a Question?**  
 Chat with a Product  
 Information Specialist

What can we help you find?

[Products](#) | 
 [Industries](#) | 
 [Resources](#) | 
 [About TE](#) | 
 [My Account](#) | 
 [Innovation](#) | 
 [Support Center](#)

## 1658621-7 Product Details

[Share](#) | 
 [Print](#) | 
 [Email](#)



**1658621-7**

TE Internal Number: 1658621-7

Active

View 3D PDF

### AMP-LATCH Ribbon Cable Connectors

Always EU RoHS/ELV Compliant (Statement of Compliance)

#### Product Highlights:

- AMP-LATCH Product Line
- Wire-to-Board
- Applies To Wire/Cable
- Connector Assembly
- Connector Style = Receptacle

[View all Features](#)

### Quick Links

- ▶ [Pricing & Availability](#)
- ▶ [Search for Tooling](#)
- ▶ [View Mating Products \(32\)](#)
- ▶ [Product Feature Selector](#)
- ▶ [Contact Us About This Product](#)

[Add to My Part List](#) | 
 [Request Sample](#) | 
 [Find Similar Products](#) | 
 [Buy Product](#)

Documentation & Additional Information	
<p><b>Product Drawings:</b></p> <ul style="list-style-type: none"> <li>• <a href="#">RECEPTACLE ASSY, CENTER &amp; MILITARY POLARIZATION, LEA...</a> (PDF, English)</li> </ul> <p><b>Catalog Pages/Data Sheets:</b></p> <ul style="list-style-type: none"> <li>• <a href="#">Ribbon Cable Interconnect Solutions</a> (PDF, English)</li> </ul> <p><b>Product Specifications:</b></p> <ul style="list-style-type: none"> <li>• <a href="#">Connector, Flat Cable Round Conductor, AMP-LATCH Nov...</a> (PDF, English)</li> </ul> <p><b>Application Specifications:</b></p> <ul style="list-style-type: none"> <li>• <a href="#">AMP-LATCH Novo Receptacles for Ribbon Cable with Con...</a> (PDF, English)</li> </ul> <p><b>Instruction Sheets:</b></p> <ul style="list-style-type: none"> <li>• <a href="#">CONNECTOR-SPECIFIC KIT 768341-1 F/AMP-LATCH STANDARD...</a> (PDF, English)</li> </ul> <p><b>CAD Files:</b> (<a href="#">CAD Format &amp; Compression Information</a>)</p> <ul style="list-style-type: none"> <li>• <a href="#">2D Drawing</a> (DXF, Version D)</li> <li>• <a href="#">3D Model</a> (IGES, Version D)</li> <li>• <a href="#">3D Model</a> (STEP, Version D)</li> </ul>	<p><b>Additional Information:</b></p> <ul style="list-style-type: none"> <li>• <a href="#">Product Line Information</a></li> </ul> <p><b>Related Products:</b></p> <ul style="list-style-type: none"> <li>• <a href="#">Tooling</a></li> <li>• <a href="#">Mating Products (32)</a></li> </ul>

[List all Documents](#)

Product Features (Please use the Product Drawing for all design activity)	
<p><b>Product Type Features:</b></p> <ul style="list-style-type: none"> <li>• Product Line = AMP-LATCH</li> <li>• Connector Type = Connector Assembly</li> <li>• Series = NOVO</li> <li>• Shrouded = No</li> <li>• Termination Method to Wire/Cable = Insulation Displacement Crimp (IDC)</li> <li>• UL File Number = E28476</li> <li>• CSA File Number = LR 7189</li> </ul> <p><b>Electrical Characteristics:</b></p> <ul style="list-style-type: none"> <li>• Contact - Rated Current (A) = 1</li> <li>• Operating Voltage Reference = AC</li> <li>• Operating Voltage (VAC) = 250</li> </ul> <p><b>Termination Features:</b></p> <ul style="list-style-type: none"> <li>• Wire/Cable Size (AWG) = 26 - 28</li> <li>• Wire/Cable Size (mm<sup>2</sup>) = 0.08 - 0.15</li> <li>• Wire/Cable Size (CMA) = 158 - 296</li> </ul> <p><b>Dimensions:</b></p> <ul style="list-style-type: none"> <li>• Length (X-Axis) (mm [in]) = 42.67 [1.6799]</li> <li>• Width (Z-Axis) (mm [in]) = 7.49 [0.2949]</li> <li>• Profile Height (Y-Axis) (mm [in]) = 15.16 [0.5968]</li> </ul> <p><b>Body Features:</b></p> <ul style="list-style-type: none"> <li>• Row-to-Row Spacing (mm [in]) = 2.54 [0.100]</li> </ul> <p><b>Contact Features:</b></p> <ul style="list-style-type: none"> <li>• Contact Design = Tuning Fork</li> <li>• Contact Type = Socket</li> <li>• Contact Base Material = Phosphor Bronze</li> </ul>	<p><b>Configuration Features:</b></p> <ul style="list-style-type: none"> <li>• Number of Positions = 30</li> <li>• Number of Rows = 2</li> </ul> <p><b>Industry Standards:</b></p> <ul style="list-style-type: none"> <li>• <a href="#">RoHS/ELV Compliance</a> = RoHS compliant, ELV compliant</li> <li>• <a href="#">Lead Free Solder Processes</a> = Not relevant for lead free process</li> <li>• RoHS/ELV Compliance History = Always was RoHS compliant</li> <li>• Agency/Standard = CSA, UL</li> <li>• UL Rating = Recognized</li> <li>• UL Voltage Rating (VAC) = 250</li> </ul> <p><b>Environmental:</b></p> <ul style="list-style-type: none"> <li>• Operating Temperature (°C [°F]) = -65 - +105 [-85 - +221]</li> </ul> <p><b>Conditions for Usage:</b></p> <ul style="list-style-type: none"> <li>• <a href="#">Applies To</a> = Wire/Cable</li> <li>• Accepts Wire Insulation Diameter, Range (mm [in]) = 0.787 - 0.94 [0.031 - 0.037]</li> </ul> <p><b>Operation/Application:</b></p> <ul style="list-style-type: none"> <li>• Application Use = Wire-to-Board</li> <li>• Contact Transmits (Typical Application) = Signal (Data)</li> </ul> <p><b>Packaging Features:</b></p> <ul style="list-style-type: none"> <li>• Packaging Method = Box</li> </ul> <p><b>Other:</b></p> <ul style="list-style-type: none"> <li>• Brand = AMP</li> </ul>

- Contact Plating, Mating Area, Material = Gold or Palladium Nickel or Performance Based
- Contact Plating, Mating Area, Thickness ( $\mu\text{m}$  [ $\mu\text{in}$ ]) = 0.38 [15]

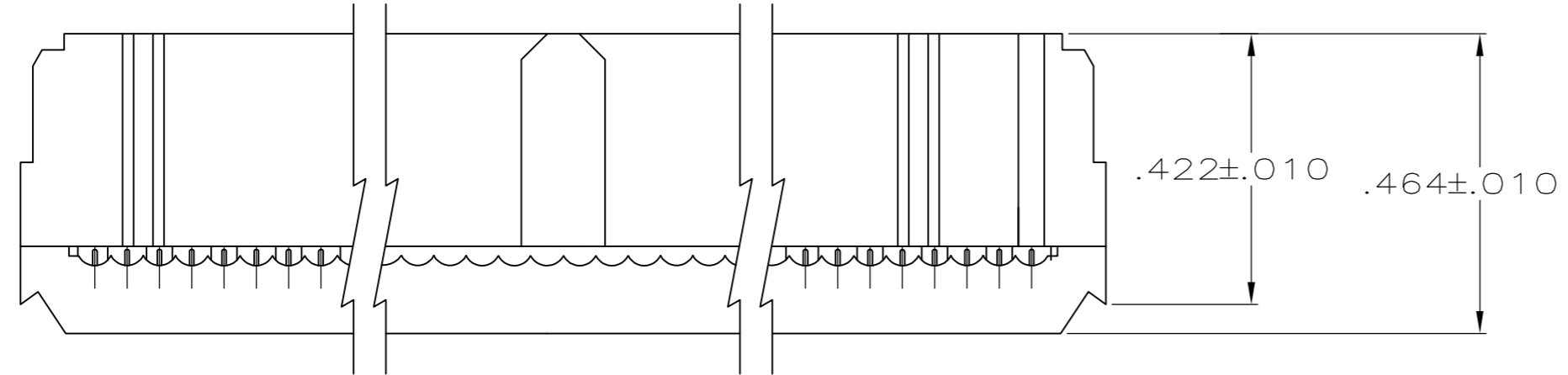
**Housing Features:**

- Connector Style = Receptacle
- Centerline (mm [ $\text{in}$ ]) = 2.54 [0.100]
- Mating Alignment = With
- Mating Alignment Type = Polarization
- Housing Color = Black
- UL Flammability Rating = UL 94V-0

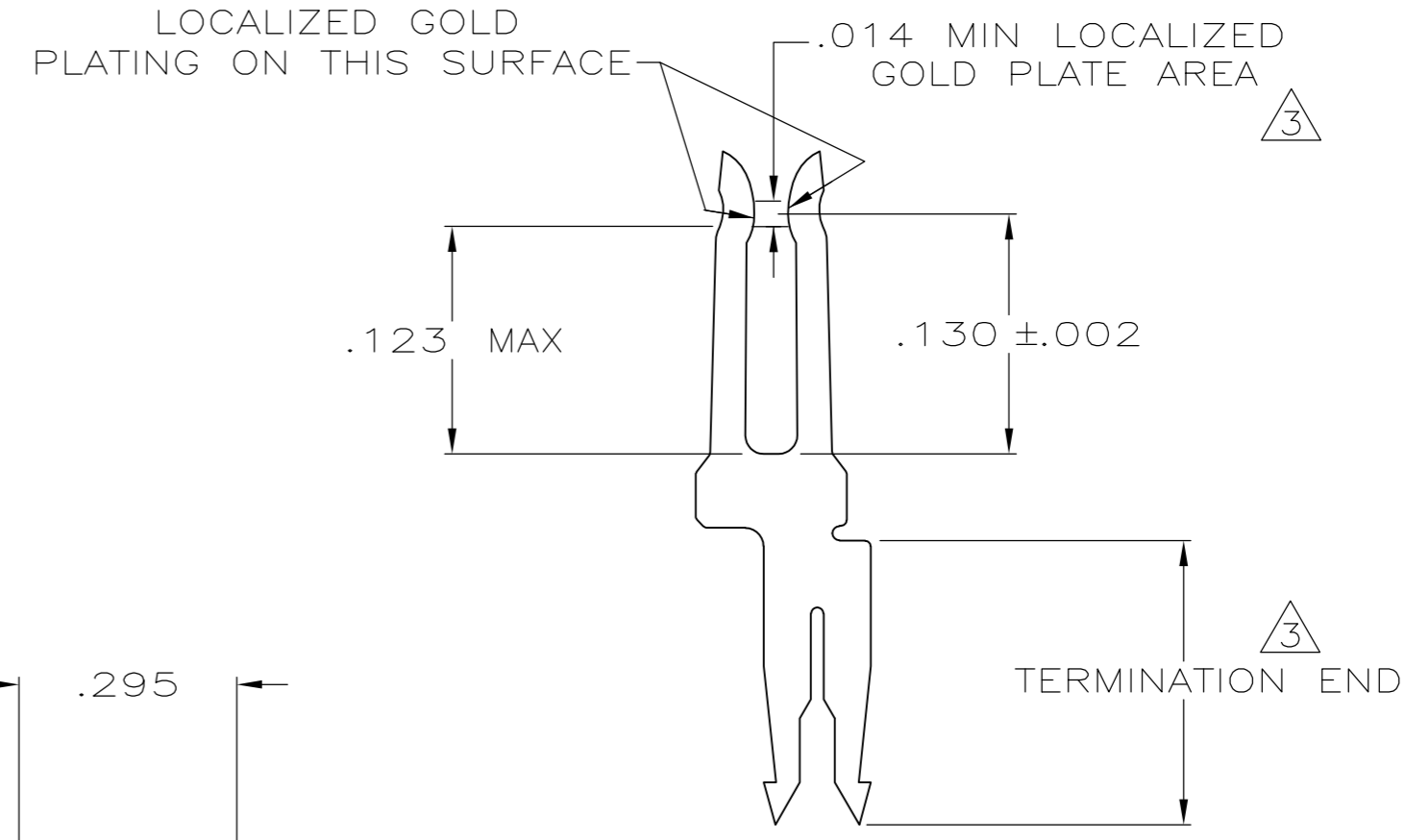
THIS DRAWING IS UNPUBLISHED. RELEASED FOR PUBLICATION  
 © COPYRIGHT - By - ALL RIGHTS RESERVED.

LOC		DIST		REVISIONS			
P	LTR	DESCRIPTION		DATE	DWN	APVD	
GP	00	C1	REVISED PER ECO-11-004835		11MAR11	RK	HMR

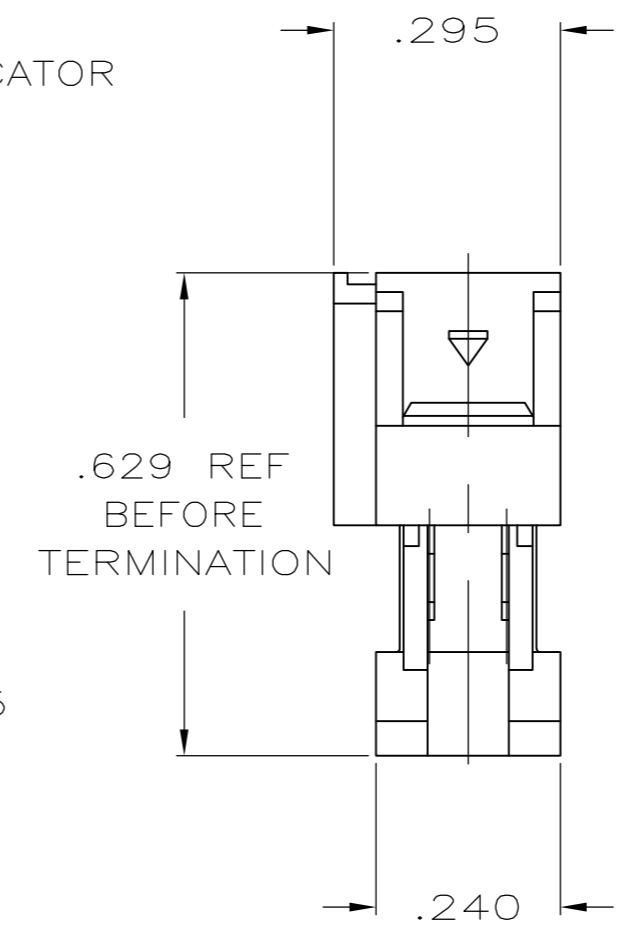
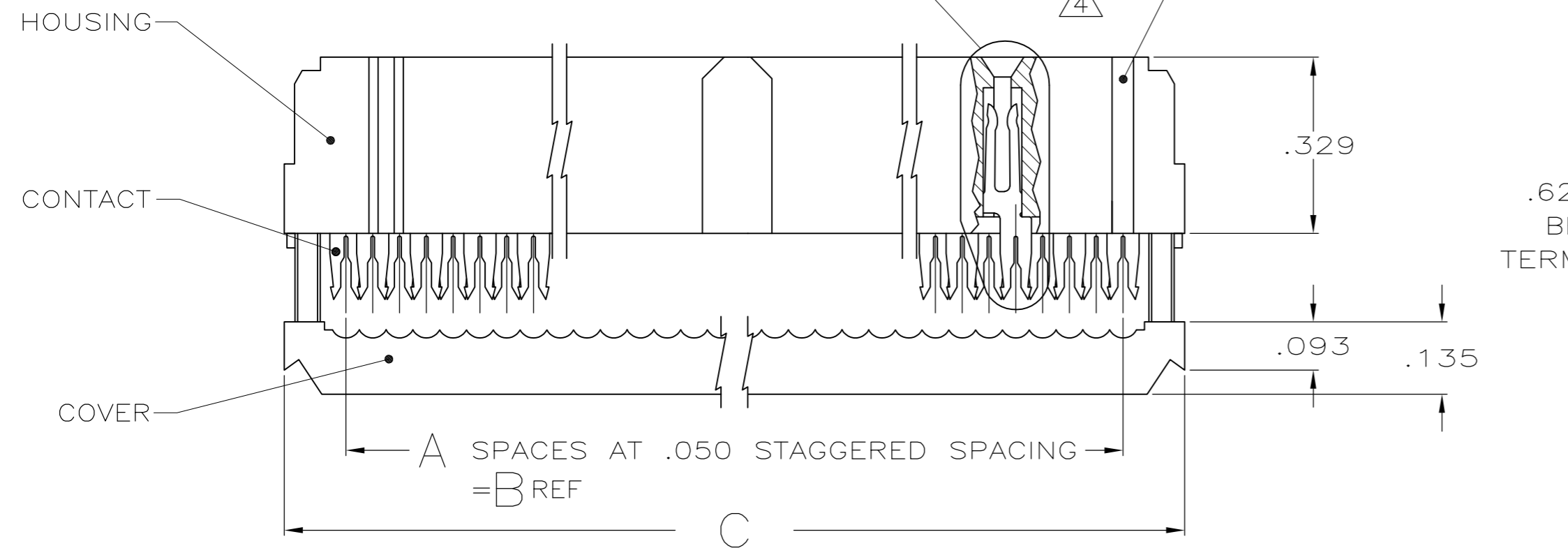
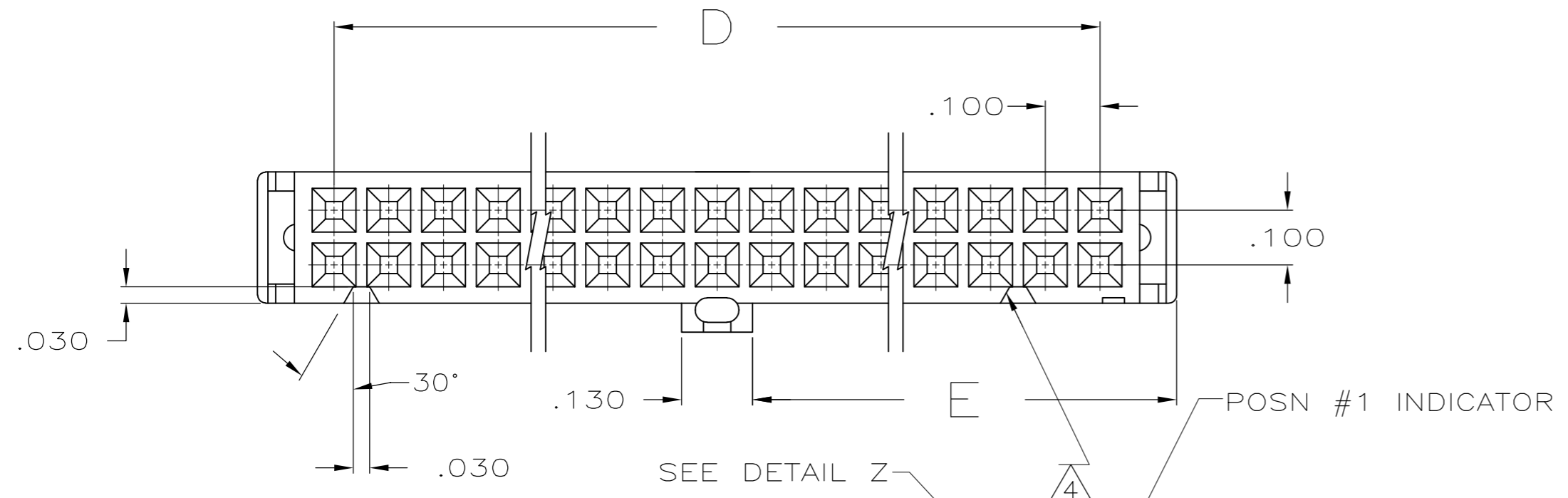
- ① MOLDED PARTS: UL RATED 94V-0 THERMOPLASTIC, BLACK.
- ② CONTACTS: PHOSPHOR BRONZE PER QQ-B-750.
- ③ CONTACTS: PLATED WITH .000015 MIN GOLD IN LOCALIZED GOLD PLATE AREA, .000050 MIN TIN ON TERMINATION END, ALL OVER .000050 MIN NICKEL ON ENTIRE CONTACT.  
OR  
GOLD FLASH OVER PALLADIUM-NICKEL PLATE .000015 MIN TOTAL IN LOCALIZED GOLD PLATE AREA, .000050 MIN TIN ON TERMINATION END, ALL OVER .000050 MIN NICKEL ON ENTIRE CONTACT.
- ④ POLARIZING FEATURE DOES NOT EXIST ON SAME END AS THE POSITION NUMBER 1 INDICATOR ON 10 AND 14 POSITION PRODUCT.



TERMINATED VIEW



DETAIL Z  
SCALE 10:1  
TYPICAL



1.125	2.100	2.380	2.150	43	44	1-1658621-3
1.625	3.100	3.380	3.150	63	64	1-1658621-2
1.525	2.900	3.180	2.950	59	60	1-1658621-1
1.275	2.400	2.680	2.450	49	50	1-1658621-0
1.025	1.900	2.180	1.950	39	40	1658621-9
.875	1.600	1.880	1.650	33	34	1658621-8
.775	1.400	1.680	1.450	29	30	1658621-7
.675	1.200	1.480	1.250	25	26	1658621-6
.625	1.100	1.380	1.150	23	24	1658621-5
.525	.900	1.180	.950	19	20	1658621-4
.425	.700	.980	.750	15	16	1658621-3
.375	.600	.880	.650	13	14	1658621-2
.275	.400	.680	.450	9	10	1658621-1
E	D	C	B	A	NO OF POSN	PART NUMBER

THIS DRAWING IS A CONTROLLED DOCUMENT.

DWN R. SAMICK 22AUG03	 TE Connectivity RECEPTACLE ASSY, CENTER & MILITARY POLARIZATION, LEAD FREE, AMP-LATCH™ NOVO					
CHK C. ROHDE 22AUG03						
APVD M. WALMSLEY 22AUG03						
NAME						
DIMENSIONS: INCHES	TOLERANCES UNLESS OTHERWISE SPECIFIED:	PRODUCT SPEC 108-40000	SIZE A2	CAGE CODE 00779	DRAWING NO C=1658621	RESTRICTED TO
MATERIAL SEE NOTES	FINISH SEE NOTES	APPLICATION SPEC 114-40005	SCALE 4:1	SHEET 1 of 1	REV C1	
CUSTOMER DRAWING		SCALE 4:1		SHEET 1 of 1		REV C1