

1658647-1 Product Details

[Share](#) [Print](#) [Email](#)




1658647-1

TE Internal Number: 1658647-1

 Active

[View 3D PDF](#)

Standard Cable Connectors

 Always EU RoHS/ELV Compliant
(Statement of Compliance)

Product Highlights:

- Connector
- Product Series = HDP-20 (Crimp Snap)
- 15 Positions
- With Enclosure
- Shielded

[View all Features](#)

Quick Links

- ▶ [Pricing & Availability](#)
- ▶ [Search for Tooling](#)
- ▶ [View Mating Products \(10\)](#)
- ▶ [View Plug Kits \(4\)](#)
- ▶ [Product Feature Selector](#)
- ▶ [Contact Us About This Product](#)

[Add to My Part List](#)

[Request Sample](#)

[Find Similar Products](#)

[Buy Product](#)

Documentation & Additional Information

Product Drawings:

- [KIT, PLUG, SHIELDING HARDWARE, SIZE 2, 15 POSITION, ...](#) (PDF, English)

Catalog Pages/Data Sheets:

- [AMPLIMITE Subminiature D Connectors - Cable Connectors](#) (PDF, English)

Product Specifications:

- [AMPLIMITE HDP-20 Subminiature D Connector With F Cri...](#) (PDF, English)

Application Specifications:

- [AMPLIMITE HDP-20 and Economy Crimp Snap Subminiature...](#) (PDF, English)

Instruction Sheets:

- [Shielding Hardware Kits w/AMPLIMITE hde-20 hdp-20 an...](#) (PDF, English)
- [Insertion/Extraction Tool 91285-1 and Replacement Ti...](#) (PDF, English)

CAD Files: (CAD Format & Compression Information)

- [2D Drawing](#) (DXF, Version 0)
- [3D Model](#) (IGES, Version 0)
- [3D Model](#) (STEP, Version 0)

[List all Documents](#)

Additional Information:

- [Product Line Information](#)

Related Products:

- [Tooling](#)
- [Mating Products \(10\)](#)
- [Plug Kits \(4\)](#)

Product Features (Please use the Product Drawing for all design activity)

Product Type Features:

- [Product Type](#) = Connector
- [Product Series](#) = HDP-20 (Crimp Snap)
- [Mating Connector Lock](#) = With
- [Mating Connector Lock Type](#) = Mounting Holes
- [Shell Size](#) = 2
- [Shell Type](#) = Full Metal Shell
- [Grounding Indents](#) = With
- [Grade](#) = Standard
- [Color](#) = Black
- [Shell Material](#) = Steel
- [Shield Material](#) = Steel

Housing Features:

- [Enclosure](#) = With
- [Connector Style](#) = Plug
- [Housing Material](#) = Nylon
- [UL Flammability Rating](#) = UL 94V-0
- [Housing Color](#) = Black

Configuration Features:

- [Number of Positions](#) = 15
- [Preloaded](#) = No
- [Pre-Assembled](#) = No

<p>Electrical Characteristics:</p> <ul style="list-style-type: none"> Shielded = Yes <p>Dimensions:</p> <ul style="list-style-type: none"> Cable Insulation Diameter (mm [in]) = 4.19 – 11.56 [0.165 – 0.455] Cable Diameter (Max.) (mm [in]) = 8.89 [0.350] <p>Body Features:</p> <ul style="list-style-type: none"> Shell Plating = Tin over Copper Shield Plating = Tin Insert Material = Thermoplastic <p>Contact Features:</p> <ul style="list-style-type: none"> Contact Size = 20 	<p>Industry Standards:</p> <ul style="list-style-type: none"> RoHS/ELV Compliance = RoHS compliant, ELV compliant Lead Free Solder Processes = Not relevant for lead free process RoHS/ELV Compliance History = Always was RoHS compliant Insert Flammability Rating = UL 94V-0 <p>Packaging Features:</p> <ul style="list-style-type: none"> Packaging Method = Bulk Packaging Quantity = 100 <p>Other:</p> <ul style="list-style-type: none"> Brand = AMP Comment = Maximum cable diameter after jacket and braid removed.; Components shipped unassembled, each part bulk-packaged.; Plugs accept size 20 DF pin contacts.
---	--

Corporate Information

- [About TE](#)
- [Investors](#)
- [News Room](#)
- [Supplier Portal](#)
- [Careers](#)
- [Terms & Conditions](#)
- [Privacy Policy](#)

Quick Links

- [Distributor Inventory](#)
- [Product Cross Reference](#)
- [Documents & Drawings](#)
- [Product Compliance Support Center](#)
- [Site Map](#)

Customer Support

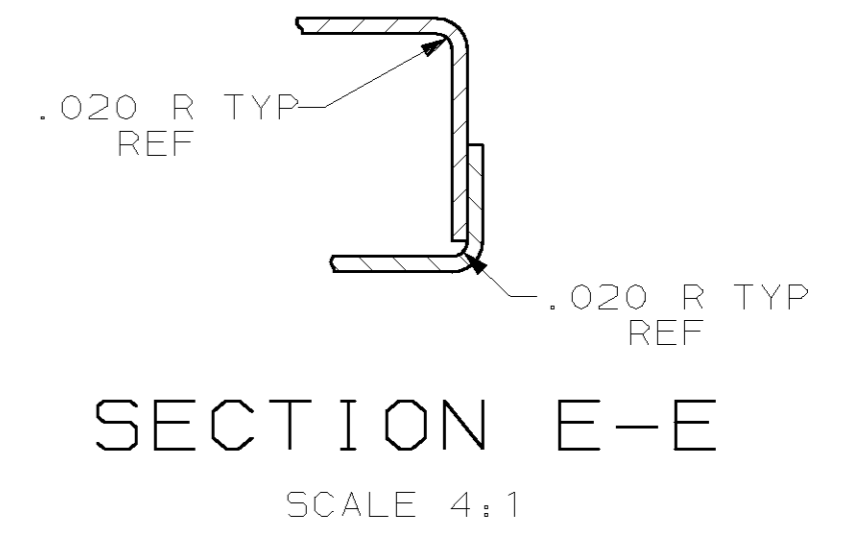
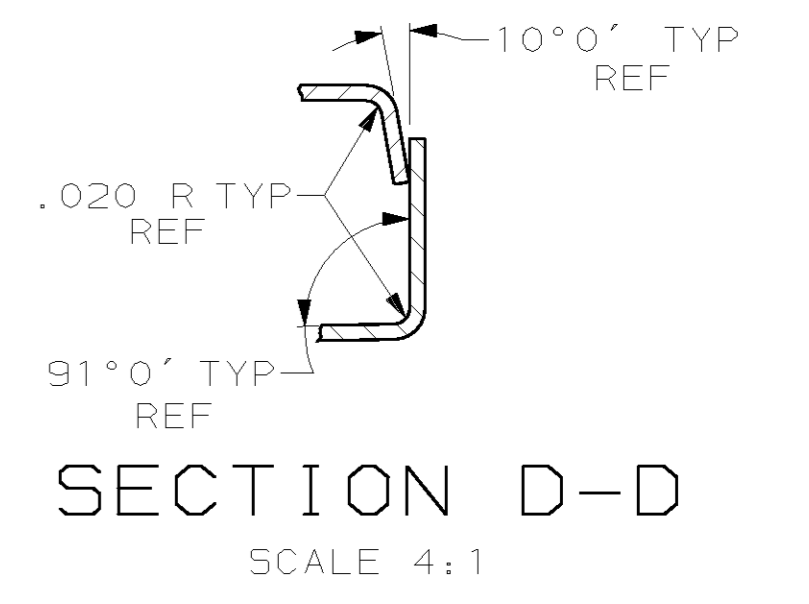
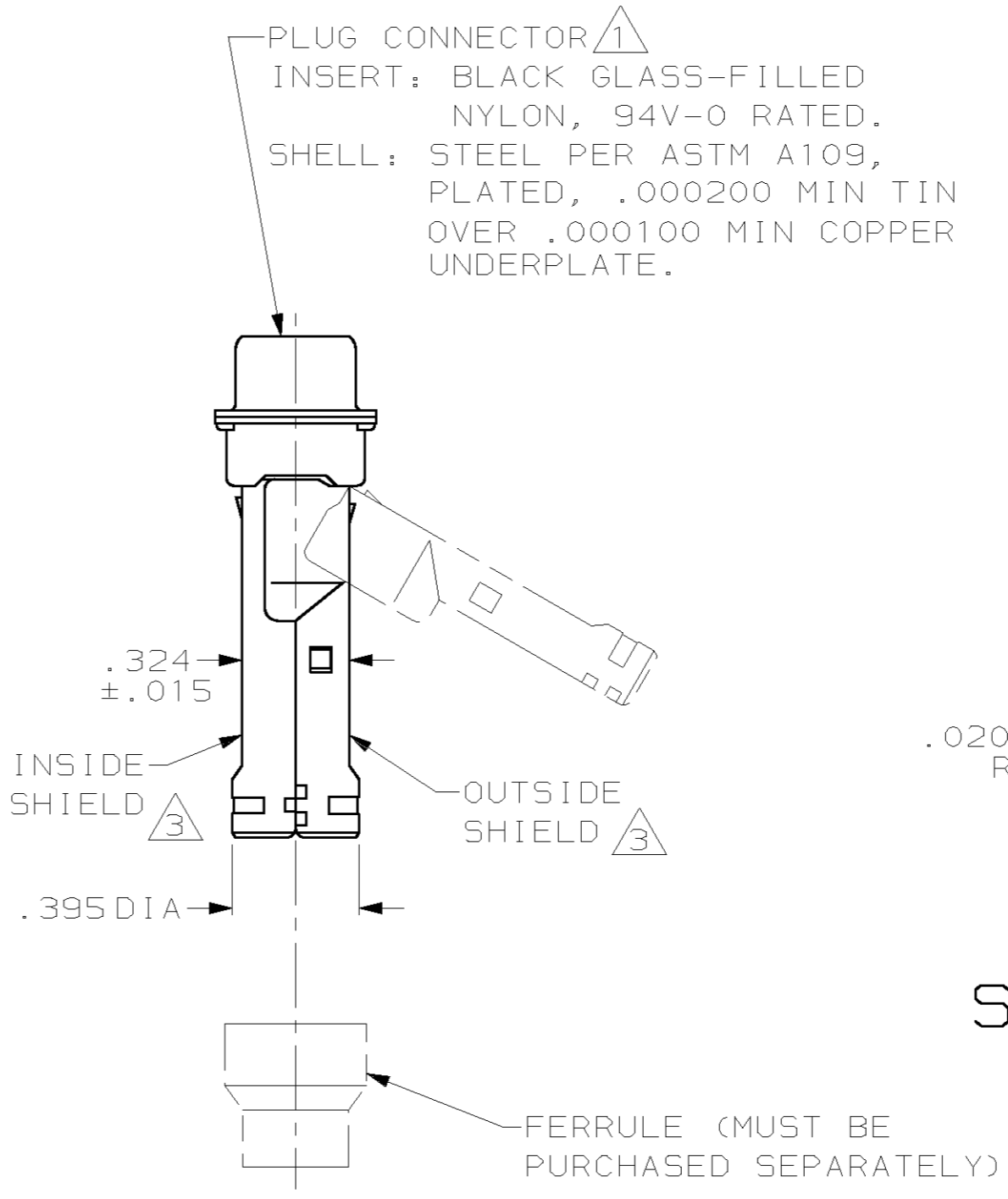
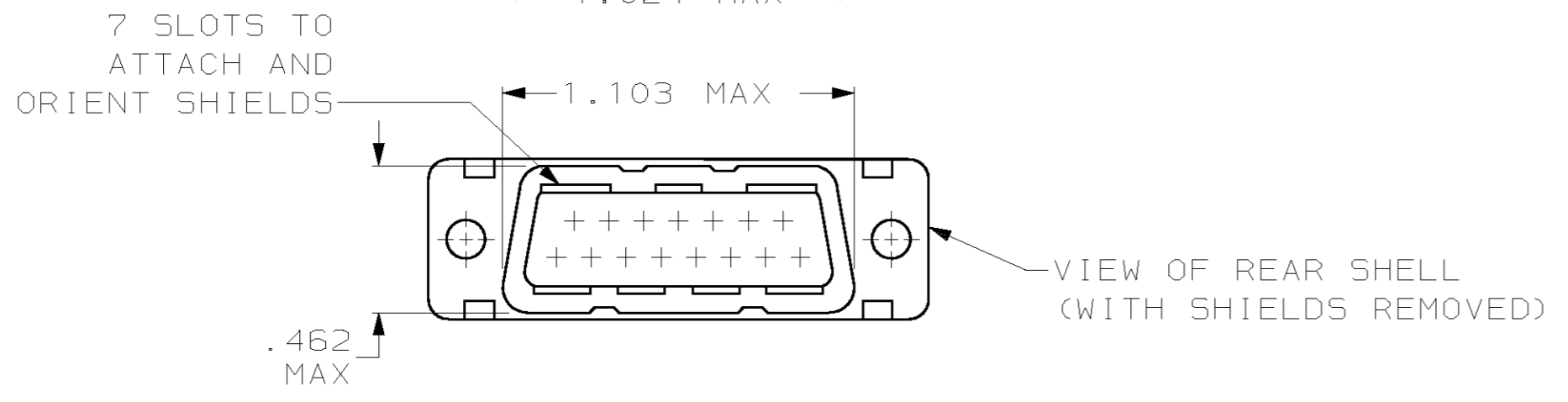
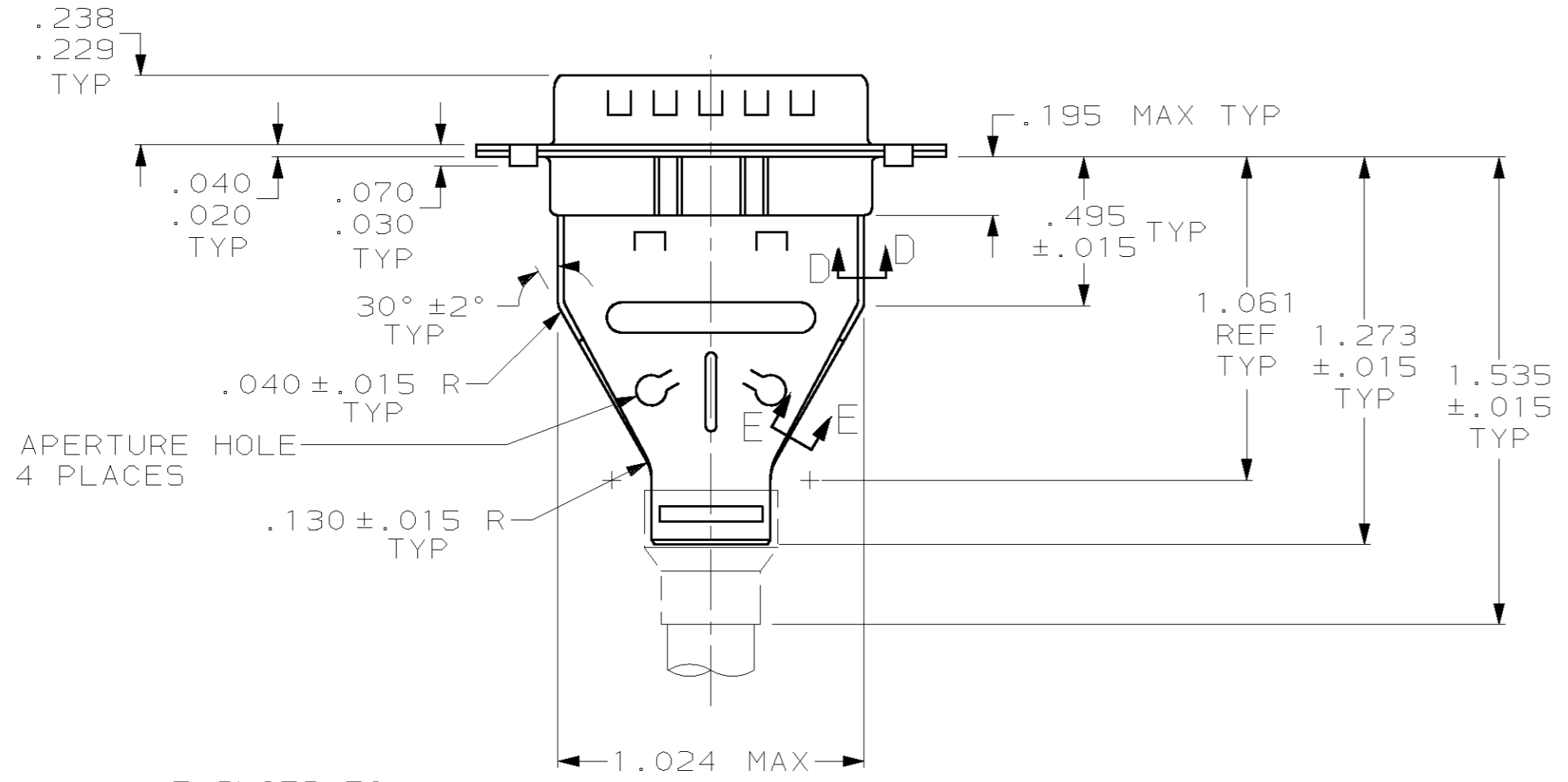
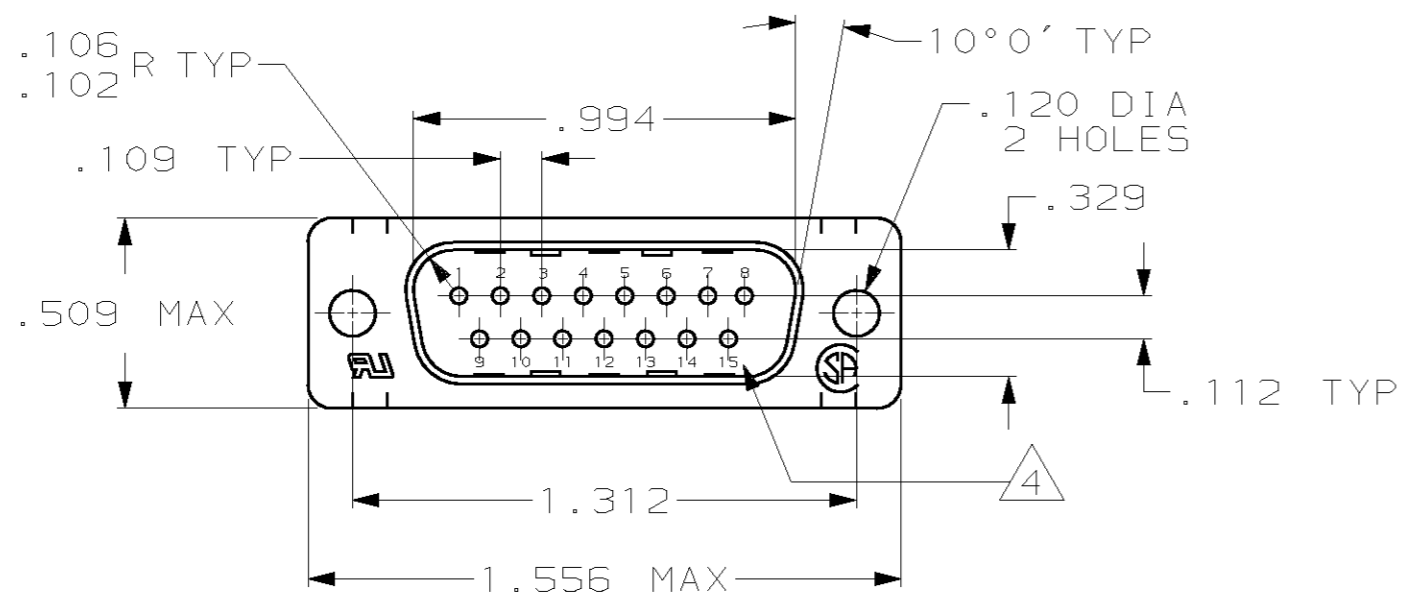
- [Email or Chat With Us](#)
- [Find a Phone Number](#)
- [Knowledge Base](#)
- [Manage Your Account](#)

Keep Me Informed



THIS DRAWING IS UNPUBLISHED. RELEASED FOR PUBLICATION
 BY AMP INCORPORATED. ALL RIGHTS RESERVED.

LOC	DIST	REVISIONS			
P	LTR	DESCRIPTION	DATE	DWN	APVD
GP	00	0	RELEASED PER EC 0513-0196-03	30JUL03	JR JG



- 1 PLUG ACCEPTS SIZE 20 PIN CONTACTS (CONTACTS MUST BE ORDERED SEPARATELY).
- 2. ALL PARTS SHIPPED UNASSEMBLED, EACH PART INDIVIDUALLY BULK PACKED.
- 3 SHIELDS: MATERIAL-.020 THICK STEEL, PER ASTM A109, PLATED .000200 MIN TIN OVER .000100 MIN COPPER UNDERPLATE.
- 4 RAISED CAVITY IDENTIFICATION AND AMP TRADEMARK.

1658647-1
 PART NUMBER

THIS DRAWING IS A CONTROLLED DOCUMENT.		DWN	J.REITZEL	30JUL03	AMP Incorporated Harrisburg, PA 17105-3608
DIMENSIONS: INCH		CHK	S.BOLASH	30JUL03	
TOLERANCES UNLESS OTHERWISE SPECIFIED:		APVD	M.WALMSLEY	30JUL03	
0 PLC ± 1 PLC ± 2 PLC ± 3 PLC ±.005 4 PLC ± ANGLES ±0°30'		PRODUCT SPEC	108-40030		
MATERIAL SEE CALL OUT 3		FINISH	SEE CALL OUT 3		APPLICATION SPEC
		WEIGHT	-		114-40030
		CUSTOMER DRAWING	SCALE	2:1	SHEET 1 OF 1
			RESTRICTED TO		REV 0