

Distributed by:

**JAMECO**<sup>®</sup>  
ELECTRONICS

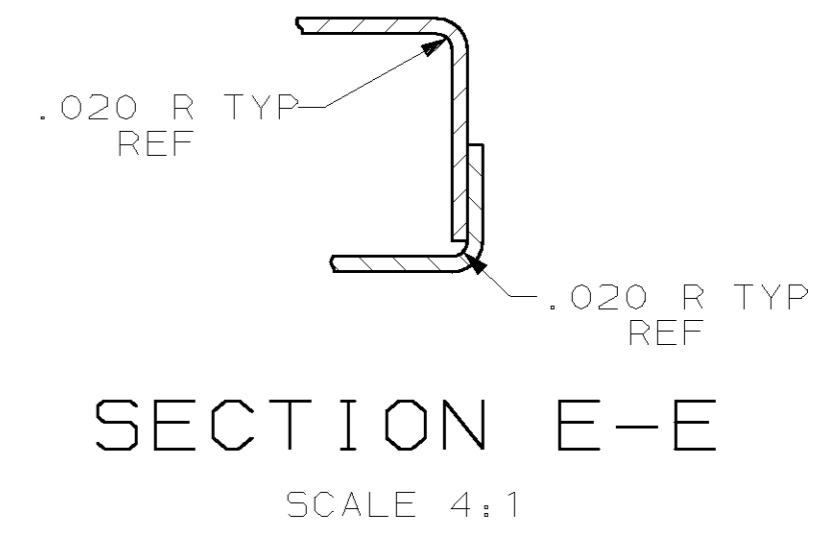
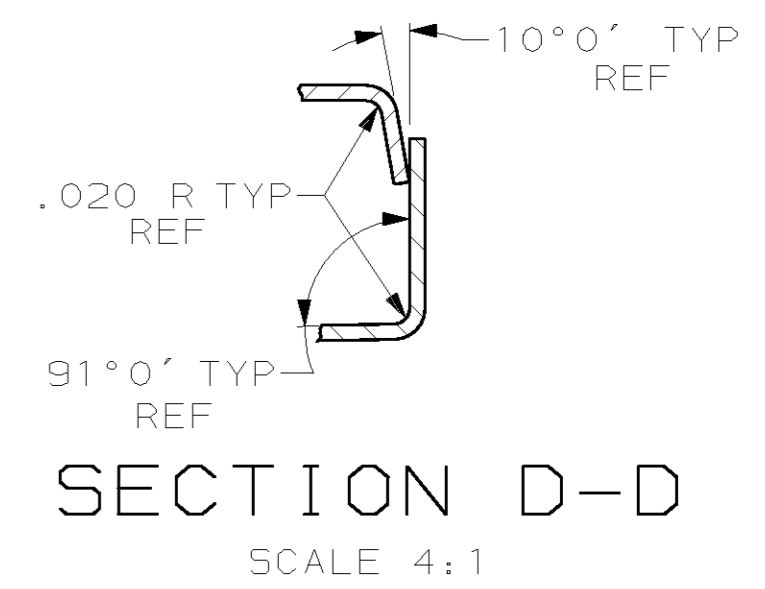
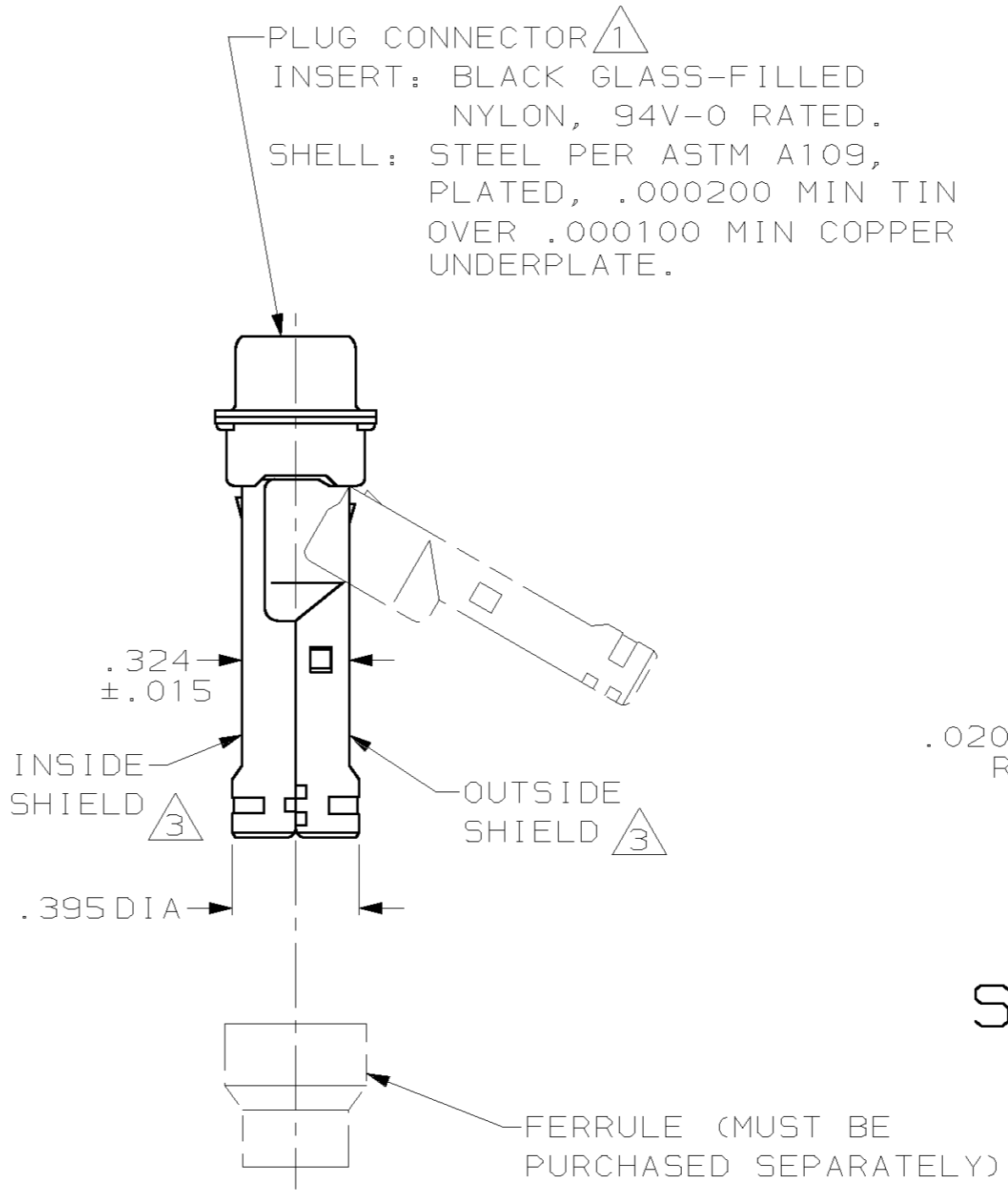
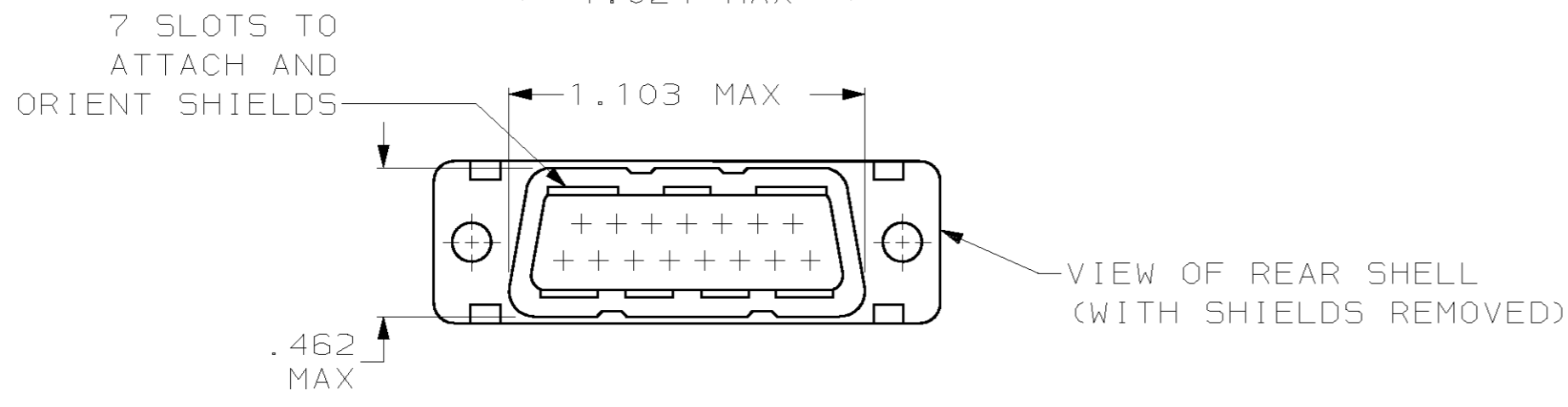
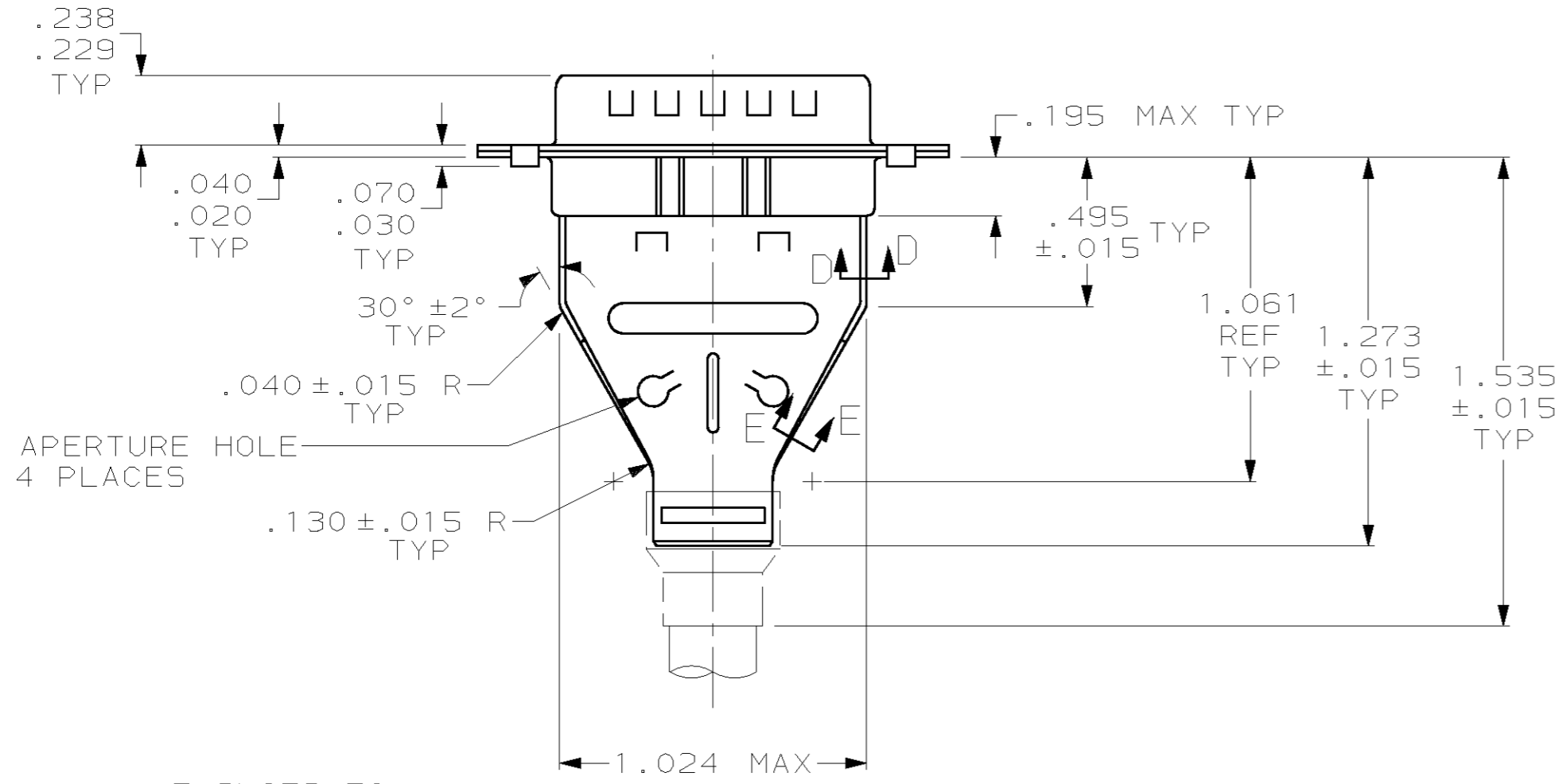
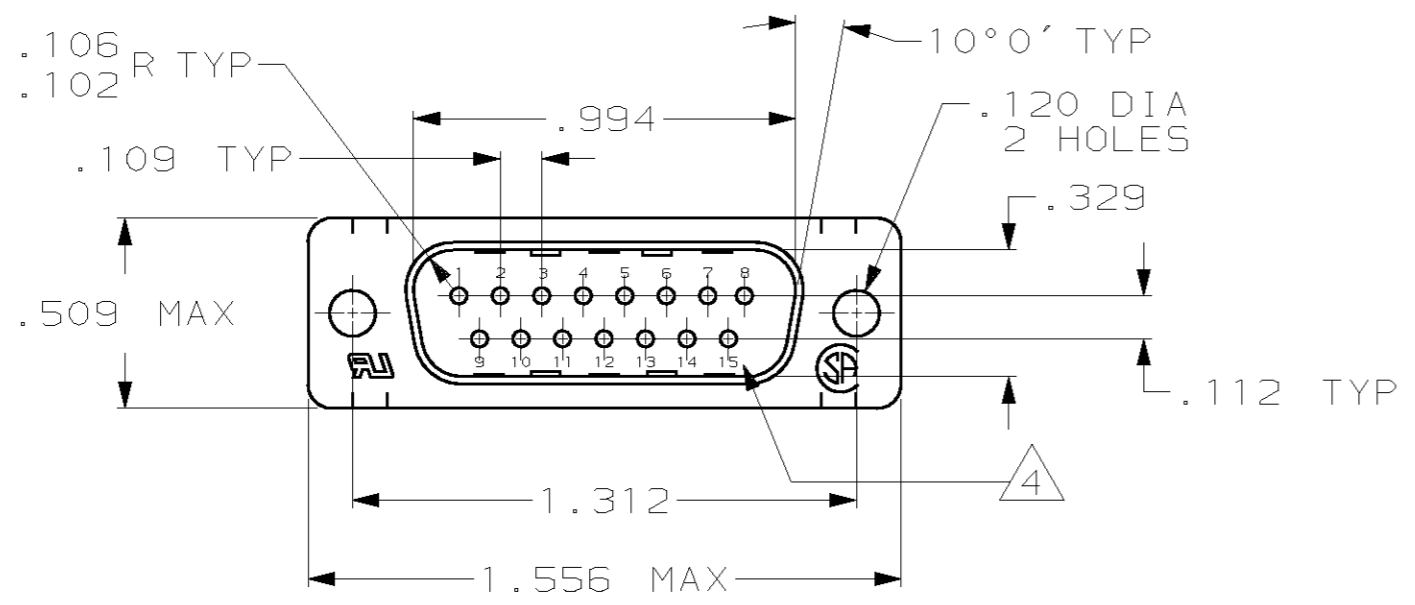
**www.Jameco.com ♦ 1-800-831-4242**

The content and copyrights of the attached  
material are the property of its owner.

Jameco Part Number 1962834

THIS DRAWING IS UNPUBLISHED. RELEASED FOR PUBLICATION  
 BY AMP INCORPORATED. ALL RIGHTS RESERVED.

LOC	DIST	REVISIONS			
P	LTR	DESCRIPTION	DATE	DWN	APVD
GP	00	0	RELEASED PER EC 0513-0196-03	30JUL03	JR JG



- 1 PLUG ACCEPTS SIZE 20 PIN CONTACTS (CONTACTS MUST BE ORDERED SEPARATELY).
- 2. ALL PARTS SHIPPED UNASSEMBLED, EACH PART INDIVIDUALLY BULK PACKED.
- 3 SHIELDS: MATERIAL-.020 THICK STEEL, PER ASTM A109, PLATED .000200 MIN TIN OVER .000100 MIN COPPER UNDERPLATE.
- 4 RAISED CAVITY IDENTIFICATION AND AMP TRADEMARK.

1658647-1  
 PART NUMBER

THIS DRAWING IS A CONTROLLED DOCUMENT.		DWN	J.REITZEL	30JUL03	AMP Incorporated Harrisburg, PA 17105-3608
DIMENSIONS: INCH		CHK	S.BOLASH	30JUL03	
TOLERANCES UNLESS OTHERWISE SPECIFIED:		APVD	M.WALMSLEY	30JUL03	
0 PLC ± 1 PLC ± 2 PLC ± 3 PLC ±.005 4 PLC ± ANGLES ±0°30'		PRODUCT SPEC	108-40030		
MATERIAL SEE CALL OUT		FINISH	SEE CALL OUT		APPLICATION SPEC
				WEIGHT	-
				CUSTOMER DRAWING	
NAME			KIT, PLUG, SHIELDING HARDWARE, SIZE 2, 15 POSITION, AMPLIMITE™ HDP-20		
SIZE	CAGE CODE	DRAWING NO	RESTRICTED TO		
A2	00779	C-1658647	-		
SCALE	SHEET	OF	REV		
2:1	1	1	0		