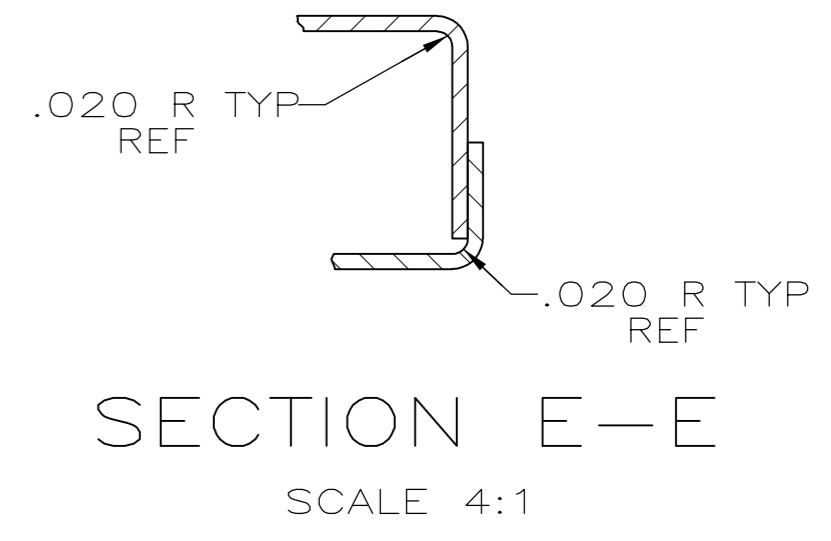
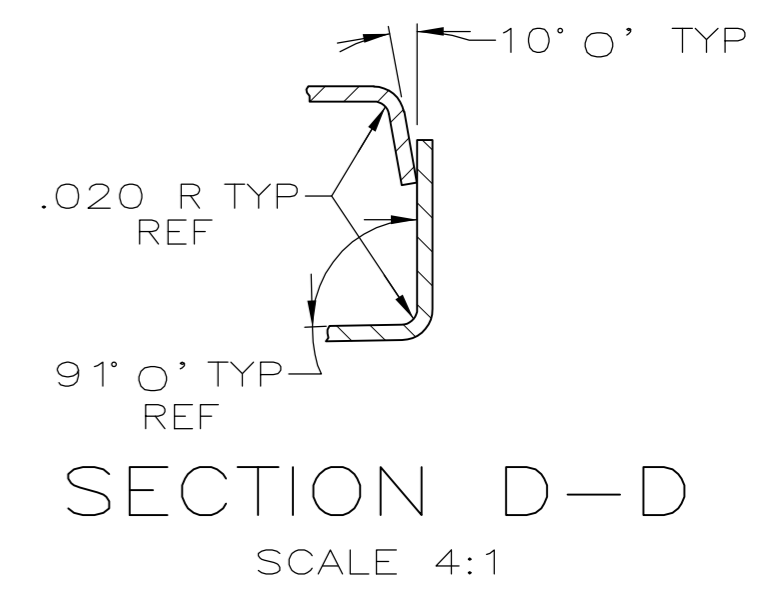
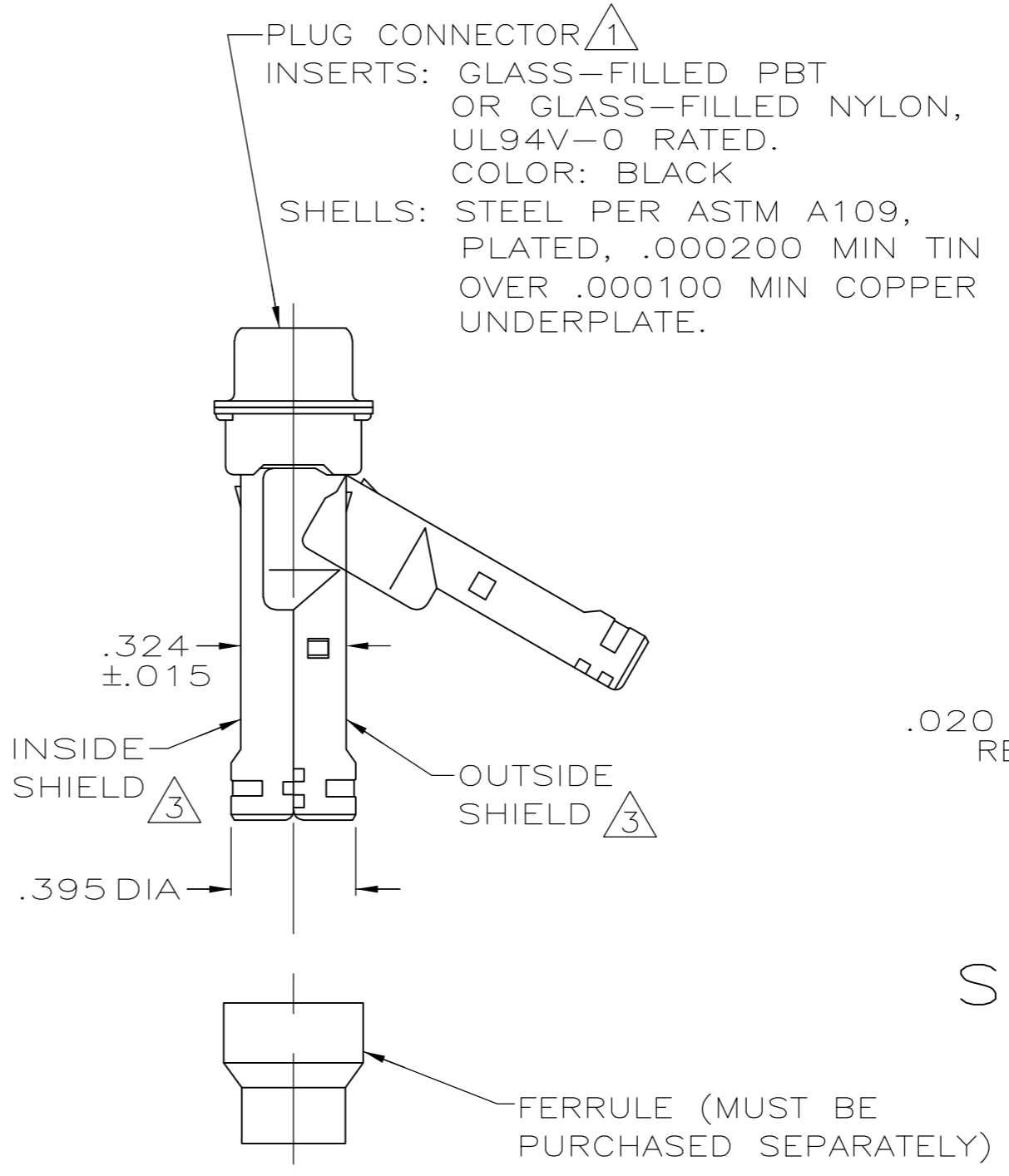
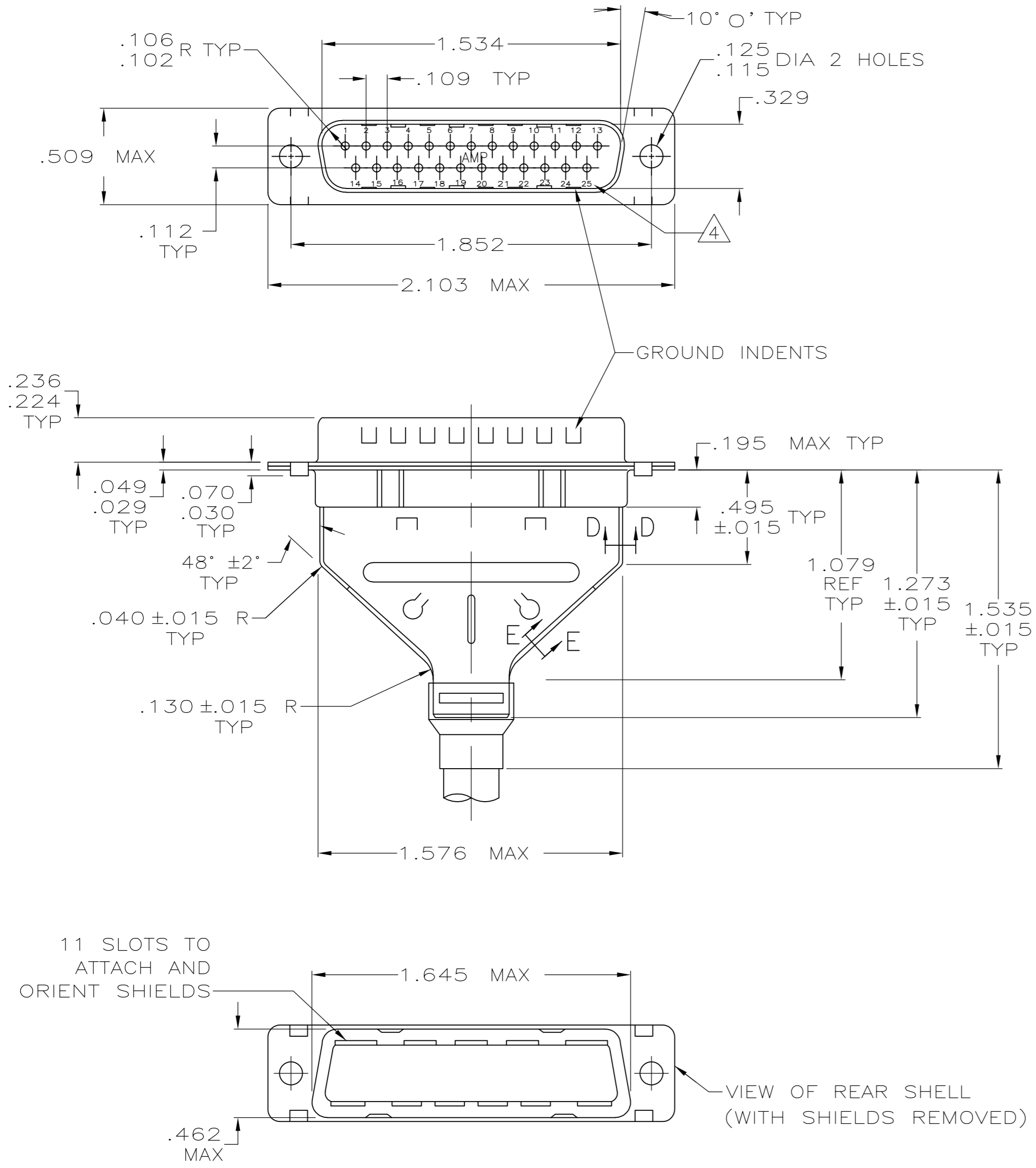


THIS DRAWING IS UNPUBLISHED. RELEASED FOR PUBLICATION
 © COPYRIGHT - By - ALL RIGHTS RESERVED.

LOC		DIST		REVISIONS			
P	LTR	DESCRIPTION		DATE	DWN	APVD	
GP	00	A	REVISED PER ECO-14-011808		09AUG2014	AP	SB



- 1 PLUG ACCEPTS SIZE 20 PIN CONTACTS (CONTACTS MUST BE ORDERED SEPARATELY).
- 2. ALL PARTS SHIPPED UNASSEMBLED, EACH PART INDIVIDUALLY BULK PACKED.
- 3 SHIELDS: MATERIAL—.020 THICK STEEL, PER ASTM A109, PLATED .000200 MIN TIN OVER .000100 MIN COPPER UNDERPLATE.
- 4 RAISED CAVITY IDENTIFICATION AND AMP TRADEMARK.

1658648-1
 PART NUMBER

THIS DRAWING IS A CONTROLLED DOCUMENT.		DWN J.REITZEL 30JUL03		
DIMENSIONS: INCHES		CHK S.BOLASH 30JUL03		
TOLERANCES UNLESS OTHERWISE SPECIFIED:		APVD M.WALMSLEY 30JUL03	NAME	
0 PLC ± -		PRODUCT SPEC	KIT, PLUG, SHIELDING HARDWARE, SIZE 3, 25 POSITION, AMPLIMITE™ HDP-20	
1 PLC ± -		APPLICATION SPEC	SIZE	CAGE CODE
2 PLC ± -		108-40030	A2	00779
3 PLC ± .005		114-40030	DRAWING NO	RESTRICTED TO
4 PLC ± -		WEIGHT -	C=1658648	-
ANGLES ± 0° 30'		CUSTOMER DRAWING	SCALE 2:1	SHEET 1 of 1
FINISH			REV A	

1658648