



**Have a Question?**  
 Chat with a Product Information Specialist

What can we help you find?

[Products](#) [Industries](#) [Resources](#) [About TE](#) [My Account](#) [Innovation](#) [Support Center](#)

**1658648-1 Product Details**

[Share](#) [Print](#) [Email](#)



**1658648-1**

TE Internal Number: 1658648-1

Active

[View 3D PDF](#)

**Standard Cable Connectors**

Always EU RoHS/ELV Compliant (Statement of Compliance)

**Product Highlights:**

- Connector
- Product Series = HDP-20 (Crimp Snap)
- 25 Positions
- With Enclosure
- Shielded

[View all Features](#)

**Quick Links**

- ▶ [Pricing & Availability](#)
- ▶ [Search for Tooling](#)
- ▶ [View Mating Products \(8\)](#)
- ▶ [View Plug Kits \(4\)](#)
- ▶ [Product Feature Selector](#)
- ▶ [Contact Us About This Product](#)

[Add to My Part List](#) [Request Sample](#) [Find Similar Products](#) [Buy Product](#)

**Documentation & Additional Information**

**Product Drawings:**

- [KIT, PLUG, SHIELDING HARDWARE, SIZE 3, 25 POSITION, ... \(PDF, English\)](#)

**Catalog Pages/Data Sheets:**

- [AMPLIMITE Subminiature D Connectors - Cable Connectors \(PDF, English\)](#)

**Product Specifications:**

- [AMPLIMITE HDP-20 Subminiature D Connector With F Cri... \(PDF, English\)](#)

**Application Specifications:**

- [AMPLIMITE HDP-20 and Economy Crimp Snap Subminiature... \(PDF, English\)](#)

**Instruction Sheets:**

- [Shielding Hardware Kits w/AMPLIMITE hde-20 hdp-20 an... \(PDF, English\)](#)
- [Insertion/Extraction Tool 91285-1 and Replacement Ti... \(PDF, English\)](#)

**CAD Files: (CAD Format & Compression Information)**

- [2D Drawing \(DXF, Version 0\)](#)
- [3D Model \(IGES, Version 0\)](#)
- [3D Model \(STEP, Version 0\)](#)

[List all Documents](#)

**Additional Information:**

- [Product Line Information](#)

**Related Products:**

- [Tooling](#)
- [Mating Products \(8\)](#)
- [Plug Kits \(4\)](#)

**Product Features (Please use the Product Drawing for all design activity)**

**Product Type Features:**

- Product Type = Connector
- Product Series = HDP-20 (Crimp Snap)
- Mating Connector Lock = With
- Mating Connector Lock Type = Mounting Holes
- Shell Size = 3
- Shell Type = Full Metal Shell
- Grounding Indents = With
- Grade = Standard
- Color = Black
- Shell Material = Steel
- Shield Material = Steel

**Electrical Characteristics:**

- Shielded = Yes

**Dimensions:**

- Cable Insulation Diameter (mm [in]) = 4.19 - 11.56 [0.165 - 0.455]
- Cable Diameter (Max.) (mm [in]) = 8.89 [0.350]

**Body Features:**

- Shell Plating = Tin over Copper
- Shield Plating = Tin
- Insert Material = Thermoplastic

**Contact Features:**

- Contact Size = 20

**Housing Features:**

- Enclosure = With
- Connector Style = Plug
- Housing Material = Nylon
- UL Flammability Rating = UL 94V-0
- Housing Color = Black

**Configuration Features:**

- Number of Positions = 25
- Preloaded = No
- Pre-Assembled = No

**Industry Standards:**

- RoHS/ELV Compliance = RoHS compliant, ELV compliant
- Lead Free Solder Processes = Not relevant for lead free process
- RoHS/ELV Compliance History = Always was RoHS compliant
- Insert Flammability Rating = UL 94V-0

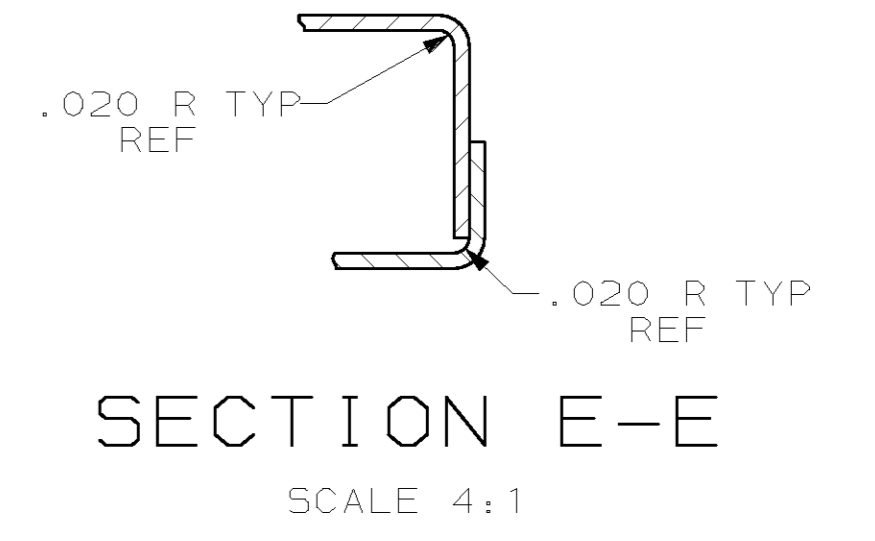
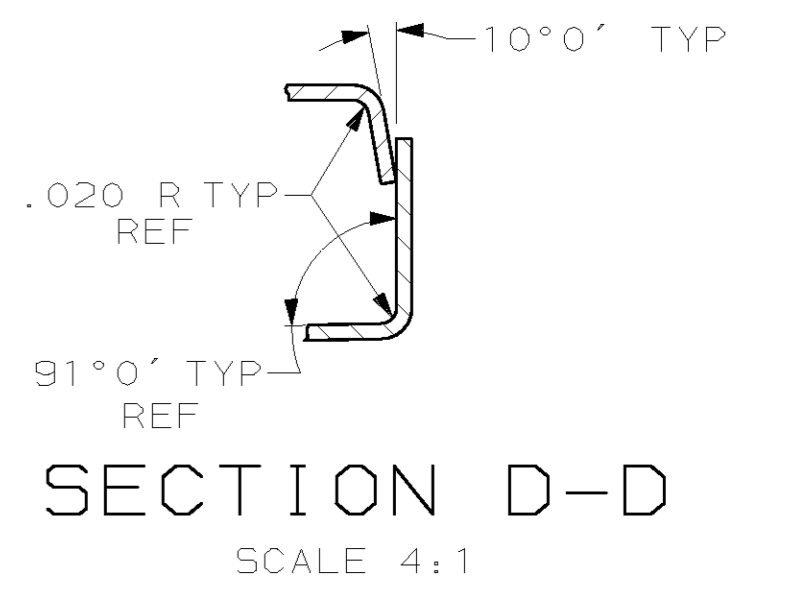
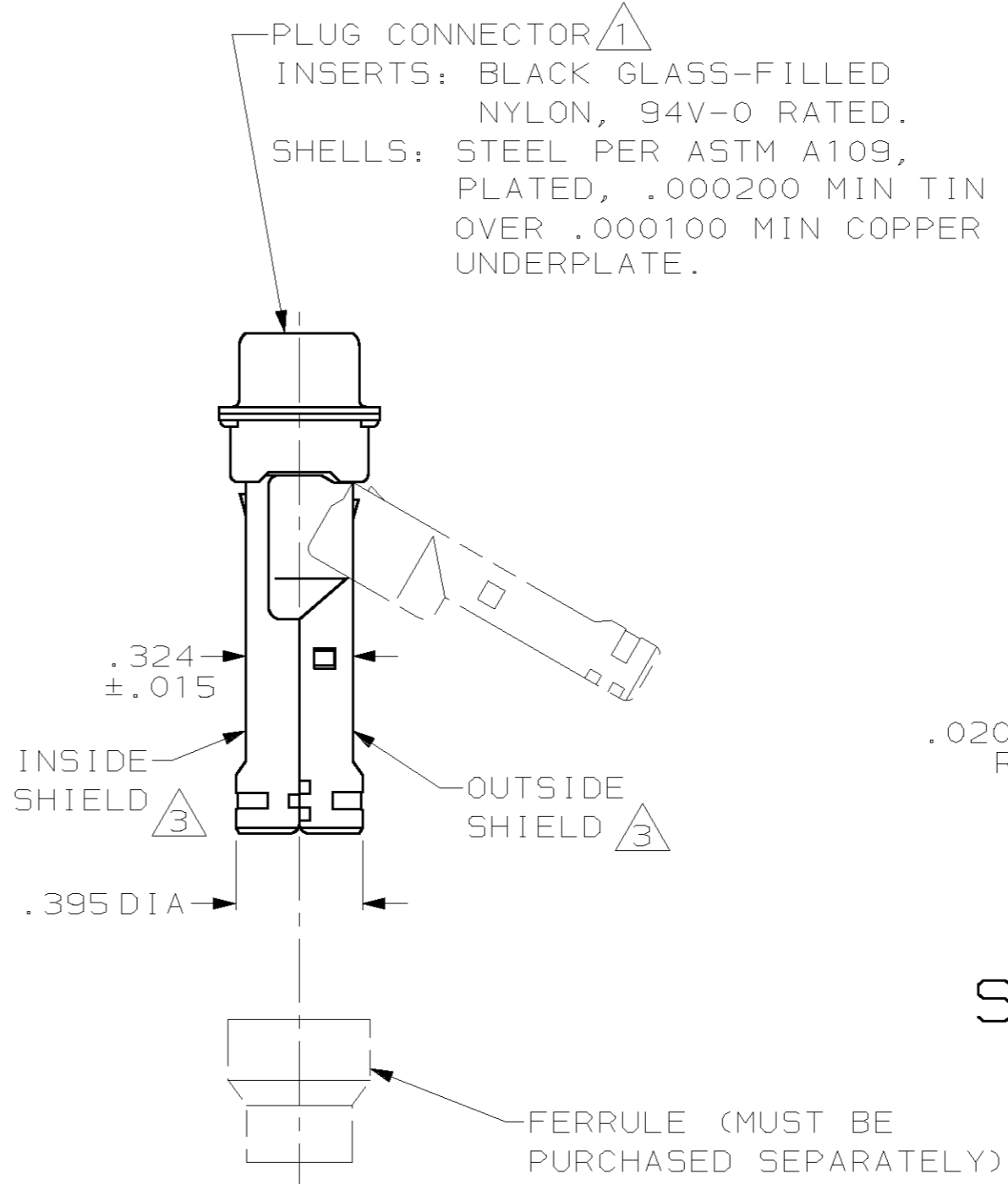
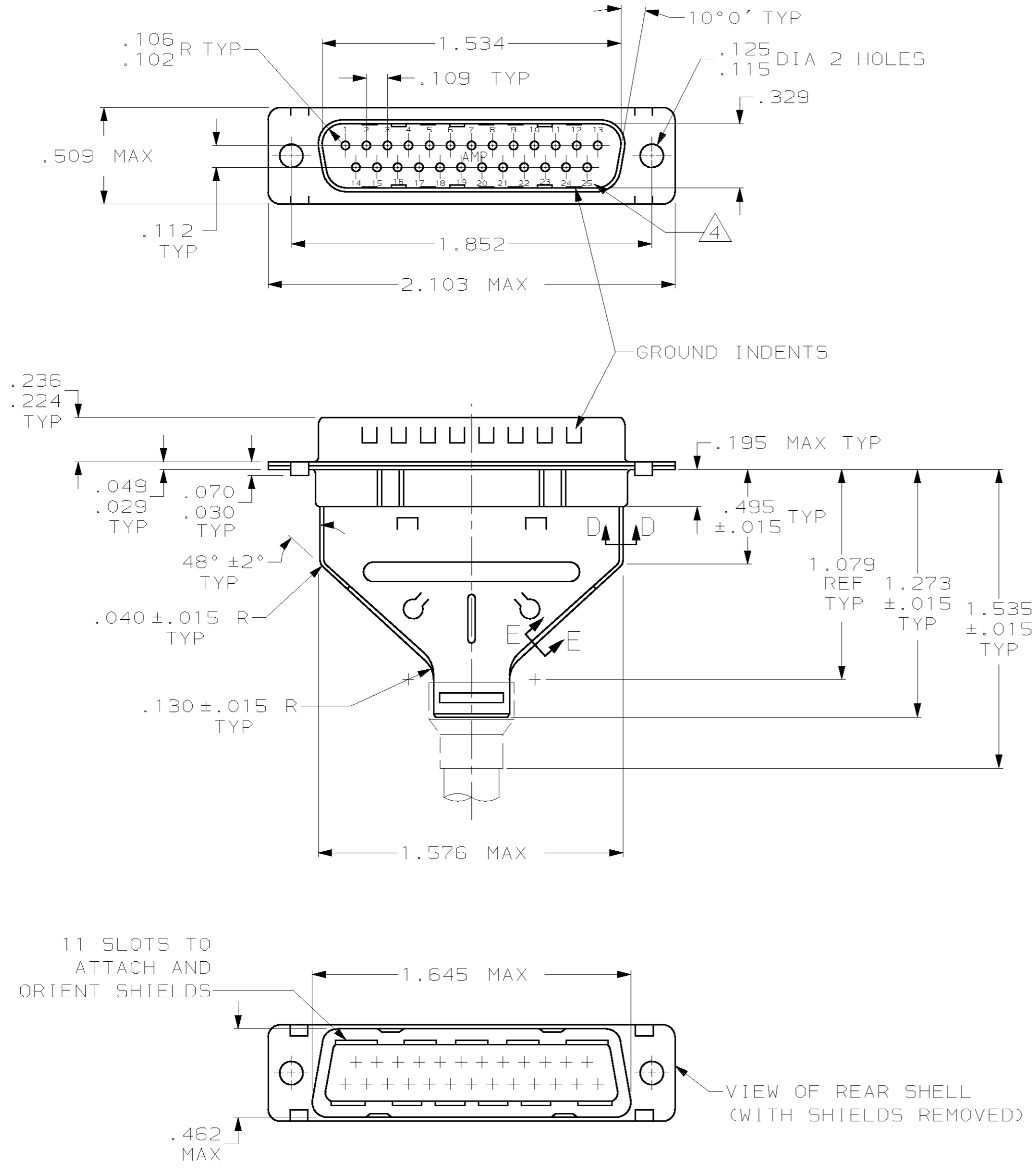
**Packaging Features:**

- Packaging Method = Bulk
- Packaging Quantity = 100

**Other:**

- Brand = AMP
- Comment = Maximum cable diameter after jacket and braid removed.; Components shipped unassembled, each part bulk-packaged.; Plugs accept size 20 DF pin contacts.

LOC	DIST	REVISIONS				
P	LTR	DESCRIPTION	DATE	DWN	APVD	
GP	00	0	RELEASED PER EC 0513-0196-03	30JUL03	JR	JG



- 1 PLUG ACCEPTS SIZE 20 PIN CONTACTS (CONTACTS MUST BE ORDERED SEPARATELY).
- 2. ALL PARTS SHIPPED UNASSEMBLED, EACH PART INDIVIDUALLY BULK PACKED.
- 3 SHIELDS: MATERIAL-.020 THICK STEEL, PER ASTM A109, PLATED .000200 MIN TIN OVER .000100 MIN COPPER UNDERPLATE.
- 4 RAISED CAVITY IDENTIFICATION AND AMP TRADEMARK.

1658648-1  
 PART NUMBER

THIS DRAWING IS A CONTROLLED DOCUMENT.		DWN	J.REITZEL	30JUL03	AMP Incorporated Harrisburg, PA 17105-3608
DIMENSIONS: INCH		CHK	S.BOLASH	30JUL03	
TOLERANCES UNLESS OTHERWISE SPECIFIED:		APVD	M.WALMSLEY	30JUL03	
0 PLC ±- 1 PLC ±- 2 PLC ±- 3 PLC ±.005 4 PLC ±- ANGLES ±0°30'		NAME	KIT, PLUG, SHIELDING HARDWARE, SIZE 3, 25 POSITION, AMPLIMITE™ HDP-20		
MATERIAL SEE CALL OUT & NOTE 3		FINISH	SEE CALL OUT & NOTE 3		RESTRICTED TO
CUSTOMER DRAWING		PRODUCT SPEC	108-40030		SIZE
		APPLICATION SPEC	114-40030		CAGE CODE
		WEIGHT	-		DRAWING NO
		SCALE	2:1		SHEET
			A2 00779		1 OF 1
			C- 1658648		REV
					0