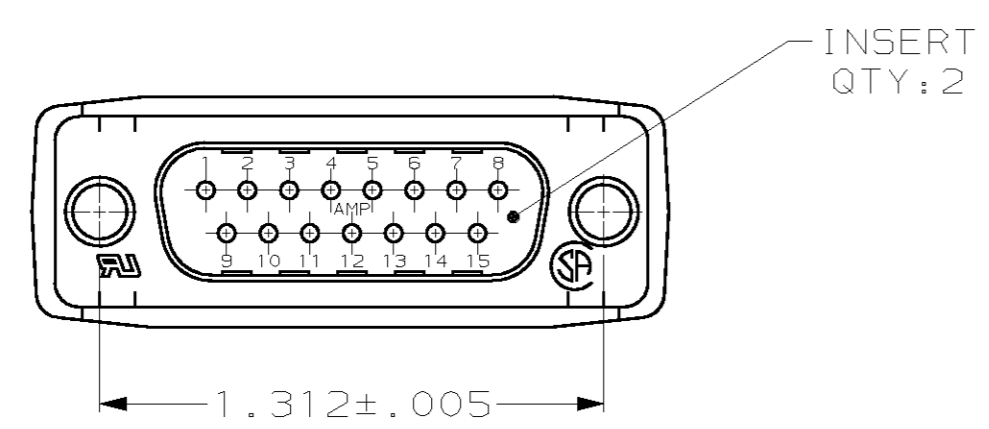
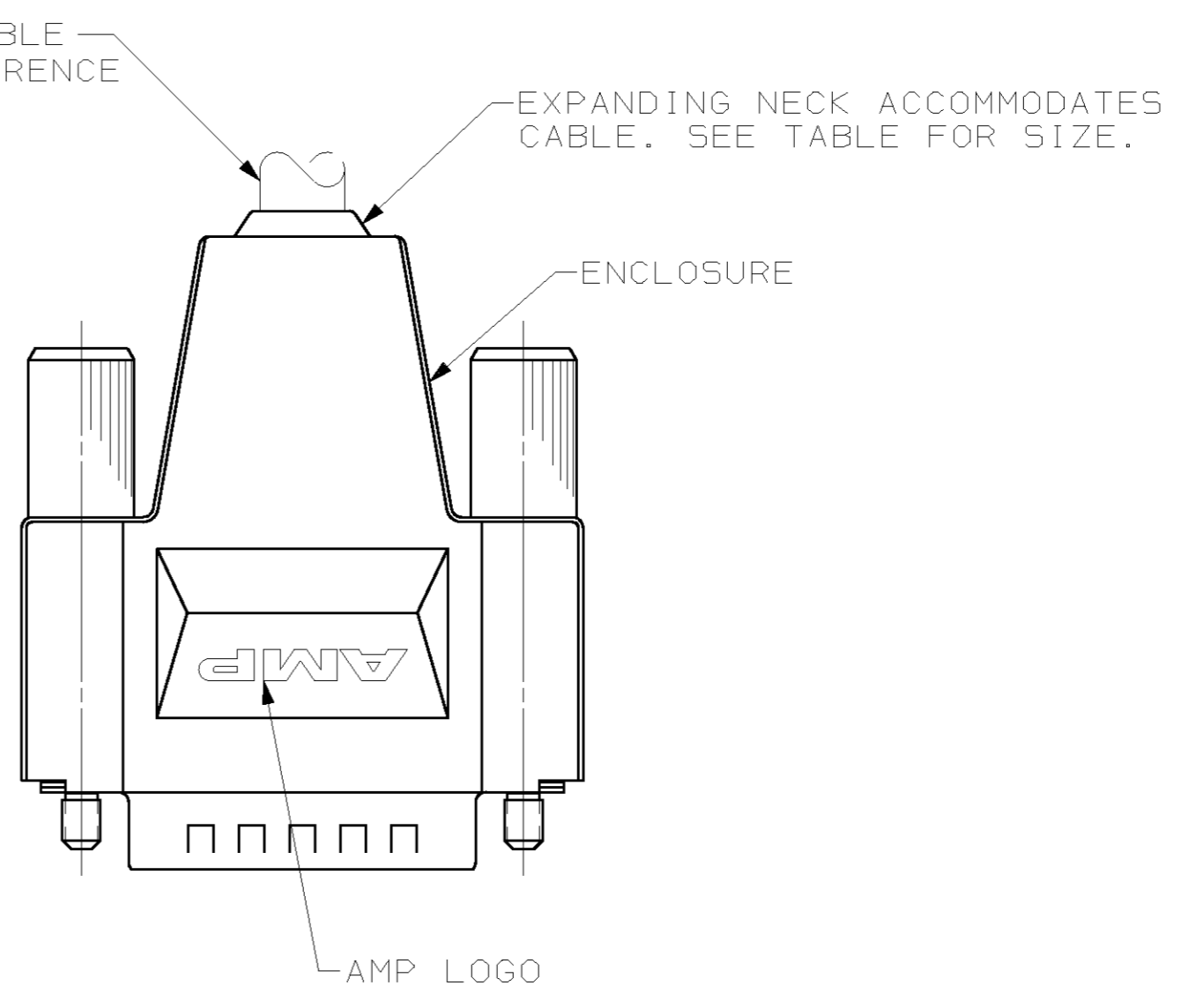
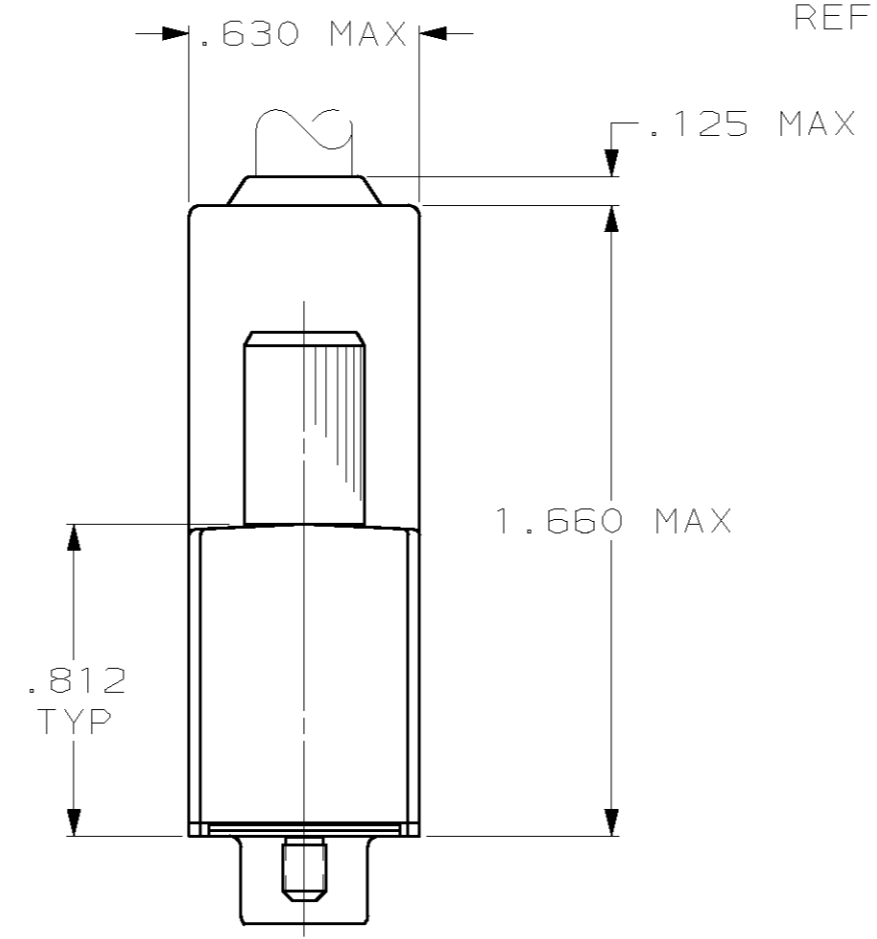
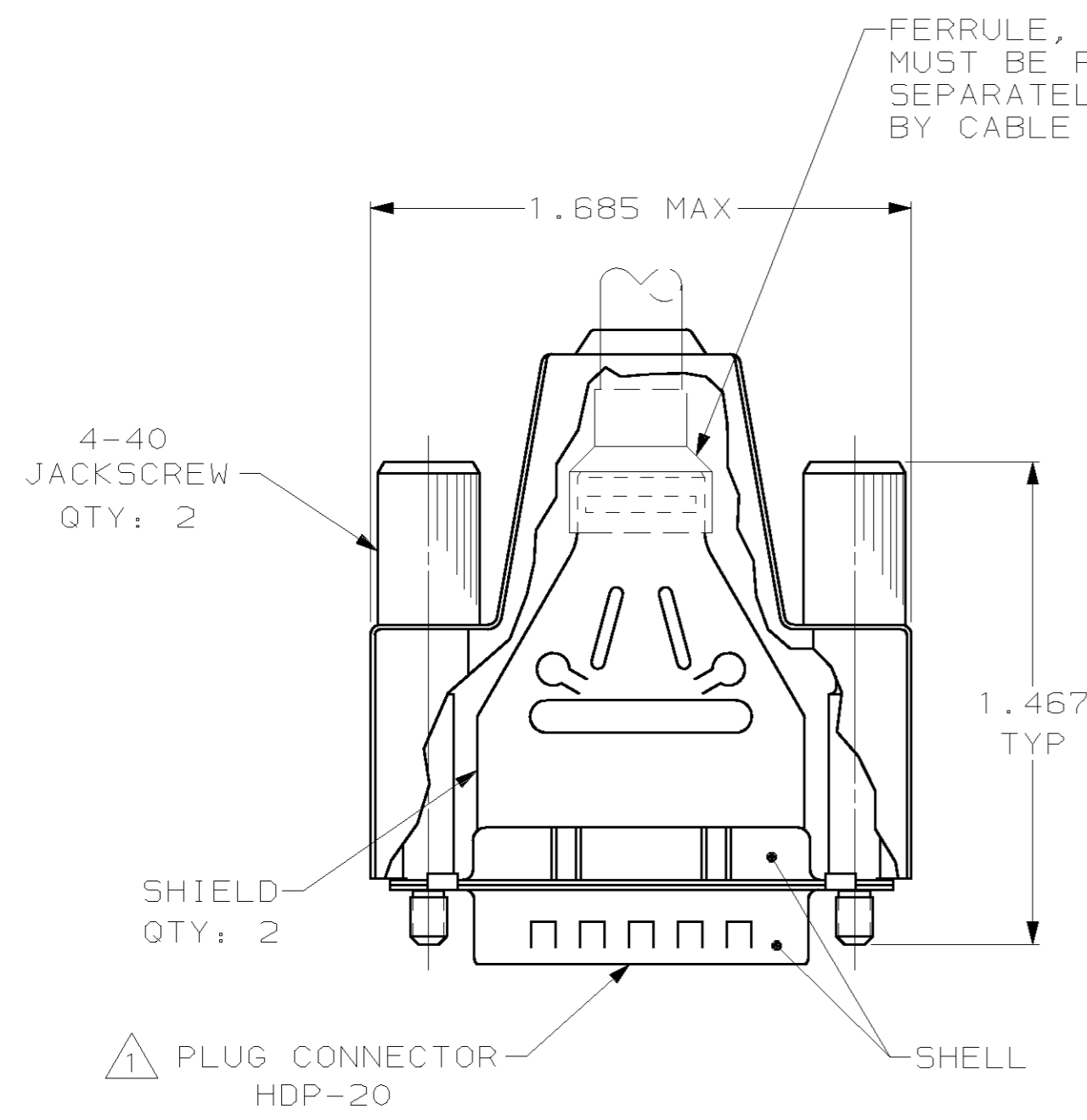


THIS DRAWING IS UNPUBLISHED. RELEASED FOR PUBLICATION
 (C) COPYRIGHT 19 BY AMP INCORPORATED. ALL RIGHTS RESERVED.

LOC	DIST	REVISIONS				
P	LTR	DESCRIPTION	DATE	DWN	APVD	
GP	00	0	RELEASED PER EC 0513-0196-03	31JUL03	JR	JG



- 1 PLUG ACCEPTS SIZE 20 DF PIN CONTACTS. CONTACTS MUST BE PURCHASED SEPARATELY.
- 2. ALL PARTS SHIPPED UNASSEMBLED.
- 3 FLAME RETARDANT 94V-0 RATED, STYRENE POLYOLEFIN OR PVC, COLOR: BLACK.
- 4 FLAME RETARDANT 94V-0 RATED, GLASS FILLED NYLON OR POLYESTER, COLOR: BLACK.
- 5 STEEL PER ASTM A109.
- 6 .000200 MIN TIN PLATE OVER .000100 MIN COPPER UNDERPLATE.
- 7 COMPONENTS INDIVIDUALLY BULK PACKED.
- 8 ZINC ALLOY.
- 9 ZINC PHOSPHATE COATING, BLACK.

.190-.375 DIA	7	9	8	YES	1658657-1
CABLE SIZE	PACKAGING	JACKSCREWS FINISH	JACKSCREWS MATERIAL	WITH LOGO	PART NO

THIS DRAWING IS A CONTROLLED DOCUMENT.		DWN	J. REITZEL	31 JUL 03	AMP Incorporated Harrisburg, PA 17105-3608
DIMENSIONS: INCH		CHK	S. BOLASH	31 JUL 03	
TOLERANCES UNLESS OTHERWISE SPECIFIED:		APVD	M. WALMSLEY	31 JUL 03	
0 PLC ± 1 PLC ± 2 PLC ± 3 PLC ±.020 4 PLC ± ANGLES ±		PRODUCT SPEC	108-40030	NAME	
MATERIAL		FINISH	SHELLS & SHIELDS: 6	WEIGHT	-
ENCLOSURE: 2		JACKSCREWS: SEE TABLE		CUSTOMER DRAWING	RESTRICTED TO
SHELLS & SHIELDS: 3		JACKSCREWS: SEE TABLE		SCALE	2:1
JACKSCREWS: SEE TABLE		JACKSCREWS: SEE TABLE		SHEET	1 OF 1
				REV	0

1658657