

Distributed by:

**JAMECO**<sup>®</sup>  
ELECTRONICS

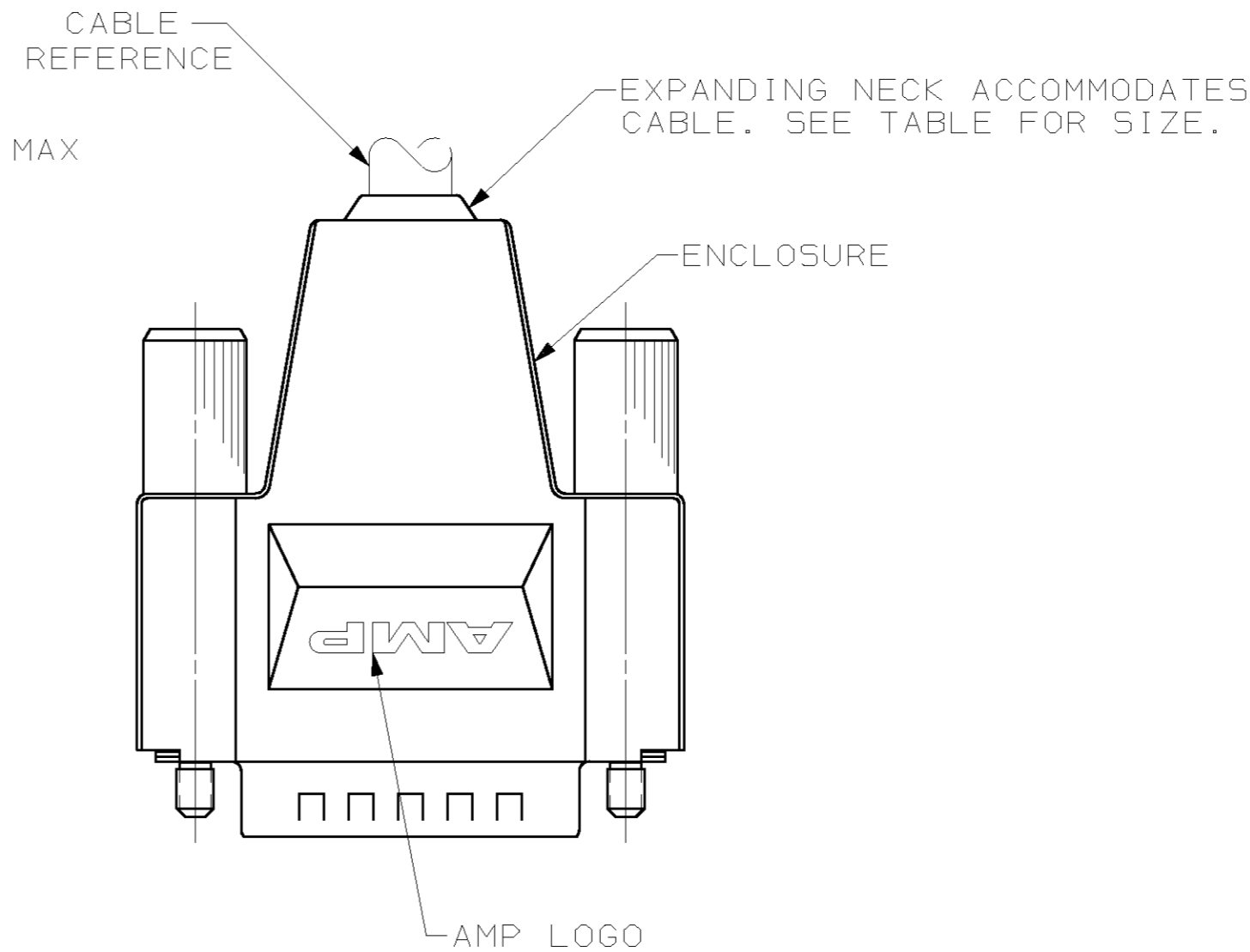
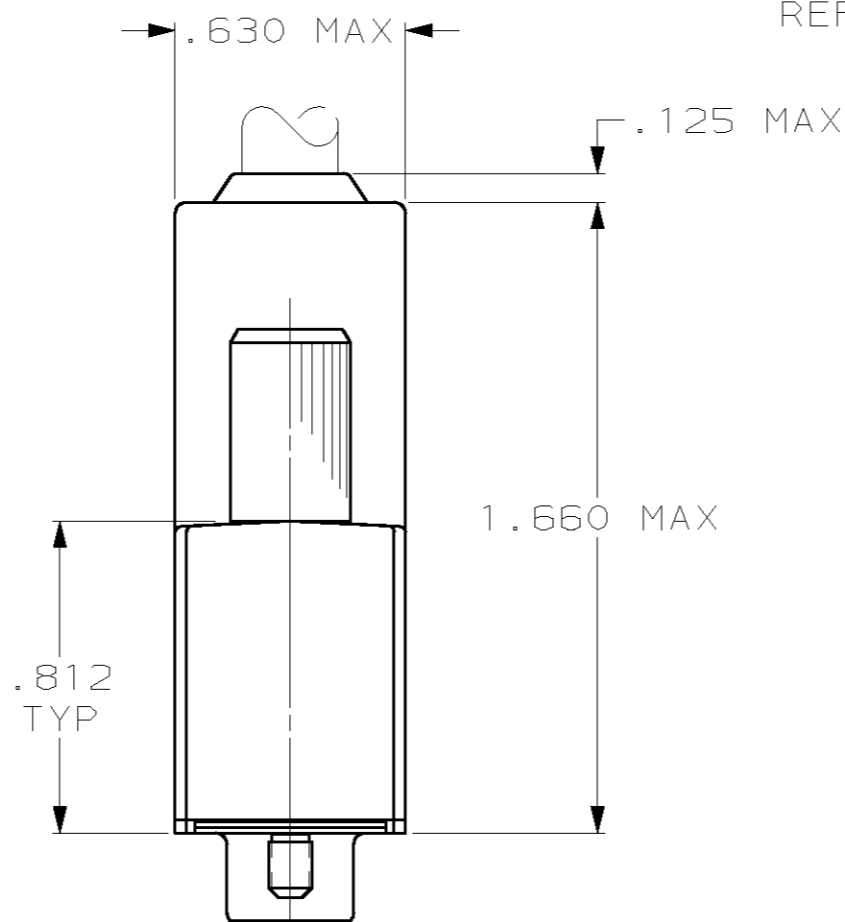
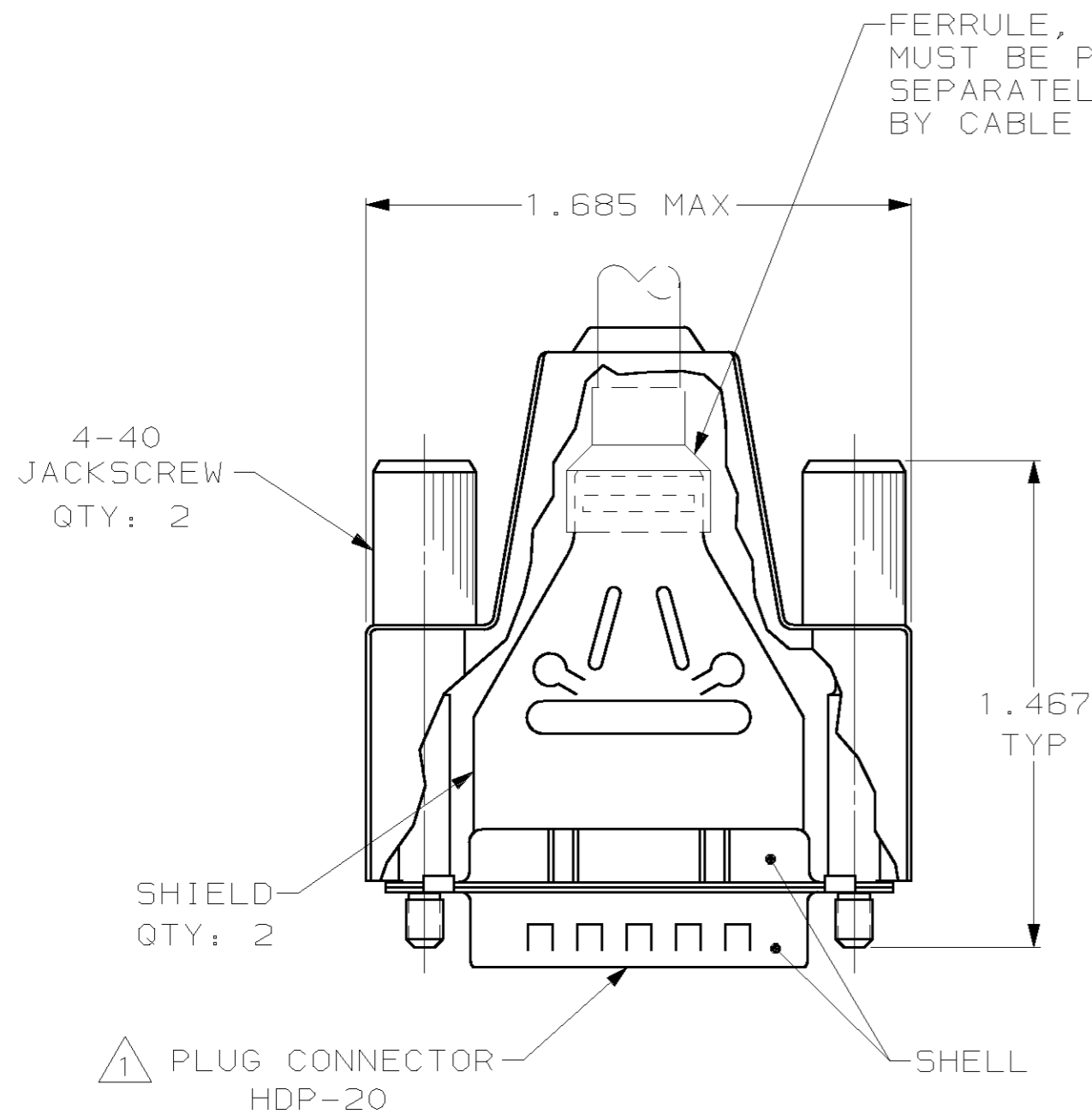
**www.Jameco.com ♦ 1-800-831-4242**

The content and copyrights of the attached  
material are the property of its owner.

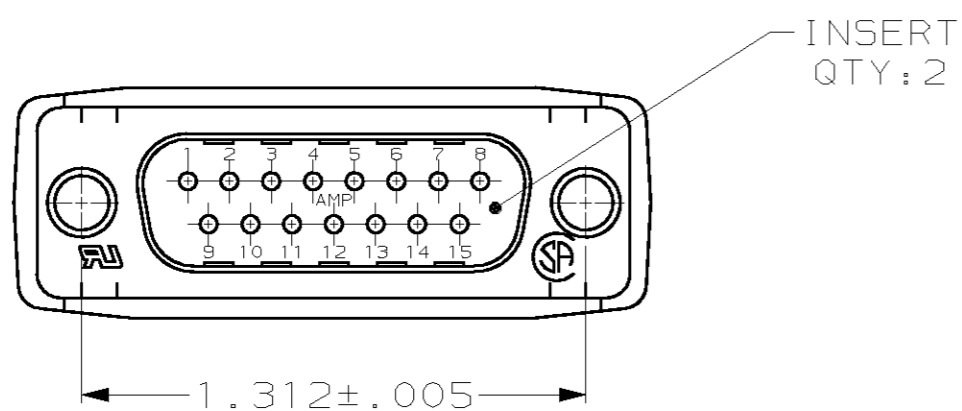
Jameco Part Number 904341

THIS DRAWING IS UNPUBLISHED. RELEASED FOR PUBLICATION  
 (C) COPYRIGHT 19 BY AMP INCORPORATED. ALL RIGHTS RESERVED.

LOC	DIST	REVISIONS				
P	LTR	DESCRIPTION	DATE	DWN	APVD	
GP	00	0	RELEASED PER EC 0513-0196-03	31JUL03	JR	JG



1 PLUG CONNECTOR HDP-20 SHELL



- 1 PLUG ACCEPTS SIZE 20 DF PIN CONTACTS. CONTACTS MUST BE PURCHASED SEPARATELY.
- 2. ALL PARTS SHIPPED UNASSEMBLED.
- 3 FLAME RETARDANT 94V-0 RATED, STYRENE POLYOLEFIN OR PVC, COLOR: BLACK.
- 4 FLAME RETARDANT 94V-0 RATED, GLASS FILLED NYLON OR POLYESTER, COLOR: BLACK.
- 5 STEEL PER ASTM A109.
- 6 .000200 MIN TIN PLATE OVER .000100 MIN COPPER UNDERPLATE.
- 7 COMPONENTS INDIVIDUALLY BULK PACKED.
- 8 ZINC ALLOY.
- 9 ZINC PHOSPHATE COATING, BLACK.

.190-.375 DIA	7	9	8	YES	1658657-1
CABLE SIZE	PACKAGING	JACKSCREWS FINISH	JACKSCREWS MATERIAL	WITH LOGO	PART NO

THIS DRAWING IS A CONTROLLED DOCUMENT.		DWN	J. REITZEL	31 JUL 03	AMP Incorporated Harrisburg, PA 17105-3608			
DIMENSIONS: INCH		CHK	S. BOLASH	31 JUL 03				
TOLERANCES UNLESS OTHERWISE SPECIFIED:		APVD	M. WALMSLEY	31 JUL 03				
0 PLC ± 1 PLC ± 2 PLC ± 3 PLC ±.020 4 PLC ± ANGLES ±		PRODUCT SPEC	108-40030	NAME		KIT, PLUG, SHIELDING ENCLOSURE, SIZE 2, 15 POSN, AMPLIMITE™ HDP-20		
MATERIAL		FINISH	SHELLS & SHIELDS: 6	WEIGHT	SIZE	CAGE CODE	DRAWING NO	RESTRICTED TO
ENCLOSURE: 2		JACKSCREWS: SEE TABLE		-	A2	00779	C- 1658657	-
SHELLS & SHIELDS: 3		JACKSCREWS: SEE TABLE		CUSTOMER DRAWING	SCALE	SHEET	OF	REV
JACKSCREWS: SEE TABLE		JACKSCREWS: SEE TABLE			2:1	1	1	0