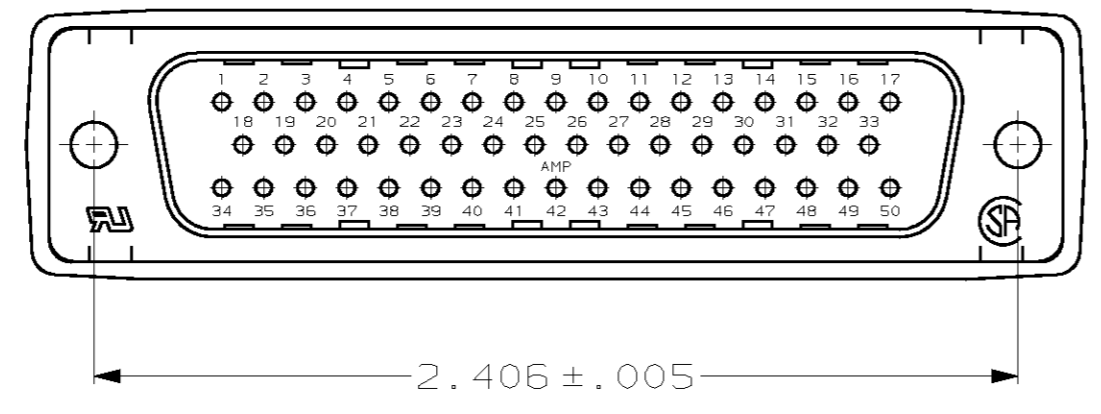
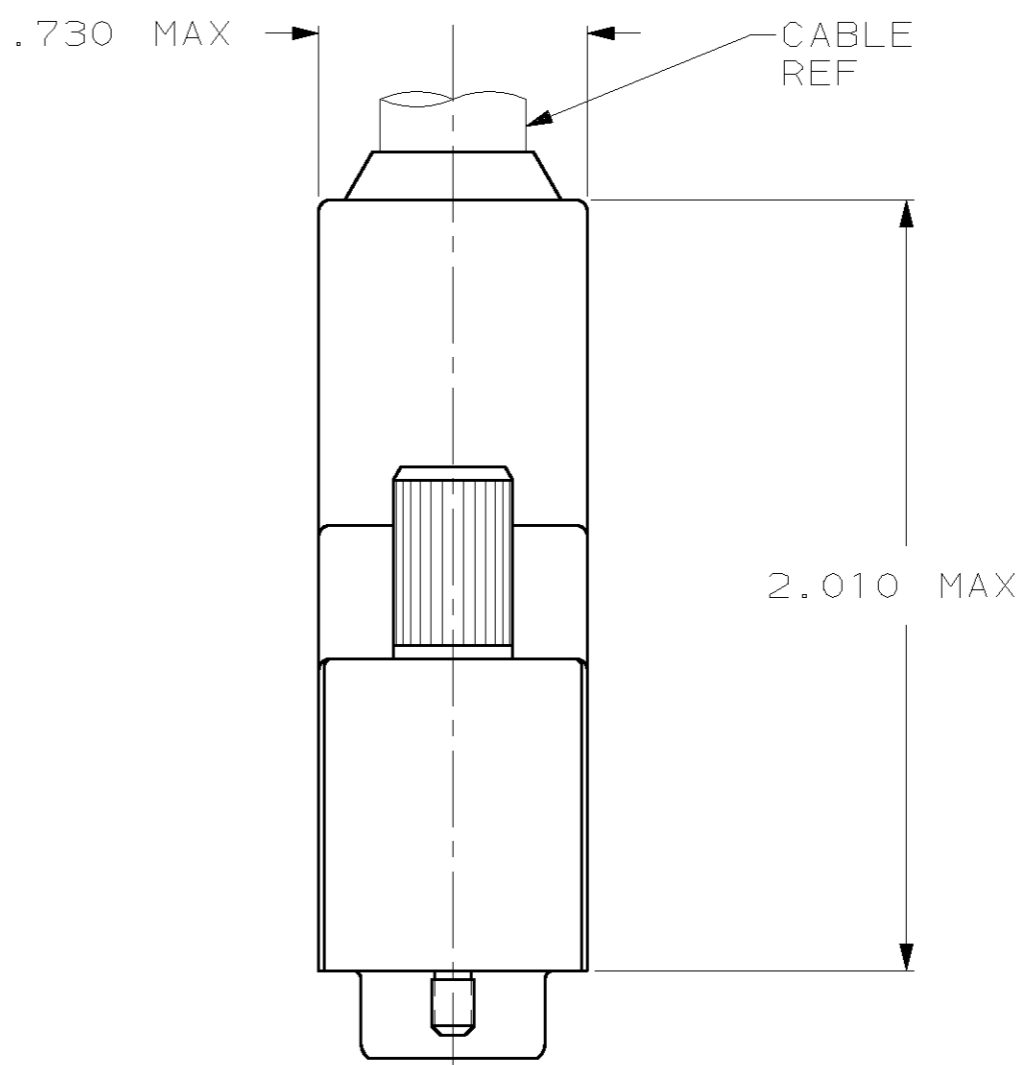
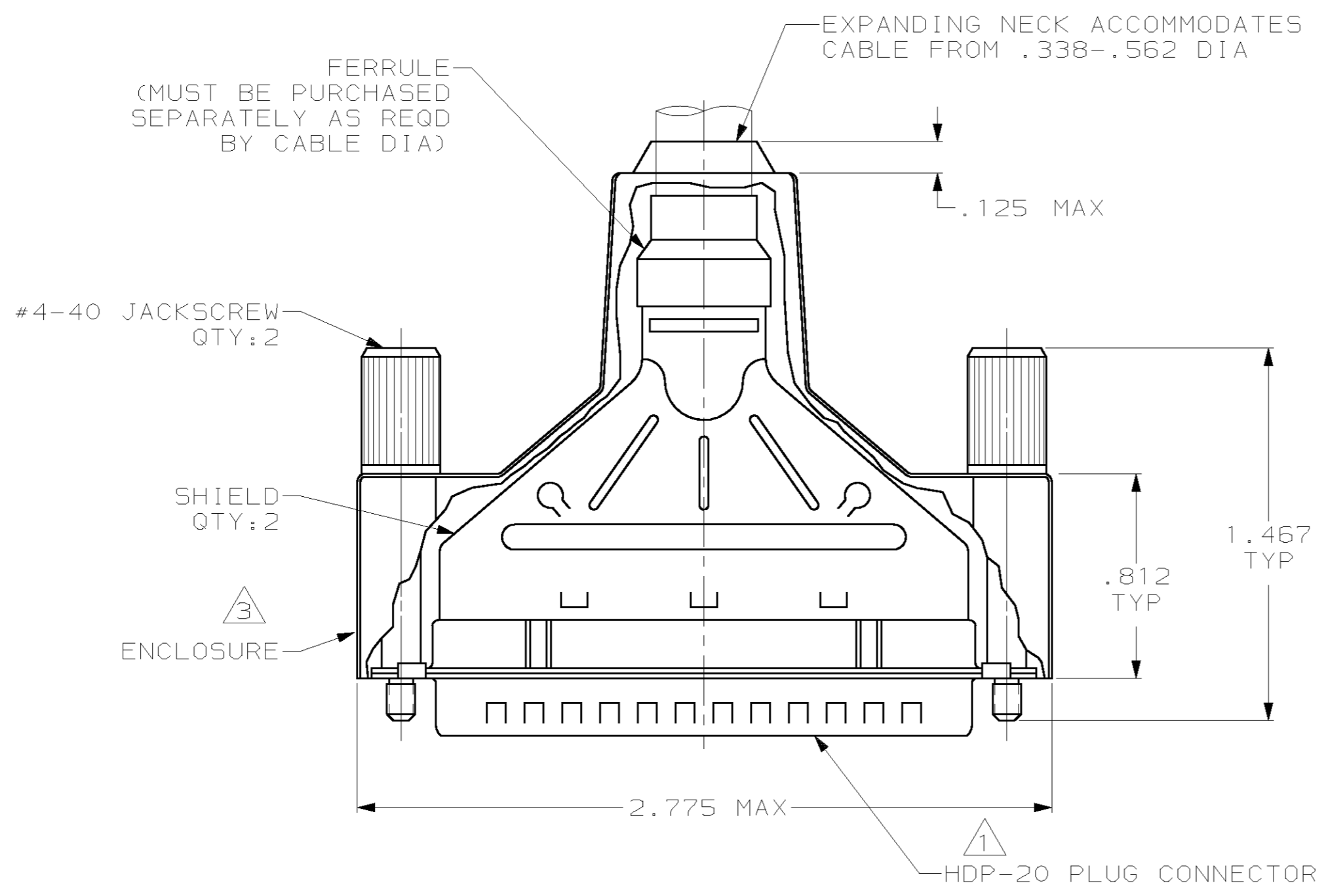


THIS DRAWING IS UNPUBLISHED. RELEASED FOR PUBLICATION  
 (C) COPYRIGHT 19 BY AMP INCORPORATED. ALL RIGHTS RESERVED.

LOC	DIST	REVISIONS			
P	LTR	DESCRIPTION	DATE	DWN	APVD
GP	00	0	RELEASED PER EC 0513-0196-03	31JUL03	JR JG



- ① PLUG ACCEPTS SIZE 20 DF PIN CONTACTS. CONTACTS MUST BE PURCHASED SEPARATELY.
- 2. ALL PARTS SHIPPED UNASSEMBLED.
- ③ FLAME RETARDANT 94V-0 RATED, STYRENE POLYOLEFIN OR PVC, BLACK.
- ④ FLAME RETARDANT 94V-0 RATED GLASS FILLED, NYLON OR POLYESTER, BLACK.
- ⑤ STEEL PER ASTM A109.
- ⑥ .000200 MIN TIN PLATE OVER .000100 MIN COPPER UNDERPLATE.
- ⑦ ZINC PHOSPHATE COATING, BLACK.
- ⑧ COMPONENTS INDIVIDUALLY BULK PACKED.

⑧	W/LOGO	1658661-1
PACKAGING	REMARKS	PART NUMBER

THIS DRAWING IS A CONTROLLED DOCUMENT.		DWN	J.REITZEL	31JUL03	AMP Incorporated Harrisburg, PA 17105-3608
DIMENSIONS:		CHK	S.BOLASH	31JUL03	
INCH		APVD	M.WALMSLEY	31JUL03	
TOLERANCES UNLESS OTHERWISE SPECIFIED: 0 PLC ±- 1 PLC ±- 2 PLC ±- 3 PLC ±.020 4 PLC ±- ANGLES ±-		PRODUCT SPEC	108-40030	NAME	
MATERIAL INSERT: ④		FINISH	SHELLS & SHIELDS: ⑥	APPLIC. SPEC	114-40030
SHELLS & SHIELDS: ④		WEIGHT	-	SIZE	A2
JACKSCREWS: ZINC ALLOY		JACKSCREWS: ⑦		CAGE CODE	00779
		CUSTOMER DRAWING		DRAWING NO	1658661
				RESTRICTED TO	-
				SCALE	2:1
				SHEET	1 OF 1
				REV	0

1658661