

1658662-1 Product Details

[Share](#) [Print](#) [Email](#)




1658662-1

TE Internal Number: 1658662-1

 Active

[View 3D PDF](#)

Standard Cable Connectors

 Always EU RoHS/ELV Compliant
(Statement of Compliance)

Product Highlights:

- Connector
- Product Series = HDP-20 (Crimp Snap)
- 25 Positions
- With Enclosure
- Shielded

[View all Features](#)

Quick Links

- ▶ [Pricing & Availability](#)
- ▶ [Search for Tooling](#)
- ▶ [View Mating Products \(8\)](#)
- ▶ [View Receptacle Kits \(3\)](#)
- ▶ [Product Feature Selector](#)
- ▶ [Contact Us About This Product](#)

[Add to My Part List](#)

[Request Sample](#)

[Find Similar Products](#)

[Buy Product](#)

Documentation & Additional Information

Product Drawings:

- [RECEPTACLE KIT, SIZE 3, 25 POSN, WITH CLINCH NUTS, S...](#) (PDF, English)

Catalog Pages/Data Sheets:

- [AMPLIMITE Subminiature D Connectors - Cable Connectors](#) (PDF, English)

Product Specifications:

- [AMPLIMITE HDP-20 Subminiature D Connector With F Cri...](#) (PDF, English)

Application Specifications:

- [AMPLIMITE HDP-20 and Economy Crimp Snap Subminiature...](#) (PDF, English)

Instruction Sheets:

- [Shielding Hardware Kits w/AMPLIMITE hde-20 hdp-20 an...](#) (PDF, English)
- [Insertion/Extraction Tool 91285-1 and Replacement Ti...](#) (PDF, English)

CAD Files: (CAD Format & Compression Information)

- [2D Drawing](#) (DXF, Version A)
- [3D Model](#) (IGES, Version A)
- [3D Model](#) (STEP, Version A)

[List all Documents](#)

Additional Information:

- [Product Line Information](#)

Related Products:

- [Tooling](#)
- [Mating Products \(8\)](#)
- [Receptacle Kits \(3\)](#)

Product Features (Please use the Product Drawing for all design activity)

Product Type Features:

- [Product Type](#) = Connector
- [Product Series](#) = HDP-20 (Crimp Snap)
- [Mating Connector Lock](#) = With
- [Mating Connector Lock Type](#) = Clinch Nut, 4-40 UNC
- [Shell Size](#) = 3
- [Shell Type](#) = Full Metal Shell
- [Grounding Indents](#) = Without
- [Grade](#) = Standard
- [Color](#) = Black

Dimensions:

Housing Features:

- [Enclosure](#) = With
- [Connector Style](#) = Receptacle
- [Housing Material](#) = Nylon
- [UL Flammability Rating](#) = UL 94V-0
- [Housing Color](#) = Black

Configuration Features:

- [Number of Positions](#) = 25
- [Shielded](#) = Yes
- [Preloaded](#) = No
- [Pre-Assembled](#) = No

- [Cable Insulation Diameter \(mm \[in\]\)](#) = 4.19 – 11.56 [0.165 – 0.455]
- [Cable Diameter \(Max.\) \(mm \[in\]\)](#) = 8.89 [0.350]

Body Features:

- Shell Material = Steel
- Shell Plating = Tin over Copper
- Shield Material = Steel
- Shield Plating = Tin
- Insert Material = Thermoplastic

Contact Features:

- [Contact Size](#) = 20

Industry Standards:

- [RoHS/ELV Compliance](#) = RoHS compliant, ELV compliant
- [Lead Free Solder Processes](#) = Not relevant for lead free process
- [RoHS/ELV Compliance History](#) = Always was RoHS compliant
- [Insert Flammability Rating](#) = UL 94V-0

Packaging Features:

- [Packaging Method](#) = Loose Piece/Bulk
- [Packaging Quantity](#) = 100

Other:

- [Brand](#) = AMP
- [Comment](#) = Components shipped unassembled, each part bulk-packaged.; Receptacles accept size 20 DF socket contacts.; Maximum cable diameter after jacket and braid removed.

Corporate Information

- [About TE](#)
- [Investors](#)
- [News Room](#)
- [Supplier Portal](#)
- [Careers](#)
- [Terms & Conditions](#)
- [Privacy Policy](#)

Quick Links

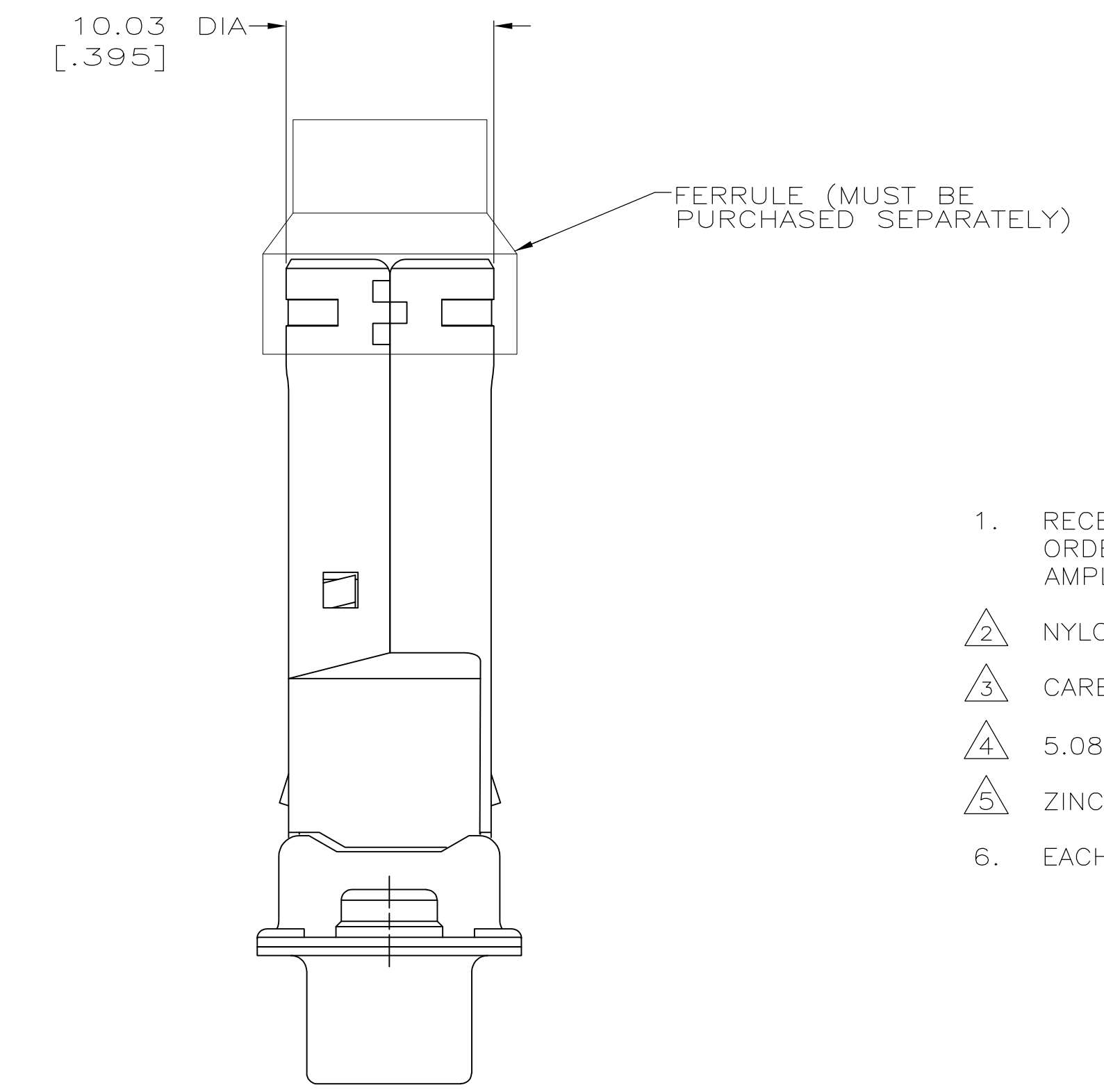
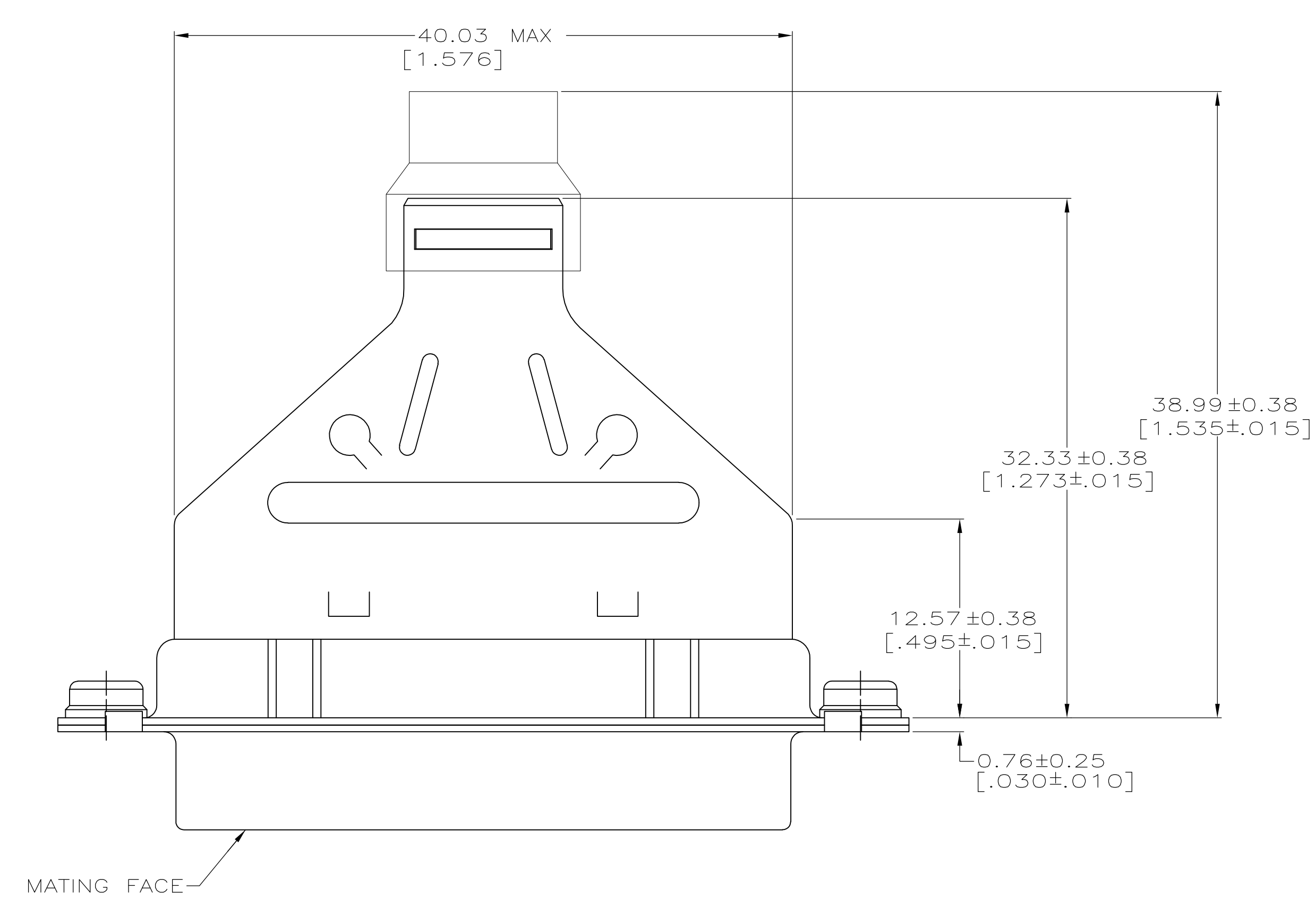
- [Distributor Inventory](#)
- [Product Cross Reference](#)
- [Documents & Drawings](#)
- [Product Compliance Support Center](#)
- [Site Map](#)

Customer Support

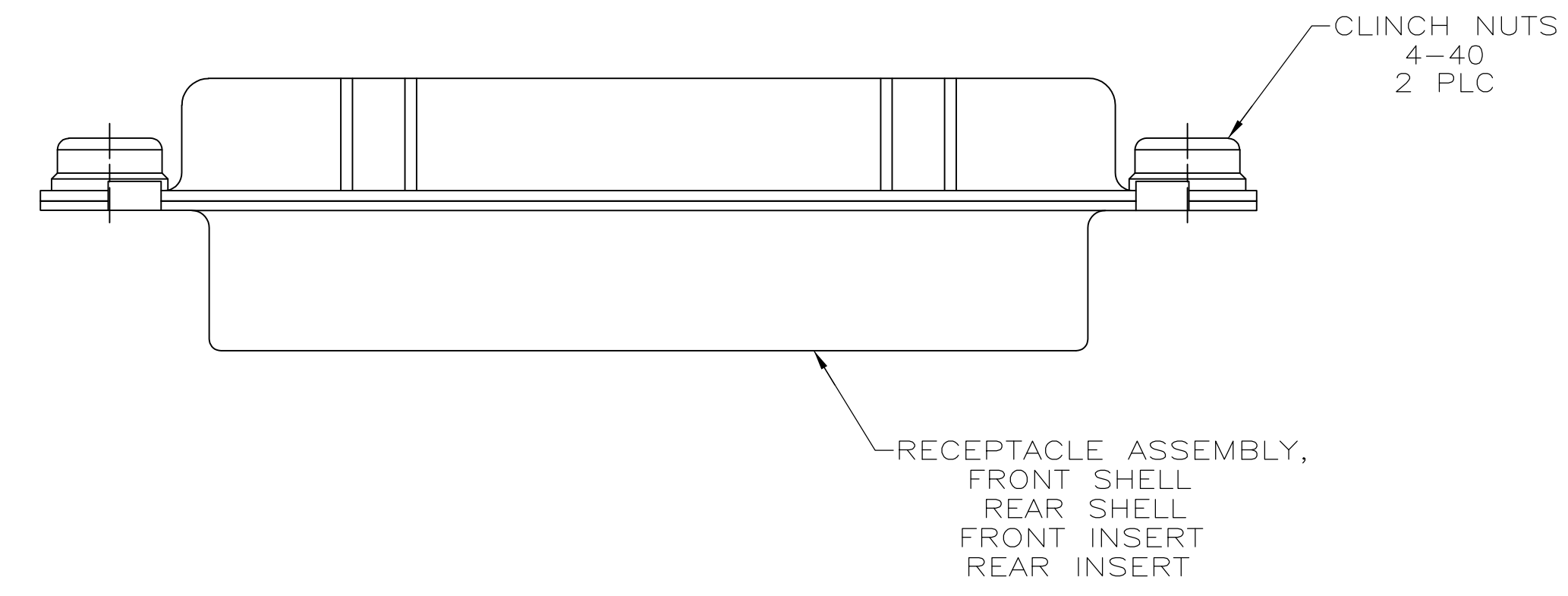
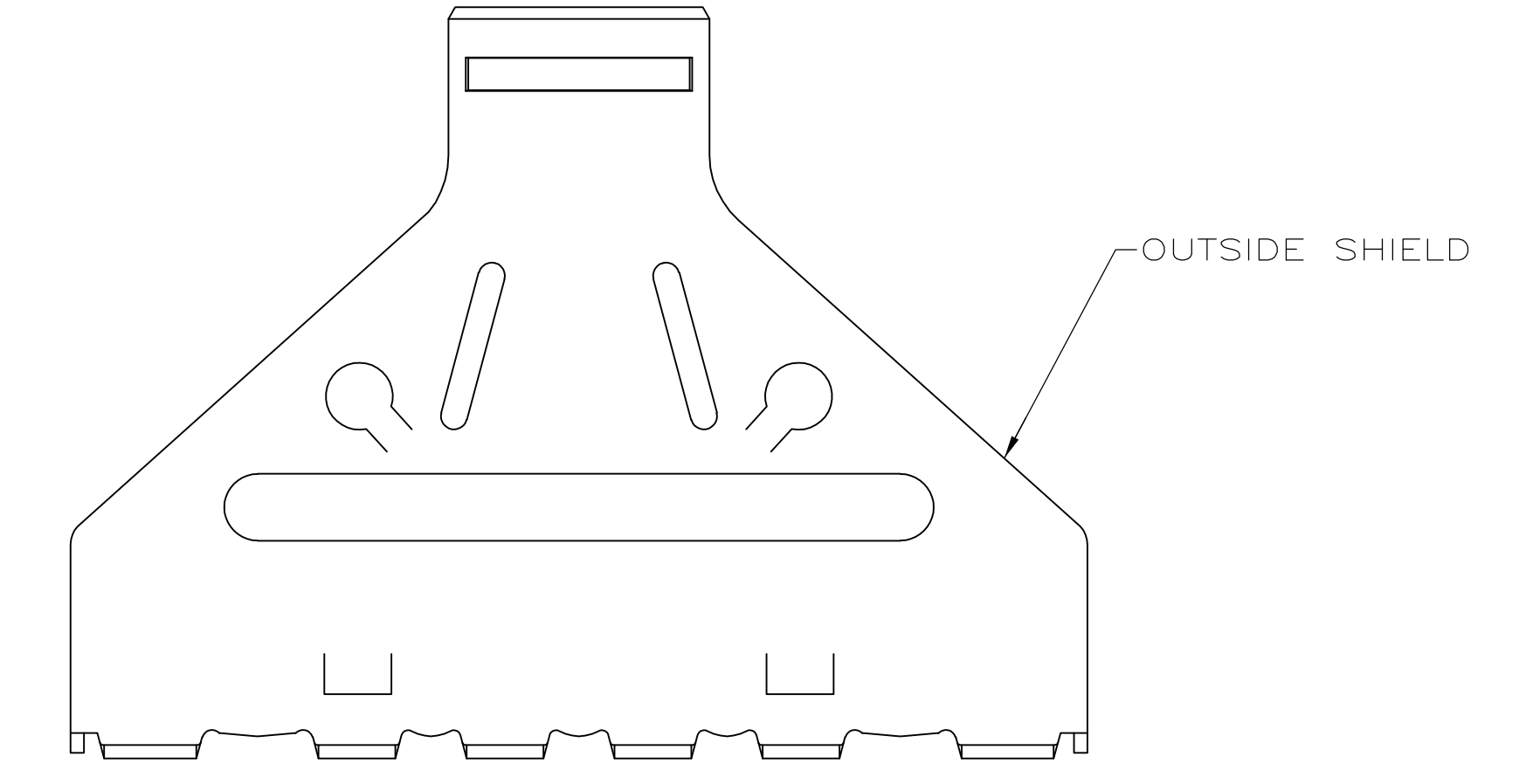
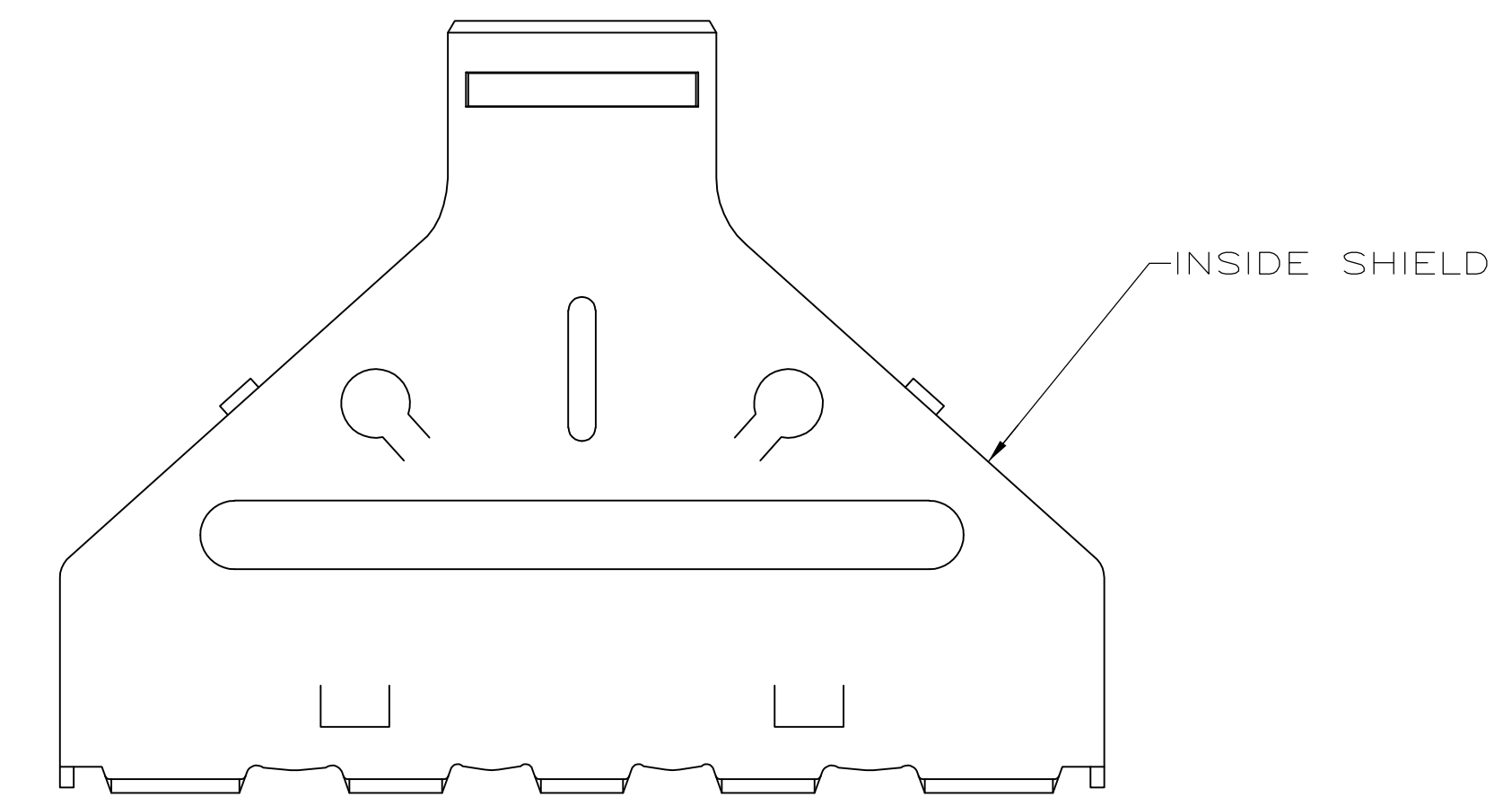
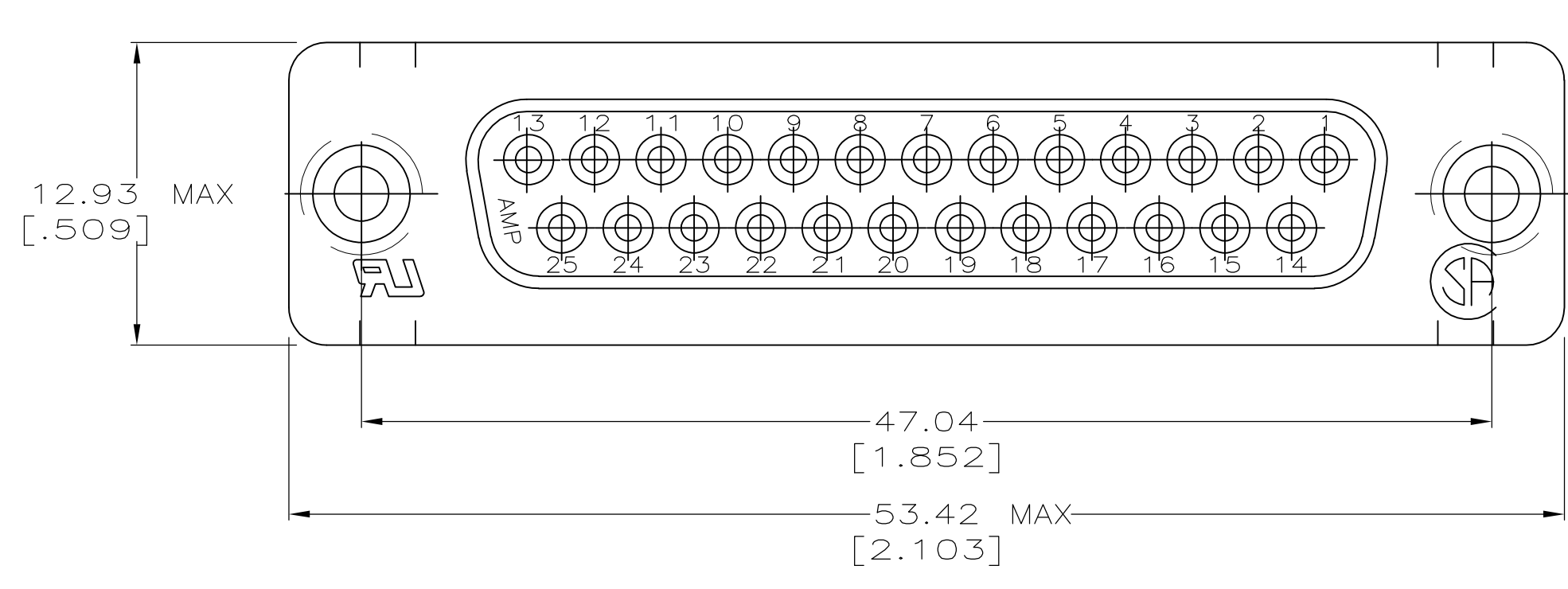
- [Email or Chat With Us](#)
- [Find a Phone Number](#)
- [Knowledge Base](#)
- [Manage Your Account](#)

Keep Me Informed





- RECEPTACLE ACCEPTS SIZE 20 SOCKET CONTACTS, CONTACTS MUST BE ORDERED SEPARATELY. ASSEMBLY MATES WITH ANY 25 POSN PLUG IN AMPLIMITE® SERIES.
- NYLON, FLAME RETARDANT, UL 94V-0 RATED, GLASS FILLED, BLACK.
- CARBON STEEL PER ASTM A 109.
- 5.08µm [.000200] MIN TIN OVER 2.54µm [.000100] MIN COPPER.
- ZINC PLATED.
- EACH PART INDIVIDUALLY BULK PACKED.



1658662-1
 PART NUMBER

THIS DRAWING IS A CONTROLLED DOCUMENT.		DWN: J. REITZEL 31JUL03	Tyco Electronics Corporation Harrisburg, PA 17105-3608
DIMENSIONS: mm [INCHES]		CHK: S. BOLASH 31JUL03	
TOLERANCES UNLESS OTHERWISE SPECIFIED:		APRD: M. WALMSLEY 31JUL03	RECEPTACLE KIT, SIZE 3, 25 POSN, WITH CLINCH NUTS, SHIELDING HARDWARE, AMPLIMITE™ HDP-20
0 PLC ± -		PRODUCT SPEC	
1 PLC ± -		108-40030	
2 PLC ± 0.15(.005)		APPLICATION SPEC	
3 PLC ± -		114-40030	SIZE: CAGE CODE DRAWING NO
4 PLC ± -		RESTRICTED TO	A1 00779 ©=1658662
ANGLES ± °		WEIGHT	CUSTOMER DRAWING
FINISH		SCALE	2:1
MATERIAL: INSERTS: △ SHELLS & SHIELDS: △ CLINCH NUTS: △		SHEET 1 OF 1 REV A	