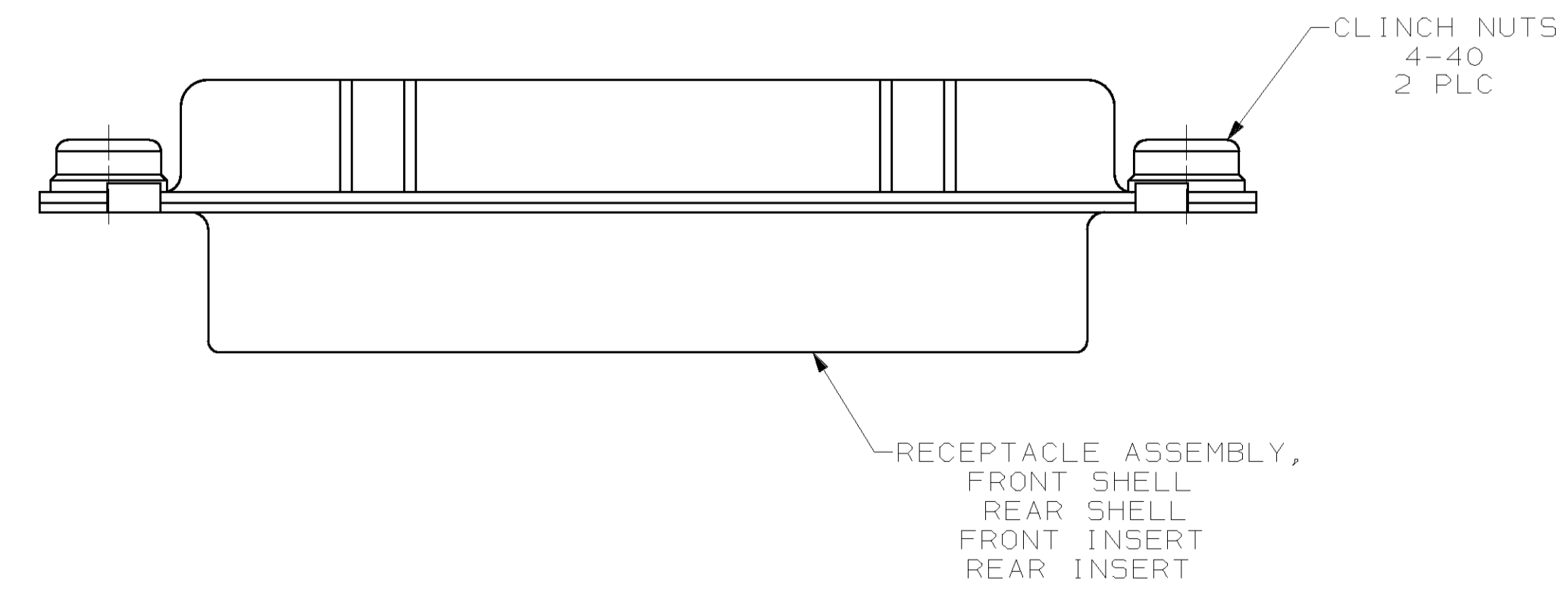
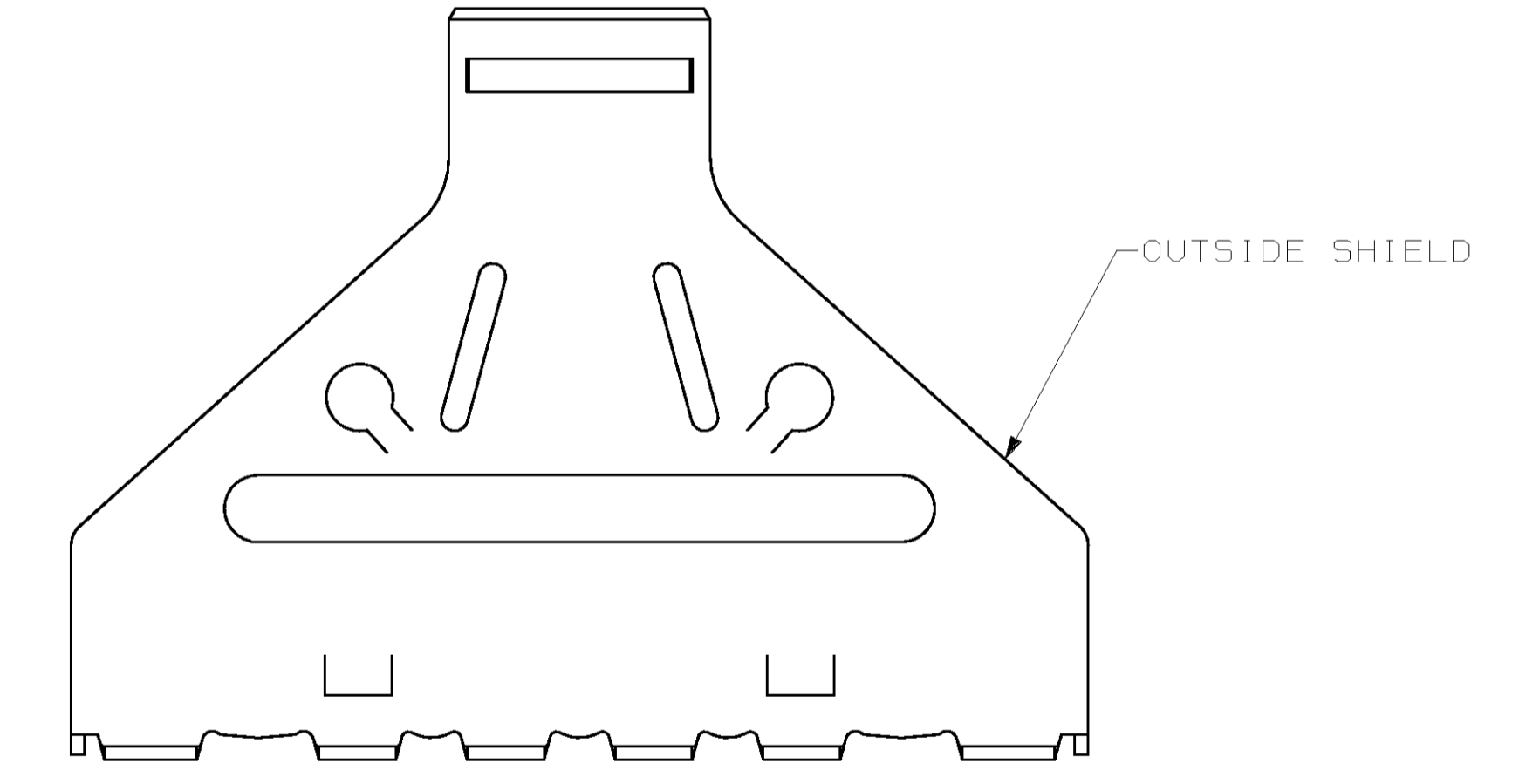
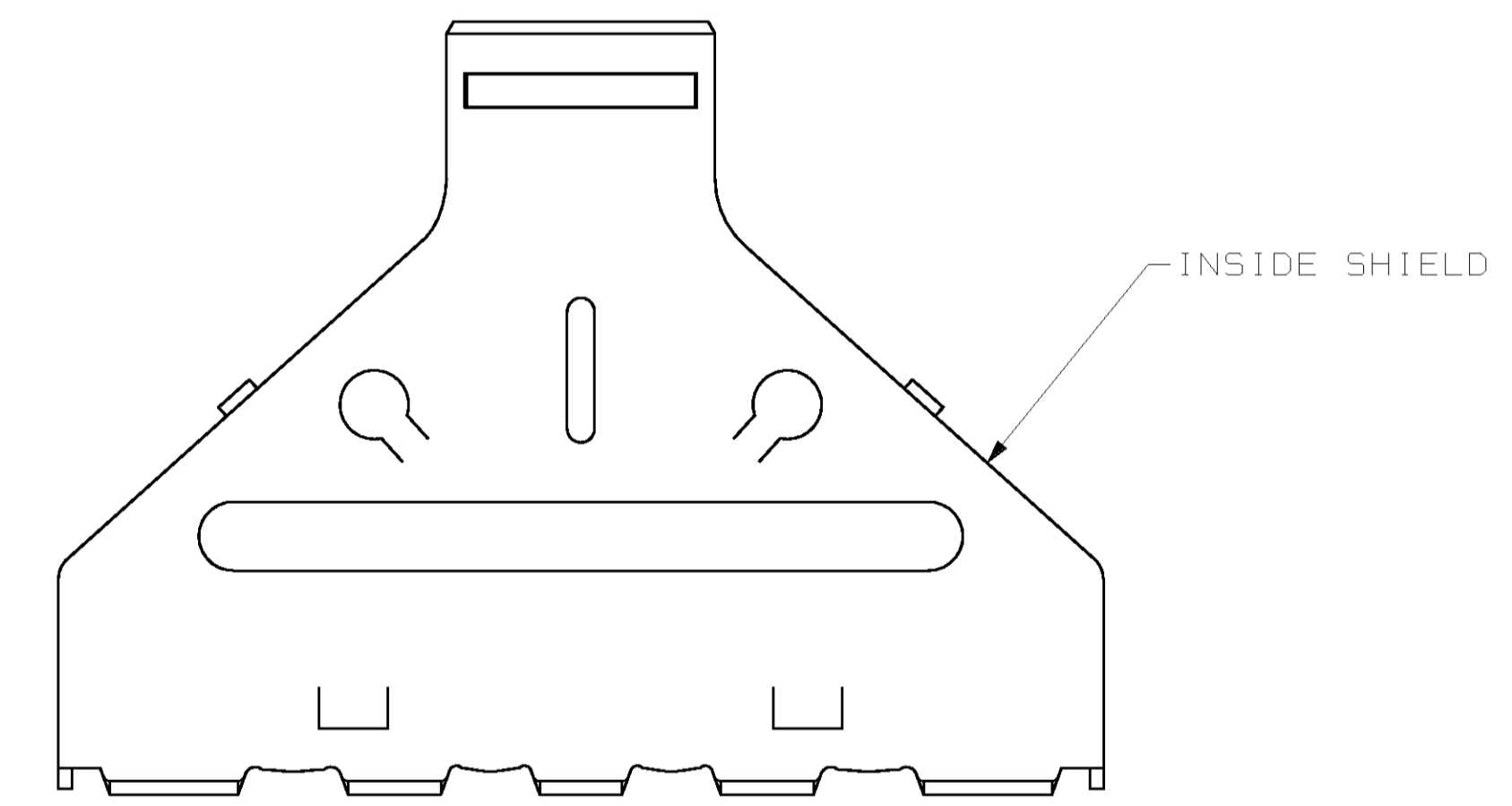
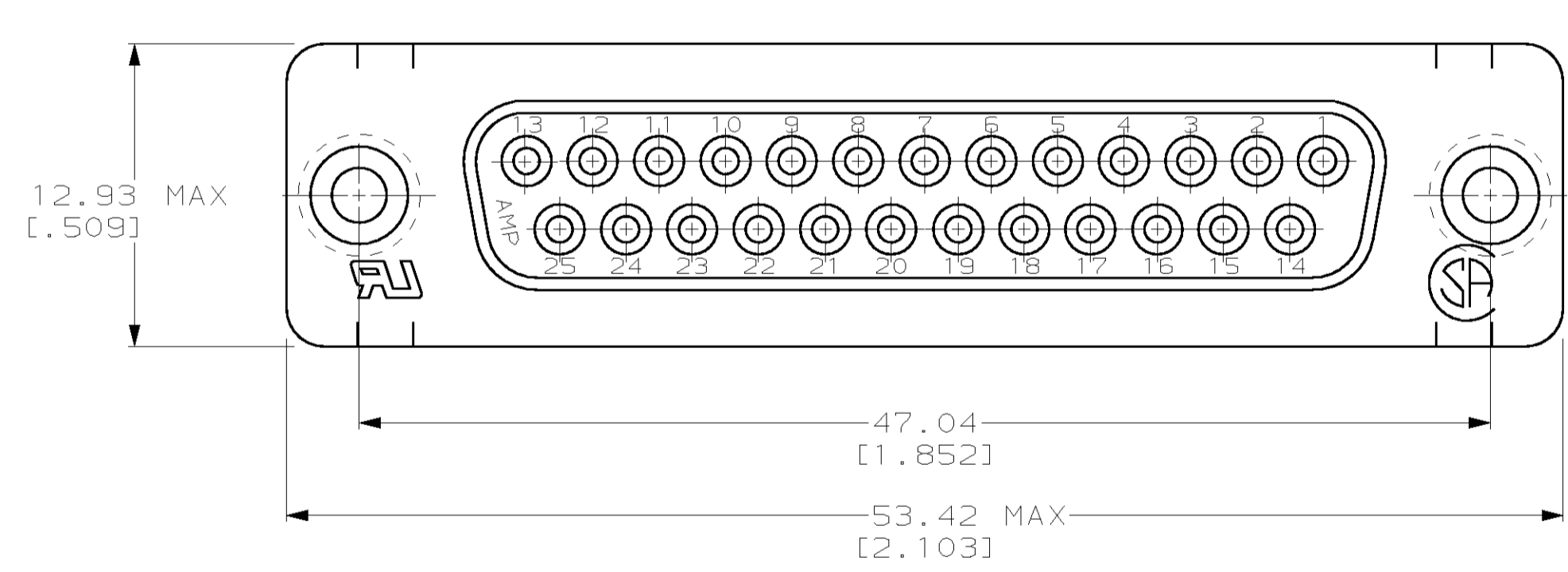


- RECEPTACLE ACCEPTS SIZE 20 PIN CONTACTS, CONTACTS MUST BE ORDERED SEPARATELY. ASSEMBLY MATES WITH ANY 25 POSN PLUG IN AMPLIMITE® SERIES.
- NYLON, FLAME RETARDANT, UL 94V-0 RATED, GLASS FILLED, BLACK.
- CARBON STEEL PER ASTM A 109.
- 5.08µm [.000200] MIN TIN OVER 2.54µm [.000100] MIN COPPER.
- ZINC PLATED.
- EACH PART INDIVIDUALLY BULK PACKED.



1658662-1  
PART NO

|  |                     |  |   |  |
|--|---------------------|--|---|--|
| THIS DRAWING IS A CONTROLLED DOCUMENT. |                     | DWN<br>J. REITZEL<br>31JUL03   | AMP Incorporated<br>Harrisburg, PA 17105-3608 |  |
| DIMENSIONS:<br>mm [INCHES]             |                     | CHK<br>S. BOJASH<br>31JUL03  | AMP<br>M. WALMSLEY<br>31JUL03                 |  |
| TOLERANCES UNLESS OTHERWISE SPECIFIED: |                     | NAME<br>RECEPTACLE KIT, SIZE 3, 25 POSN,<br>WITH CLINCH NUTS, SHIELDING HARDWARE,<br>AMPLIMITE™ HDP-20 |   |  |
| 0 PLC ±.01                             |                     | PRODUCT SPEC<br>108-40030  |   |  |
| 1 PLC ±.02                             |                     | APPLICATION SPEC<br>114-40030  |   |  |
| 2 PLC ±0.13 [.005]                     |                     | SIZE<br>A1   |   |  |
| 3 PLC ±.05                             |                     | CAGE CODE<br>00779   |   |  |
| 4 PLC ±.02                             |                     | DRAWING NO<br>1658662  |   |  |
| ANGLES<br>±.2°                         |                     | RESTRICTED TO<br>CUSTOMER DRAWING  |   |  |
| MATERIAL<br>INSERTS: Δ                 | FINISH              | WEIGHT   | SCALE<br>2:1                                  |  |
| SHELLS & SHIELDS: Δ                    | SHELLS & SHIELDS: Δ | —  | SHEET<br>1 OF 1                               |  |
| CLINCH NUTS: Δ                         | CLINCH NUTS: Δ      | —  | REV<br>0                                      |  |