

Distributed by:

JAMECO[®]
ELECTRONICS

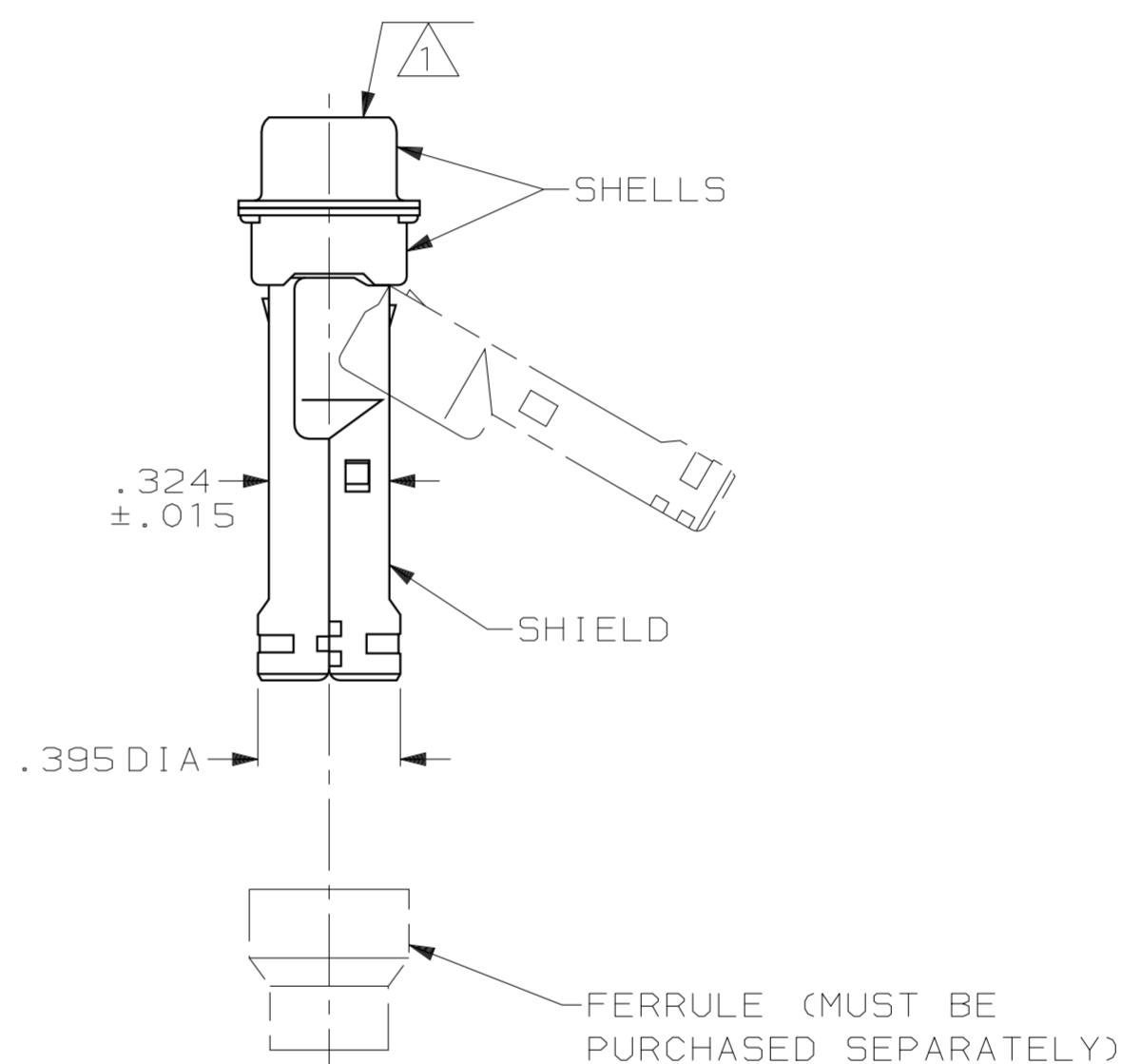
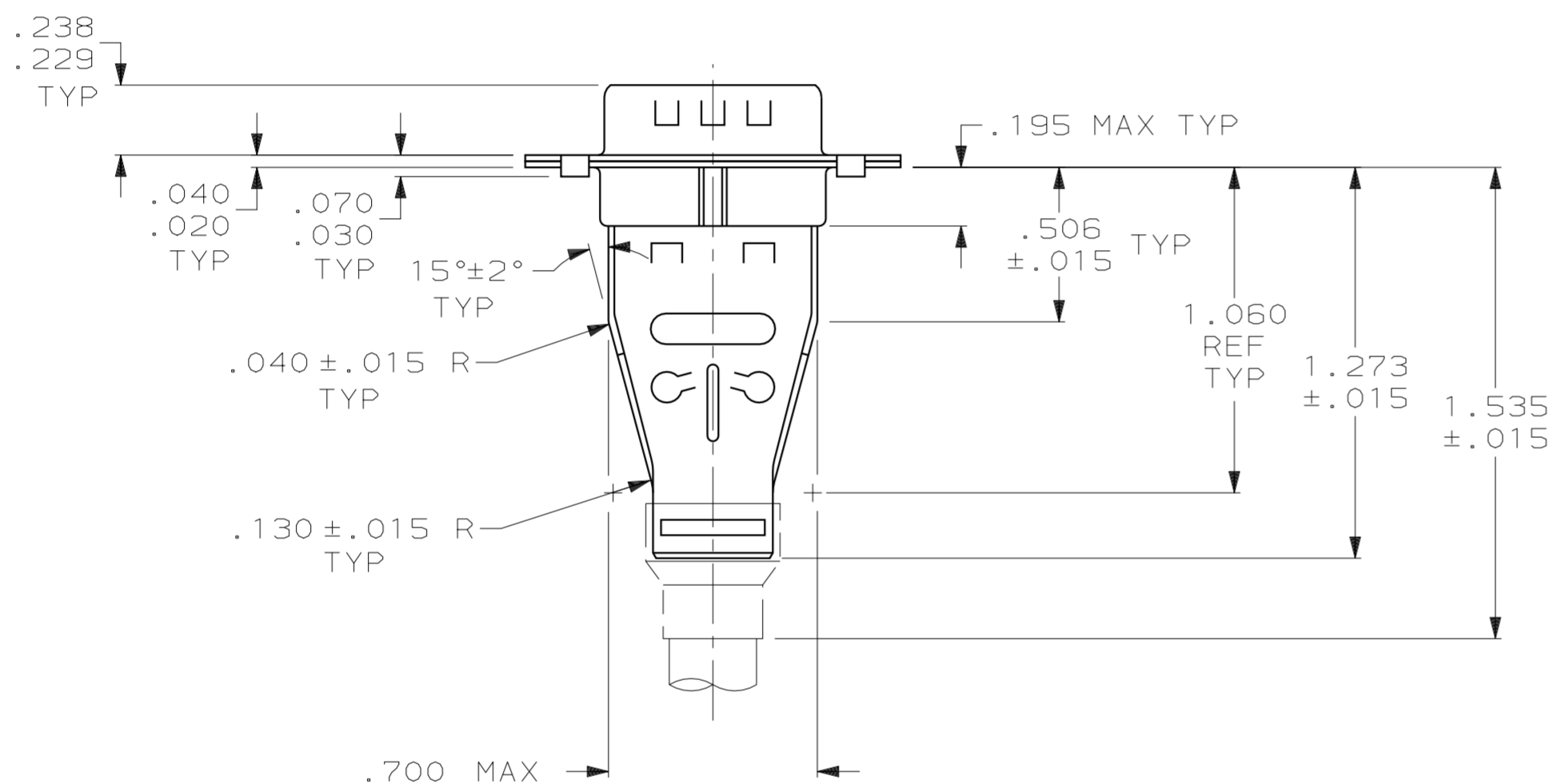
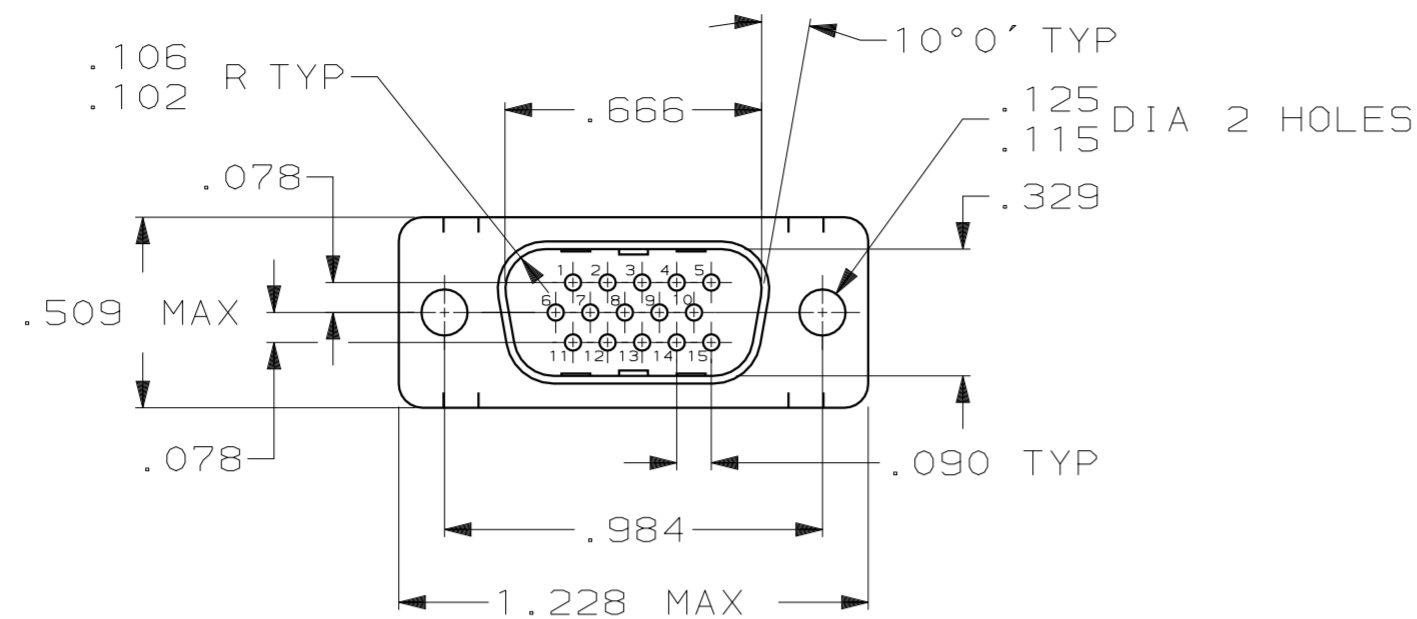
www.Jameco.com ♦ 1-800-831-4242

The content and copyrights of the attached
material are the property of its owner.

Jameco Part Number 837919

THIS DRAWING IS UNPUBLISHED. RELEASED FOR PUBLICATION
 © COPYRIGHT 19 BY AMP INCORPORATED. ALL INTERNATIONAL RIGHTS RESERVED.

MOD	LOC	DIST	P	F	ZONE	LTR	DESCRIPTION	DATE	APPD
2	BD	39				A	REDRAWN AND REV ECN BD5049	7-2-91	-



748468

748468-1
PART NUMBER

- 1 PLUG ACCEPTS SIZE 22 PIN CONTACTS (CONTACTS MUST BE ORDERED SEPARATELY).
- 2. ALL PARTS SHIPPED UNASSEMBLED, EACH PART INDIVIDUALLY BULK PACKED.
- 3 FLAME RETARDANT 94V-0 RATED GLASS FILLED, NYLON OR POLYESTER, BLACK.

DO NOT SCALE PRINT. UNLESS SPECIFIED DIMENSIONS IN INCHES TOLERANCES ON: 2 PLC DEC ± - 3 PLC DEC ± .005 ANGLES ± 0°30'	DR 7-2-91 R. SHIREY	AMP INCORPORATED Harrisburg, Pa. 17105		
	CHK -			
MATERIAL INSERT: 3 SHELLS & SHIELDS: CS PER ASTM A109	APPD -	KIT, PLUG, SHIELDING HARDWARE, SIZE 1, 15 POSN, HDP-22, AMPLIMITE™		
FINISH SHELLS & SHIELDS: TIN PLATED PER MIL-T-10727	APPD -			
	PRODUCT SPEC	SIZE	FSCM NO	DRAWING NO
	APPLICATION SPEC	C	00779	748468
	WEIGHT -	SCALE	2:1	SHEET 1 OF 1