



Have a Question?
 Chat with a Product
 Information Specialist

What can we help you find?

[Products](#) |
 [Industries](#) |
 [Resources](#) |
 [About TE](#) |
 [My Account](#) |
 [Innovation](#) |
 [Support Center](#)

1658676-1 Product Details

[Share](#) |
 [Print](#) |
 [Email](#)



1658676-1

TE Internal Number: 1658676-1

Active

[View 3D PDF](#)

Standard Cable Connectors

Always EU RoHS/ELV Compliant (Statement of Compliance)

Product Highlights:

- Connector
- Product Series = HDP-22 (Crimp Snap)
- 26 Positions
- With Enclosure
- Shielded

[View all Features](#)

Quick Links

- ▶ [Pricing & Availability](#)
- ▶ [Search for Tooling](#)
- ▶ [View Mating Products \(4\)](#)
- ▶ [View Plug Kits \(2\)](#)
- ▶ [Product Feature Selector](#)
- ▶ [Contact Us About This Product](#)

[Add to My Part List](#) |
 [Request Sample](#) |
 [Find Similar Products](#) |
 [Buy Product](#)

Documentation & Additional Information

Product Drawings:

- [KIT, PLUG, SHIELDING HARDWARE, SIZE 2, 26 POSN, HDP-...](#) (PDF, English)

Catalog Pages/Data Sheets:

- [AMPLIMITE Subminiature D Connectors - Cable Connectors](#) (PDF, English)

Product Specifications:

- [AMPLIMITE* HDP-22 Subminiature D Connector with Remo...](#) (PDF, English)

Application Specifications:

- [AMPLIMITE HDP-22 Connectors and High-Density 22DF Co...](#) (PDF, English)

Instruction Sheets:

- [Shielding Hardware Kits w/AMPLIMITE hde-20 hdp-20 an...](#) (PDF, English)
- [AMPLIMITE HDP-22 Connectors \(Plugs and Receptacles w...](#) (PDF, English)
- [Insertion/Extraction Tool 91285-1 and Replacement Ti...](#) (PDF, English)

CAD Files: (CAD Format & Compression Information)

- [2D Drawing](#) (DXF, Version 0)
- [3D Model](#) (IGES, Version 0)
- [3D Model](#) (STEP, Version 0)

[List all Documents](#)

Additional Information:

- [Product Line Information](#)

Related Products:

- [Tooling](#)
- [Mating Products \(4\)](#)
- [Plug Kits \(2\)](#)

Product Features (Please use the Product Drawing for all design activity)

Product Type Features:

- [Product Type](#) = Connector
- [Product Series](#) = HDP-22 (Crimp Snap)
- [Mating Connector Lock](#) = Without
- [Shell Size](#) = 2
- [Shell Type](#) = Full Metal Shell
- [Grounding Indents](#) = With
- [Grade](#) = Standard
- [Color](#) = Black
- [Shell Material](#) = Steel
- [Shield Material](#) = Steel

Electrical Characteristics:

- [Shielded](#) = Yes

Dimensions:

- [Cable Insulation Diameter \(mm \[in\]\)](#) = 4.19 - 11.56 [0.165 - 0.455]
- [Cable Diameter \(Max.\) \(mm \[in\]\)](#) = 11.68 [0.460]

Body Features:

- [Shell Plating](#) = Tin
- [Shield Plating](#) = Tin
- [Insert Material](#) = Thermoplastic

Contact Features:

- [Contact Size](#) = 22

Housing Features:

- [Enclosure](#) = With
- [Connector Style](#) = Plug

Configuration Features:

- [Number of Positions](#) = 26
- [Preloaded](#) = No
- [Pre-Assembled](#) = No

Industry Standards:

- [RoHS/ELV Compliance](#) = RoHS compliant, ELV compliant
- [Lead Free Solder Processes](#) = Not relevant for lead free process
- [RoHS/ELV Compliance History](#) = Always was RoHS compliant
- [Insert Flammability Rating](#) = UL 94V-0

Packaging Features:

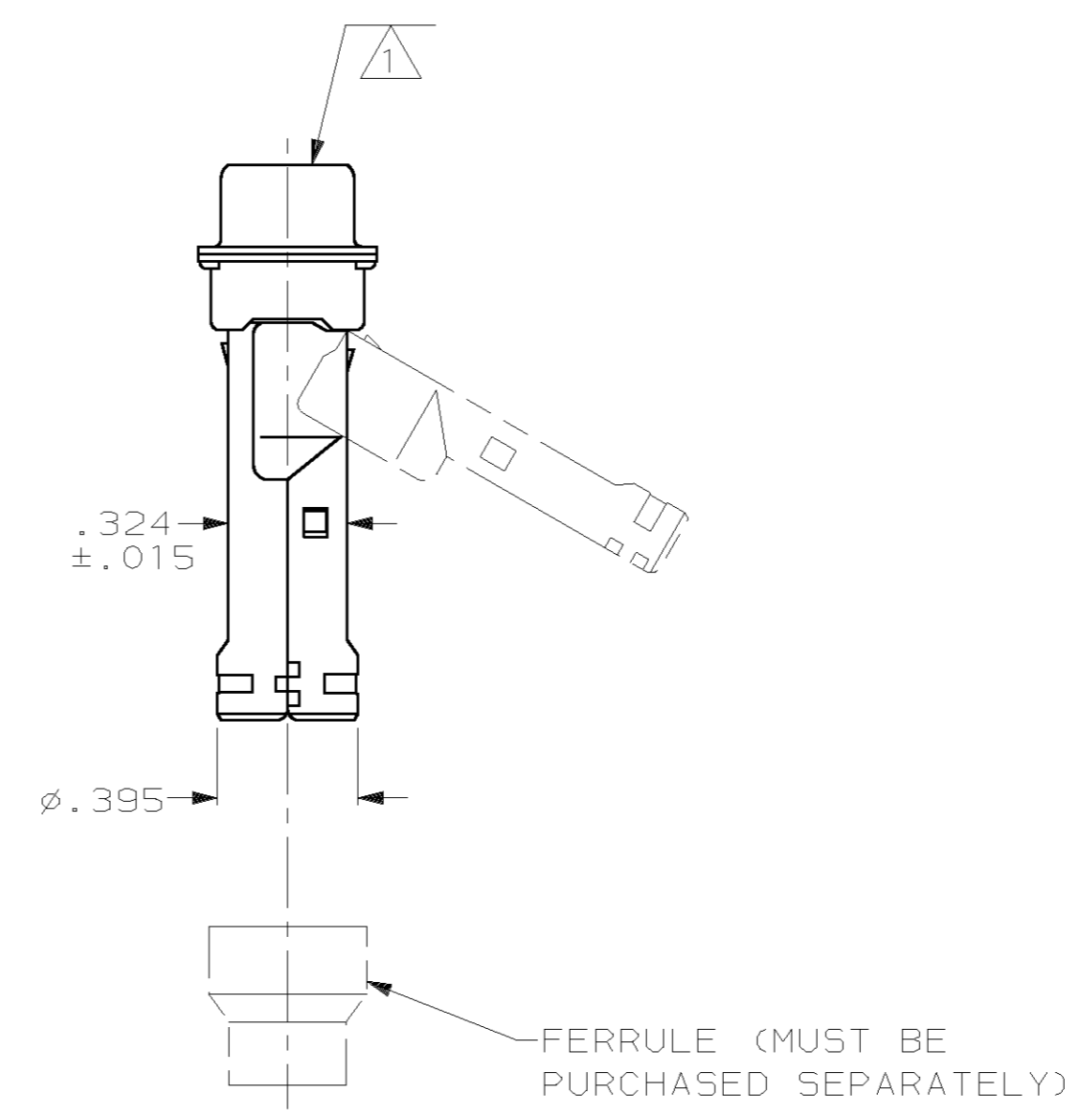
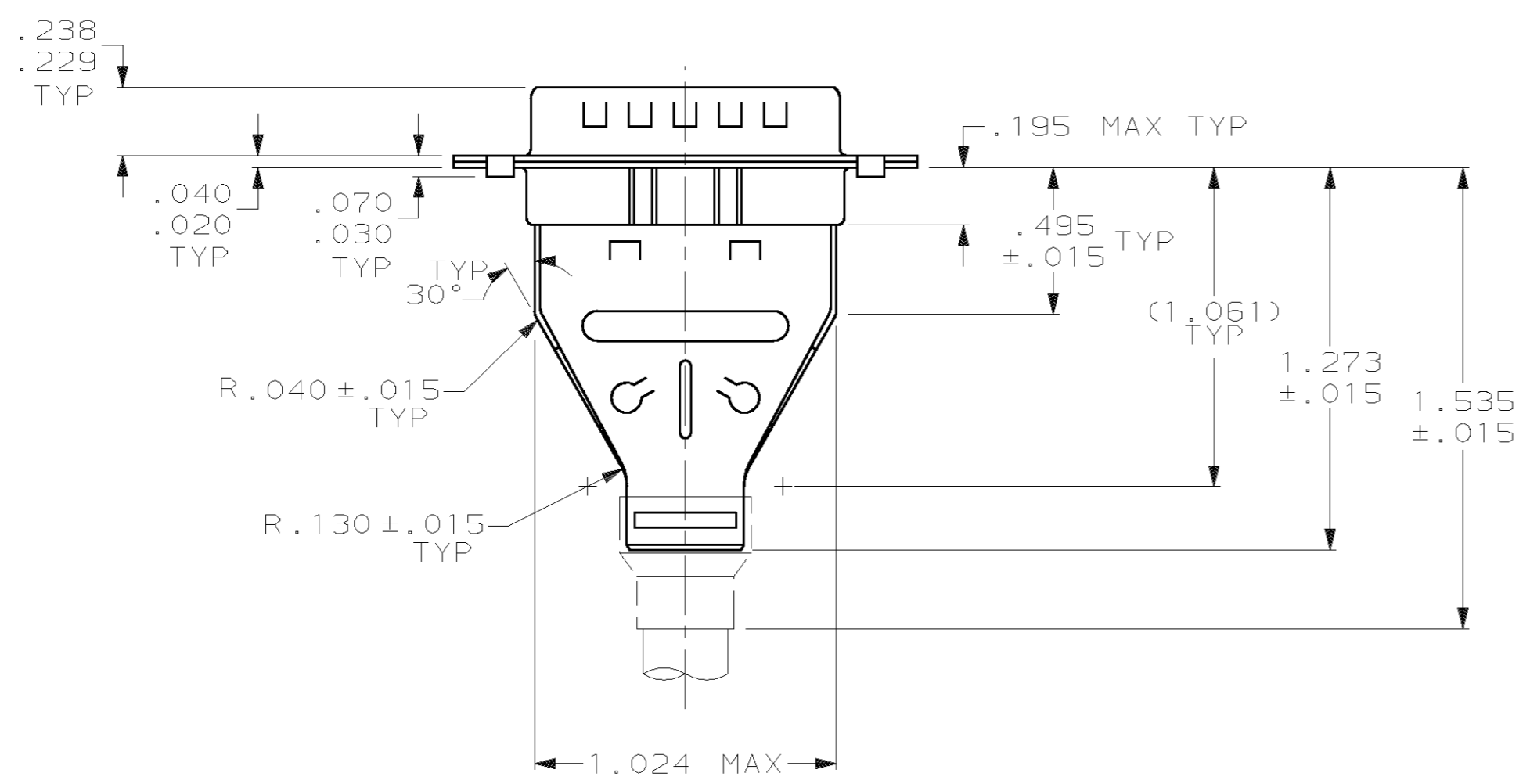
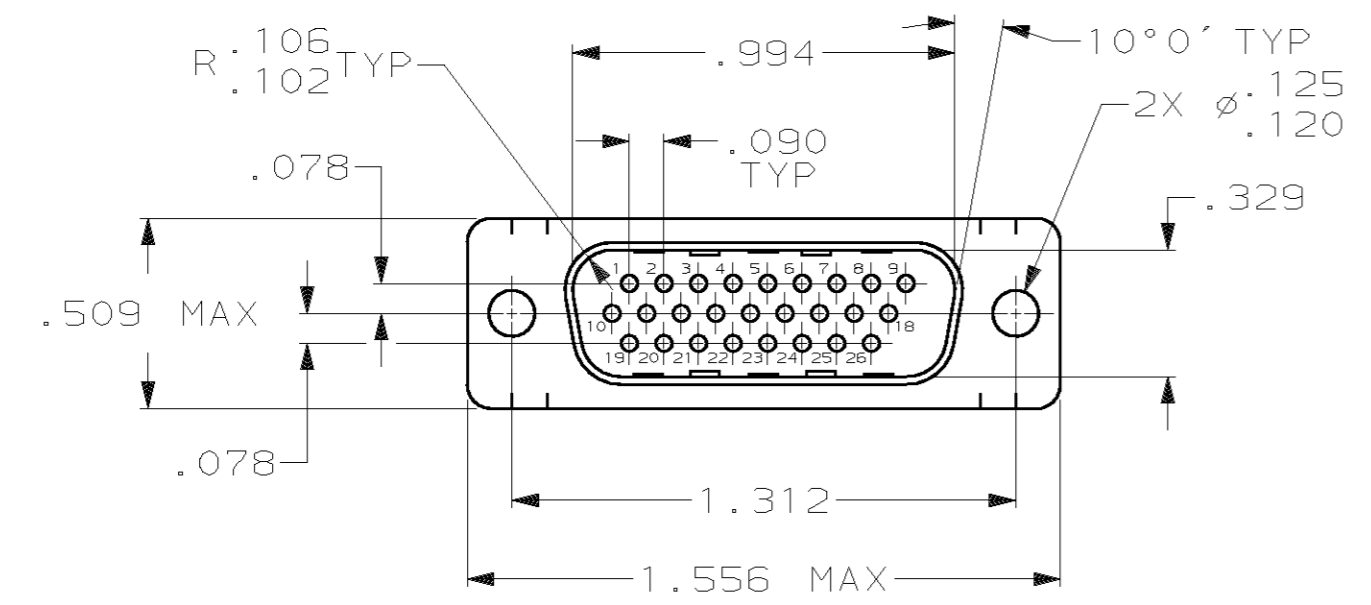
- [Packaging Method](#) = Bulk
- [Packaging Quantity](#) = 100

Other:

- [Brand](#) = AMP
- [Comment](#) = Components shipped unassembled, each part bulk-packaged.

THIS DRAWING IS UNPUBLISHED. RELEASED FOR PUBLICATION
 BY AMP INCORPORATED. ALL RIGHTS RESERVED.

LOC	DIST	REVISIONS					
GP	00	P	LTR	DESCRIPTION	DATE	DWN	APVD
		0		RELEASED PER EC 0513-0209-03	02JAN04	LB	5B



- 1 PLUG ACCEPTS 22 PIN CONTACTS (CONTACTS MUST BE ORDERED SEPARATELY).
- 2. ALL PARTS SHIPPED UNASSEMBLED, EACH PART INDIVIDUALLY BULK PACKED.
- 3 FLAME RETARDANT 94V-0 GLASS FILLED NYLON, BLACK.
- 4 .000200 MIN. TIN PLATE OVER .000100 MIN. COPPER UNDERPLATE.

1658676-1
 PART NUMBER

THIS DRAWING IS A CONTROLLED DOCUMENT.		DWN L. BAUM 02JAN04	AMP Incorporated Harrisburg, PA 17105-3608	
DIMENSIONS: INCH		CHK S. BOLASH 02JAN04	NAME KIT, PLUG, SHIELDING HARDWARE, SIZE 2, 26 POSN, HDP-22, AMPLIMITE™	
TOLERANCES UNLESS OTHERWISE SPECIFIED: 0 PLC ±- 1 PLC ±- 2 PLC ±- 3 PLC ±.005 4 PLC ±- ANGLES ±2°		APVD M. WALMSLEY 02JAN04	PRODUCT SPEC 108-1268	
MATERIAL HOUSING: 3 SHELLS & SHIELDS: CARBON STEEL		FINISH SHELLS & SHIELDS: 4	APPLICATION SPEC 114-10001	RESTRICTED TO
CUSTOMER DRAWING		WEIGHT -	SCALE 2:1	SHEET 1 OF 1
		SIZE A2	CAGE CODE 00779	REV 0