



Have a Question?
Chat with a Product Information Specialist

What can we help you find?

Products Industries Resources About TE My Account Innovation Support Center

1658683-1 Product Details

Share Print Email



1658683-1

TE Internal Number: 1658683-1

Active

View 3D PDF

Standard Cable Connectors

Always EU RoHS/ELV Compliant (Statement of Compliance)

Product Highlights:

- Connector
- Product Series = HDP-22 (Crimp Snap)
- 44 Positions
- Without Enclosure
- Connector Style = Receptacle

View all Features

Quick Links

- ▶ Pricing & Availability
- ▶ Search for Tooling
- ▶ View Mating Products (3)
- ▶ View Receptacle Kits (2)
- ▶ Product Feature Selector
- ▶ Contact Us About This Product

Add to My Part List Request Sample Find Similar Products Buy Product

Documentation & Additional Information	
<p>Product Drawings:</p> <ul style="list-style-type: none"> • RECEPTACLE ASSEMBLY, SIZE 3, 44 POSN, HDP-22, AMPLIMITE (PDF, English) <p>Catalog Pages/Data Sheets:</p> <ul style="list-style-type: none"> • AMPLIMITE Subminiature D Connectors - Cable Connectors (PDF, English) <p>Product Specifications:</p> <ul style="list-style-type: none"> • AMPLIMITE* HDP-22 Subminiature D Connector with Remo... (PDF, English) <p>Application Specifications:</p> <ul style="list-style-type: none"> • AMPLIMITE HDP-22 Connectors and High-Density 22DF Co... (PDF, English) <p>Instruction Sheets:</p> <ul style="list-style-type: none"> • AMPLIMITE HDP-22 Connectors (Plugs and Receptacles w... (PDF, English) • Insertion/Extraction Tool 91285-1 and Replacement Ti... (PDF, English) <p>CAD Files: (CAD Format & Compression Information)</p> <ul style="list-style-type: none"> • 2D Drawing (DXF, Version 0) • 3D Model (IGES, Version 0) • 3D Model (STEP, Version 0) 	<p>Additional Information:</p> <ul style="list-style-type: none"> • Product Line Information <p>Related Products:</p> <ul style="list-style-type: none"> • Tooling • Mating Products (3) • Receptacle Kits (2)

List all Documents

Product Features (Please use the Product Drawing for all design activity)	
<p>Product Type Features:</p> <ul style="list-style-type: none"> • Product Type = Connector • Product Series = HDP-22 (Crimp Snap) • Mating Connector Lock = Without • Shell Size = 3 • Shell Type = Front Metal Shell • Grounding Indents = Without • Grade = Standard • Color = Black • Shell Material = Steel <p>Body Features:</p> <ul style="list-style-type: none"> • Shell Plating = Tin • Insert Material = Thermoplastic <p>Housing Features:</p> <ul style="list-style-type: none"> • Enclosure = Without • Connector Style = Receptacle 	<p>Configuration Features:</p> <ul style="list-style-type: none"> • Number of Positions = 44 • Preloaded = No <p>Industry Standards:</p> <ul style="list-style-type: none"> • RoHS/ELV Compliance = RoHS compliant, ELV compliant • Lead Free Solder Processes = Not relevant for lead free process • RoHS/ELV Compliance History = Always was RoHS compliant • Insert Flammability Rating = UL 94V-0 <p>Packaging Features:</p> <ul style="list-style-type: none"> • Packaging Quantity = 50 <p>Other:</p> <ul style="list-style-type: none"> • Brand = AMP

Corporate Information

- About TE
- Investors
- News Room
- Supplier Portal
- Careers

Quick Links

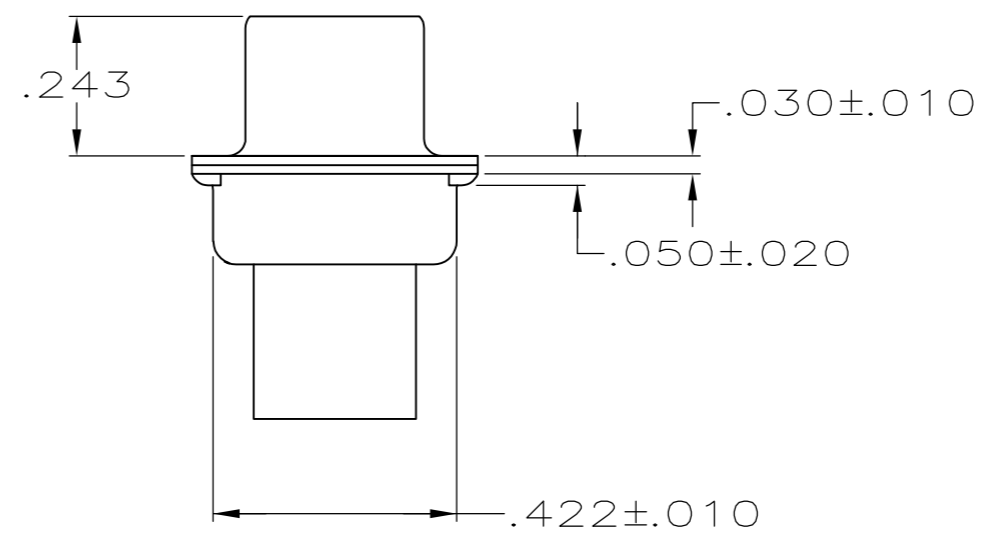
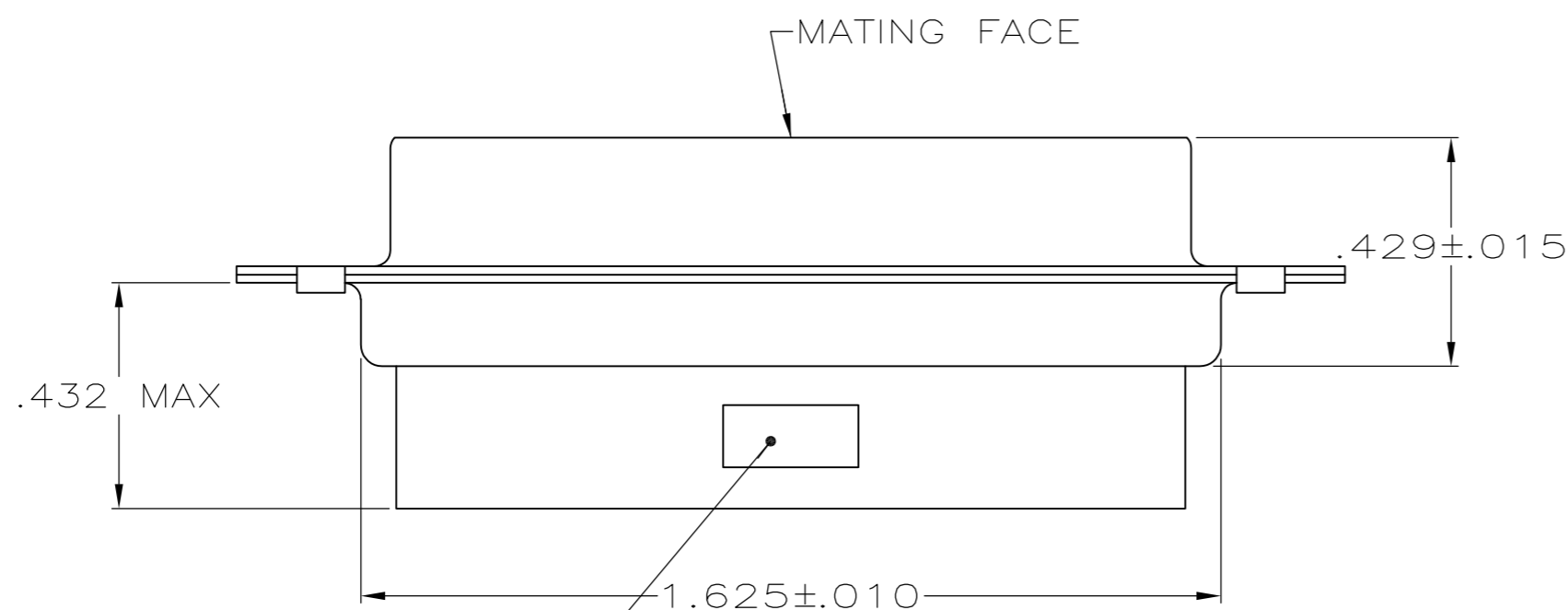
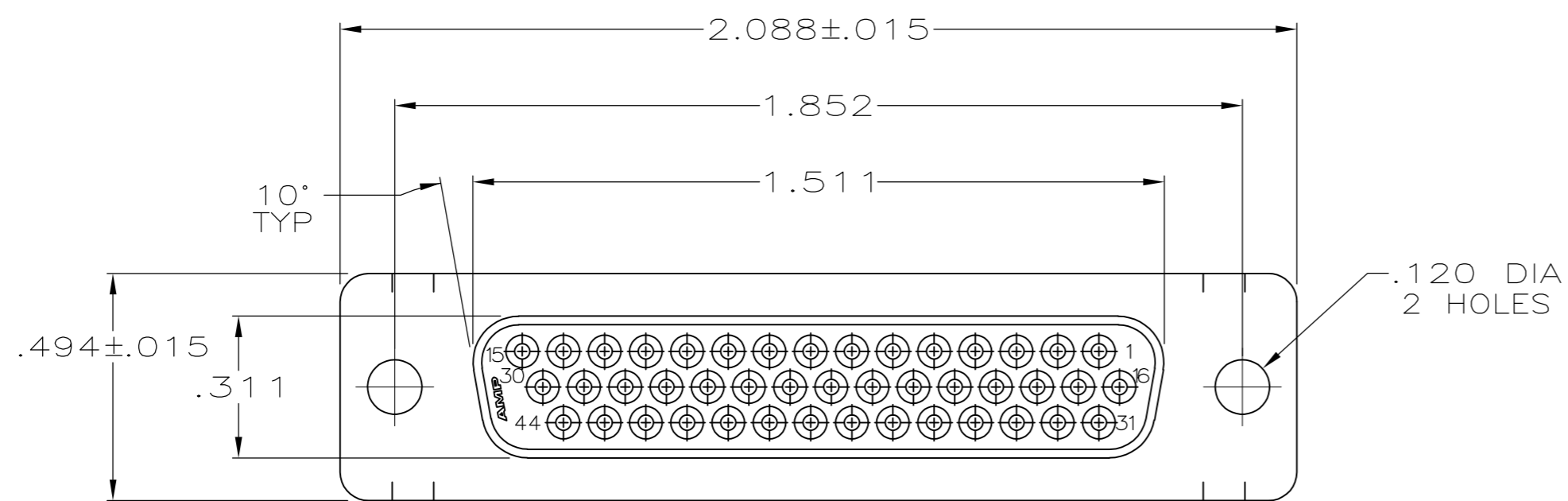
- Distributor Inventory
- Product Cross Reference
- Documents & Drawings
- Product Compliance Support Center
- Site Map

Customer Support

- Email or Chat With Us
- Find a Phone Number
- Knowledge Base
- Manage Your Account

THIS DRAWING IS UNPUBLISHED. RELEASED FOR PUBLICATION
 © COPYRIGHT - By - ALL RIGHTS RESERVED.

LOC		DIST		REVISIONS			
P	LTR	DESCRIPTION	DATE	DWN	APVD		
GP	00						
	P	REVISED PER ECO-11-004835	11MAR11	RK	HMR		



TYCO, PART NO & DATE CODE, MARKED IN AREA INDICATED, ON FAR SIDE

- 1. CONNECTOR ACCEPTS 22 DF SOCKET CONTACTS, RETENTION TINES ARE AN INTEGRAL PART OF INSERT.
- 2. FLAME RETARDANT 94V-0 RATED GLASS FILLED NYLON, COLOR: BLACK.
- 3. CARBON STEEL.
- 4. .000200 MIN. TIN PLATE OVER .000100 MIN. COPPER UNDERPLATE.

1658683-1
PART NUMBER

THIS DRAWING IS A CONTROLLED DOCUMENT.		DWN	L. BAUM	02JAN04		TE Connectivity		
DIMENSIONS: INCHES		CHK	S. BOLASH	02JAN04		NAME		
TOLERANCES UNLESS OTHERWISE SPECIFIED:		APVD	M. WALMSLEY	02JAN04		RECEPTACLE ASSEMBLY, SIZE 3, 44 POSN, HDP-22, AMPLIMITE®		
0 PLC ± - 1 PLC ± - 2 PLC ± - 3 PLC ± .005 4 PLC ± - ANGLES ± 2° FINISH		PRODUCT SPEC	108-1268			SIZE	CAGE CODE	DRAWING NO
MATERIAL MOLDED PARTS: SHELLS:		APPLICATION SPEC	114-10001		A2	00779	C=1658683	
SHELLS: △		WEIGHT	-		RESTRICTED TO			
CUSTOMER DRAWING		SCALE		3:1	SHEET		1 of 1	
		REV		P				