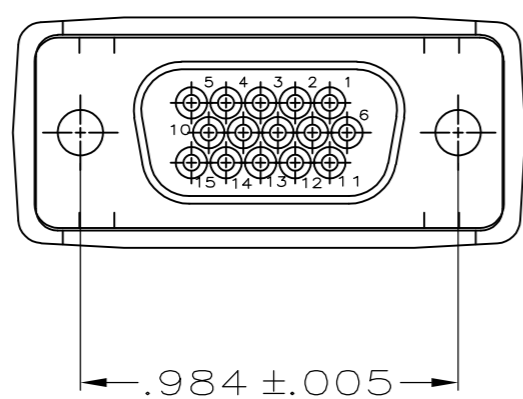
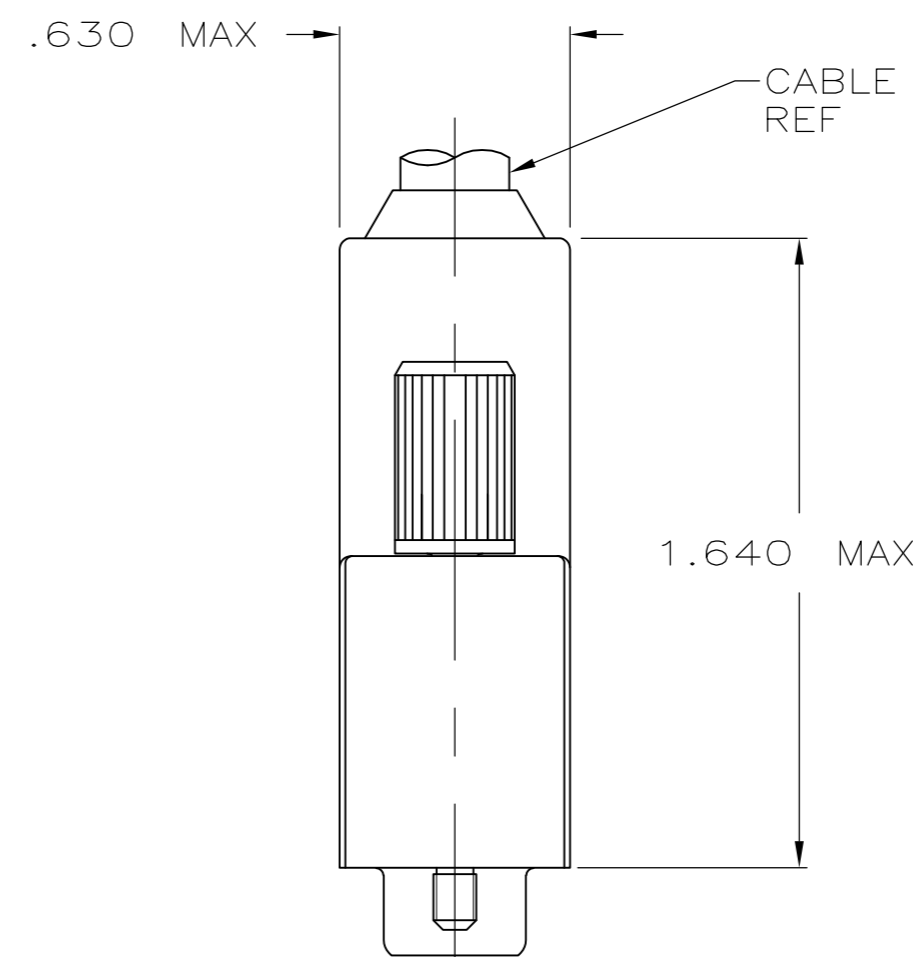
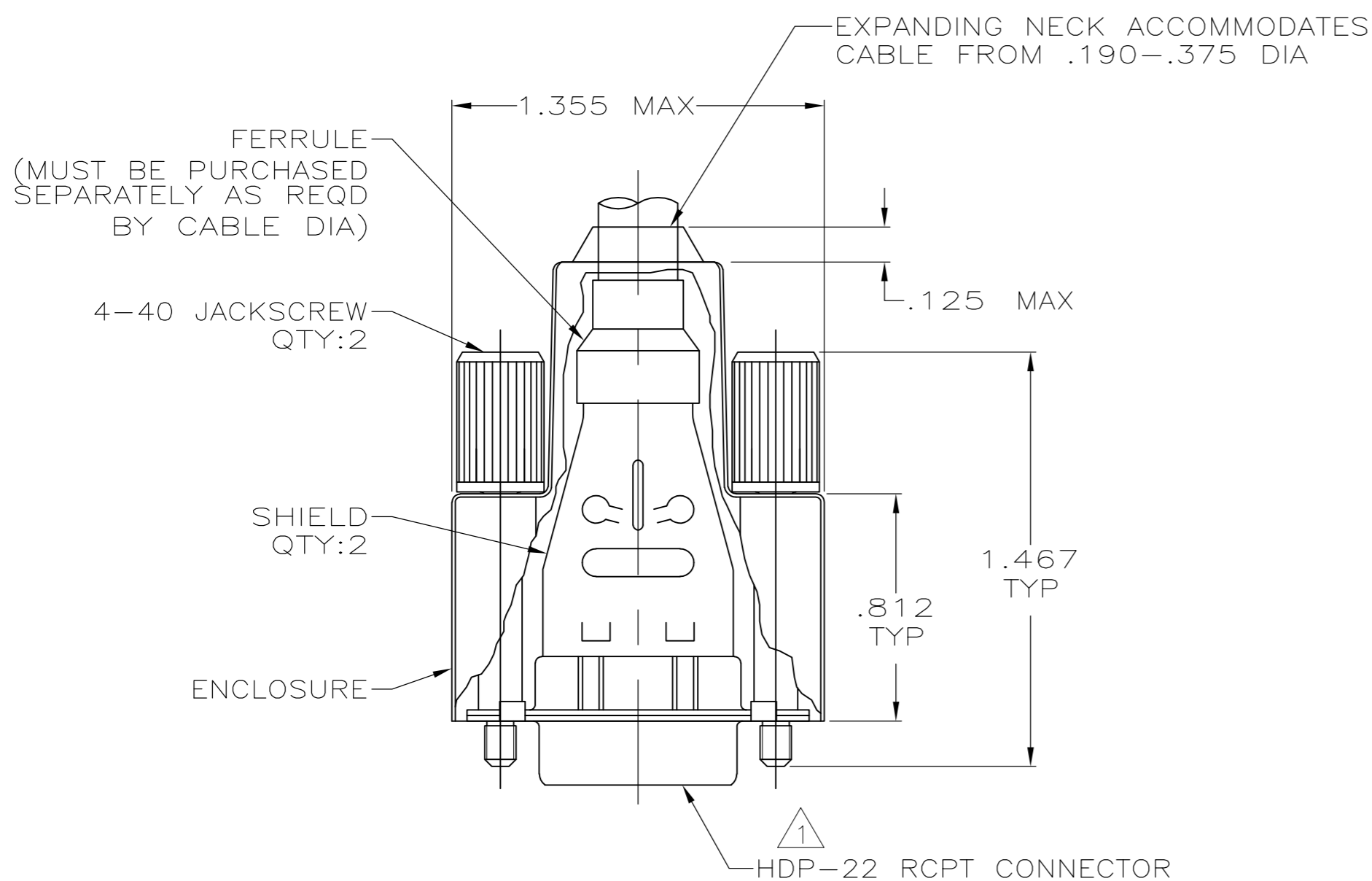


THIS DRAWING IS UNPUBLISHED. RELEASED FOR PUBLICATION
 © COPYRIGHT BY TYCO ELECTRONICS CORPORATION. ALL RIGHTS RESERVED.

LOC	DIST	REVISIONS			
P	LTR	DESCRIPTION	DATE	DWN	APVD
GP	00	REVISED PER ECO-08-003213	05FEB08	BM	CR

- 1 RECEPTACLE ACCEPTS 22 DF PIN CONTACTS. CONTACTS MUST BE PURCHASED SEPARATELY.
- 2. ALL PARTS SHIPPED UNASSEMBLED.
- 3 MATERIAL:
ENCLOSURE: FLAME RETARDANT 94V-0 RATED, STYRENE POLYOLEFIN OR PVC, BLACK.
- 4 MATERIAL:
INSERTS: FLAME RETARDANT 94V-0 RATED GLASS FILLED, NYLON OR POLYESTER, BLACK.
- 5 MATERIAL:
SHELL & SHIELD: CARBON STEEL.
- 6 FINISH:
SHELL & SHIELD: .000200 MIN. TIN PLATE OVER .000200 MIN. COPPER UNDERPLATE.
- 7 FINISH:
JACKSCREW: ZINC PHOSPHATE COATING, BLACK.
- 8. COMPONENTS INDIVIDUALLY BULK PACKED.
- 9 MATERIAL:
JACKSCREW: ZINC ALLOY.



1658688-1
PART NUMBER

THIS DRAWING IS A CONTROLLED DOCUMENT.		DWN L. BAUM 02JAN04	Tyco Electronics Corporation Harrisburg, PA 17105-3608	
DIMENSIONS: INCHES		CHK S. BOLASH 02JAN04	NAME	
TOLERANCES UNLESS OTHERWISE SPECIFIED:		APVD M. WALMSLEY 02JAN04	SHIELDING ENCLOSURE KIT, RCPT, SIZE 1, 15 POSN, HDP-22, AMPLIMITE™	
0 PLC ± -		PRODUCT SPEC	SIZE	RESTRICTED TO
1 PLC ± -		APPLICATION SPEC	CAGE CODE	
2 PLC ± -		108-1268	DRAWING NO	
3 PLC ± .005		114-10001	SCALE	
4 PLC ± -		WEIGHT	SHEET	
ANGLES ± 2°			REV	
FINISH		CUSTOMER DRAWING		
MATERIAL		SCALE 2:1 SHEET 1 of 1 REV A		