

Distributed by:

**JAMECO**<sup>®</sup>  
ELECTRONICS

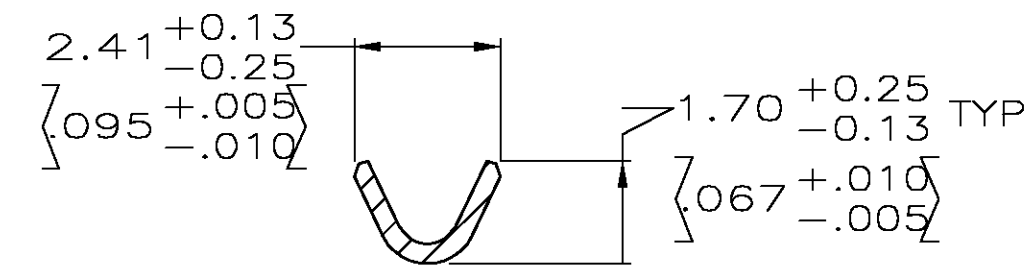
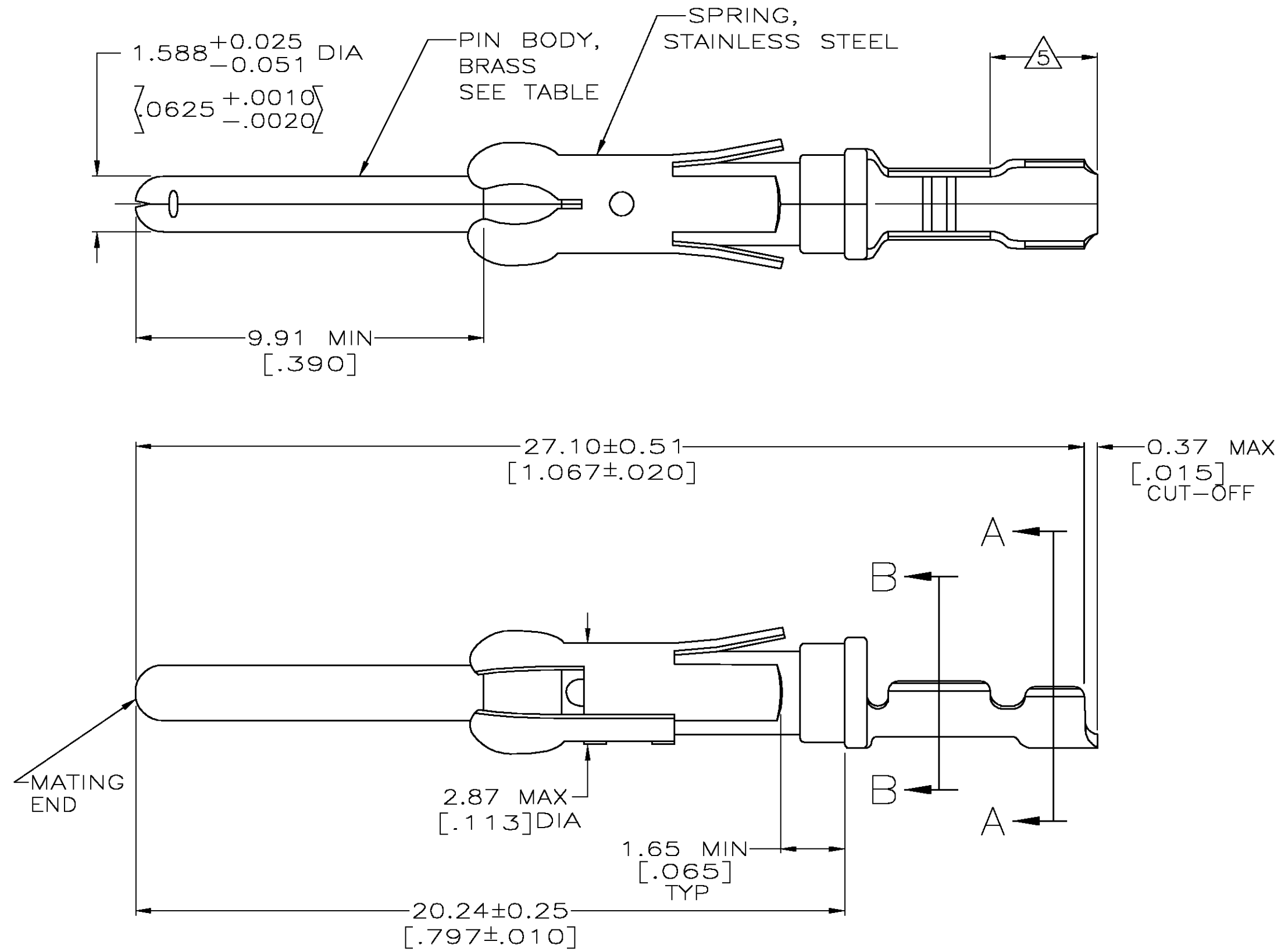
**www.Jameco.com ♦ 1-800-831-4242**

The content and copyrights of the attached  
material are the property of its owner.

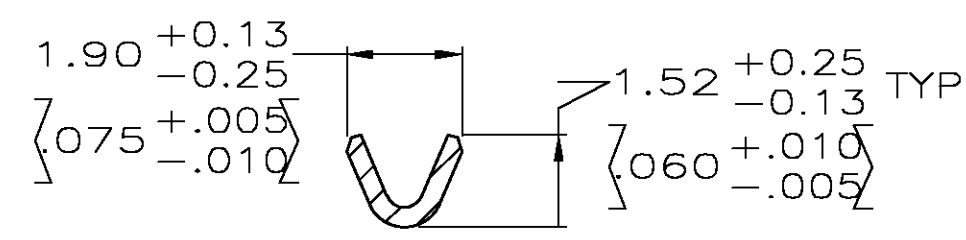
Jameco Part Number 891413

THIS DRAWING IS UNPUBLISHED. RELEASED FOR PUBLICATION  
 © COPYRIGHT BY TYCO ELECTRONICS CORPORATION. ALL RIGHTS RESERVED.

LOC	DIST	REVISIONS			
P	LTR	DESCRIPTION	DATE	DWN	APVD
FT	47	E	0B3B-0344-03	20APR03	TK GS



SECTION A-A



SECTION B-B

- ① 0.76µm [.000030] MIN GOLD PER MIL-G-45204 ON MATING END FOR A LENGTH OF 5.08 [.200] MIN WITH GOLD FLASH ON THE REMAINDER, OVER 1.27µm [.000050] MIN NICKEL PER QQ-N-290.
- ② 0.76µm [.000030] MIN GOLD PER MIL-G-45204 IN MATING END FOR A LENGTH OF 5.08 [.200] MIN WITH A UNIFORM GRADIENT TO 0.25µm [.000010] MIN GOLD PER MIL-G-45204 ON THE REMAINDER, OVER 1.27µm [.000050] MIN NICKEL PER QQ-N-290.
- ③ 0.38µm [.000015] MIN GOLD PER MIL-G-45204 ON MATING END FOR A LENGTH OF 5.08 [.200] MIN WITH GOLD FLASH ON THE REMAINDER OVER 1.27µm [.000050] MIN NICKEL PER QQ-N-290.
- ④ 1.27µm [.000050] MIN GOLD PER MIL-G-45204 ON MATING END FOR A LENGTH OF 5.08 [.200] MIN WITH GOLD FLASH ON THE REMAINDER OVER 1.90µm [.000075] MIN NICKEL PER QQ-N-290.
- ⑤ GOLD PLATING NOT REQUIRED IN THIS AREA.
- ⑥ 1.27µm [.000050] MIN TIN-LEAD PER MIL-T-10727 OVER 1.27µm [.000050] MIN NICKEL PER QQ-N-290.
- 7. WIRE RANGE 26-24 AWG.
- 8. INSULATION RANGE 0.89[.035]-1.40[.055] DIA.
- ⑨ 0.38µm [.000015] MIN GOLD PER MIL-G-45204 ON MATING END FOR A LENGTH OF 5.08 [.200] MIN, 1.27µm [.000050] MIN TIN-LEAD PER MIL-T-10727 FOR A LENGTH OF 5.69 [.224] MIN ON OPPOSITE END, BOTH OVER 1.27µm [.000050] MIN NICKEL PER QQ-N-290 ON ENTIRE CONTACT.
- ⑩ 1.27µm [.000050] MIN TIN PER MIL-T-10727 OVER 1.27µm [.000050] MIN NICKEL PER QQ-N-290.

	SMALL PACK	⑩	1-66107-1	1-66107-2
	STANDARD	⑩	1-66106-5	1-66107-1
	SMALL PACK	①	66106-4	1-66107-0
	SMALL PACK	⑥	66106-2	66107-9
OBSOLETE	STANDARD	⑨	1-66106-4	66107-8
OBSOLETE	STANDARD	④	1-66106-2	66107-7
	STANDARD	①	66106-4	66107-4
	STANDARD	③	66106-3	66107-3
	STANDARD	⑥	66106-2	66107-2
	STANDARD	②	66106-1	66107-1
	PACKAGING TYPE	PIN BODY FINISH	STRIP P/N REF	PART NO

THIS DRAWING IS A CONTROLLED DOCUMENT.		DWN L.SIPE 06/02/92	Tyco Electronics Corporation	
G. STEINHAUER INCHES		CHK W.LENKER 6-11-92	City, State, Zip	
TOLERANCES UNLESS OTHERWISE SPECIFIED:		APVD G.STEINHAUER 7-8-92	NAME	
0 PLC ± -	1 PLC ± -	PRODUCT SPEC	PIN ASSEMBLY, LOOSE PIECE, TYPE III+	
2 PLC ± 0.13 [.005]	3 PLC ± -	APPLICATION SPEC	-	
4 PLC ± -	ANGLES ± -	WEIGHT -	SIZE A2	CAGE CODE 00779
MATERIAL SEE CALLOUTS	FINISH SEE CALLOUTS	CUSTOMER DRAWING	SCALE 8:1	SHEET 1 OF 1
			RESTRICTED TO	REV E