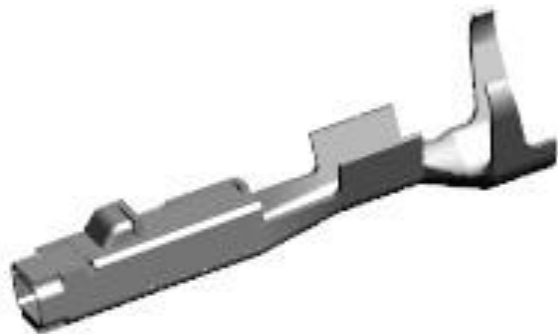


Multiple Contact Point (MCP) & MCON Contact Systems



Product Highlights:

- MCON Product Line
- Wire-to-Wire
- Applies To Wire/Cable
- Contact
- Contact Type = Socket

Product Features (Please use the Product Drawing for all design activity)

Product Type Features:

- Product Line = MCON
- Product Type = Contact
- Wire/Cable Type = FLR (Thin Walled Cable)
- Sealed = Yes

Mechanical Attachment:

- Contact Retention = With
- Contact Retention Type = Locking Lance

Electrical Characteristics:

- Contact - Rated Current (A) = 20

Termination Features:

- Wire/Cable Size (mm²) = 0.5 – 0.75
- Wire/Cable Size (AWG) = 18 – 20
- Termination Method to Wire/Cable = Crimp
- Seal Type = Single Wire Seal(s)

Dimensions:

- Mating Area Interface Dimensions (mm [in]) = 1.20 [.047]

Body Features:

- Spring Material = CuNi3Si
- Spring Plating = Tin
- Wire Type = Stranded
- Seal Material = Silicone Elastomer, Silicone VMQ 50
- Seal Color = Green, Gray

Contact Features:

- Contact Type = Socket
- Contact Base Material = CuSn0.15
- Contact Plating, Mating Area, Material = Tin
- Contact Plating, Mating Area, Thickness (µm [µin]) = 1 – 3 [39.37 – 118.11]
- Spring Plating, Mating Area, Thickness (µm [µin]) = 1 – 3 [39.37 – 118.11]
- Contact Style = Clean Body

Industry Standards:

- RoHS/ELV Compliance = RoHS compliant, ELV compliant
- Lead Free Solder Processes = Not relevant for lead free process
- RoHS/ELV Compliance History = Always was RoHS compliant

Environmental:

- Sealing System = Single Wire Sealing System (SWS)
- Operating Temperature (°C [°F]) = -40 – +130 [-40 – +266]

Conditions for Usage:

- Applies To = Wire/Cable
- Accepts Wire Insulation Diameter, Range (mm [in]) = 1.40 – 1.90 [0.055 – 0.075]

Operation/Application:

- Application Use = Wire-to-Wire

Packaging Features:

- Packaging Method = Reel

- Packaging Quantity = 6,500

Other:

- Brand = TE Connectivity