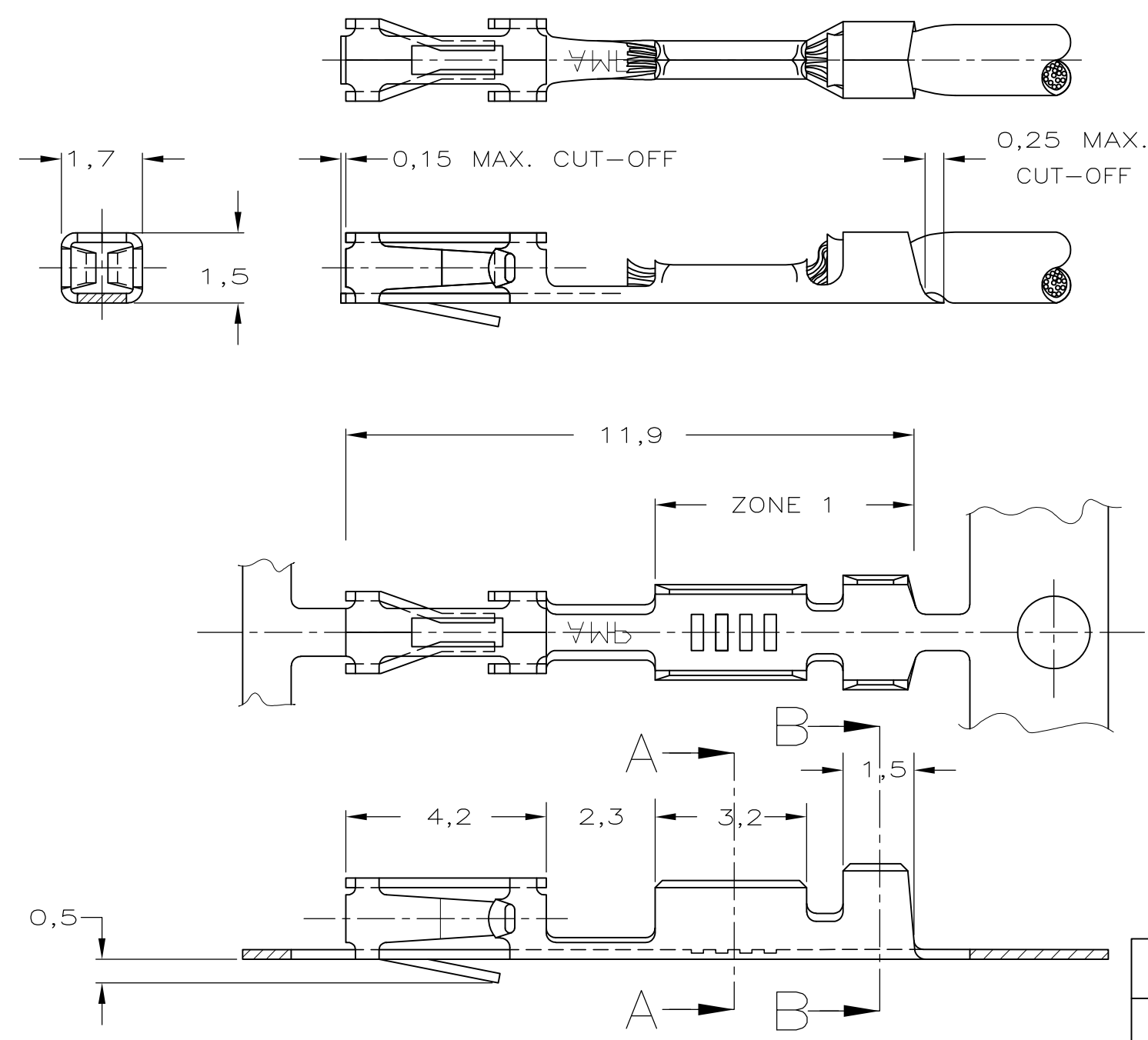


NOTES:

- 1 FOR MINI-APPLICATOR-CRIMPING.
- 2 UNDERCOATING:1,25µm Ni,SELECTIVE:0,8µm Au, ZONE 1: 0,5µm MIN. GOLDFLASH.
- 3 UNDERCOATING:1,25µm Ni,SELECTIVE:0,8µm Au, REMAINDER:GOLDFLASH.
- 4 UNDERCOATING:1,25µm Ni,SELECTIVE:0,4µm Au, NO GOLDFLASH.
- 5 UNDERCOATING:1,25µm Ni,SELECTIVE:2,0µm Au, REMAINDER:GOLDFLASH.
- 6 PRE-TINPLATED:2,0µm.
- 7 ZONE 1:BRIGHT TIN/LEAD PLATED.
- 8 MATERIAL:PHOSPHORBRONZE
- 9 FOR STANDARD-APPLICATOR-CRIMPING.
- 10 FOR REELFED-HANDTOOL-CRIMPING, 500 CONTACTS ON A SMALL REEL.
- 11 24-20 AWG (0,20-0,56 mm<sup>2</sup>) WITH .055 CRIMPER.  
26 AWG (0,12-0,14 mm<sup>2</sup>) WITH .042 CRIMPER.
- 12 OBSOLETE PARTS: OBSOLETE CIS STREAMLINING PER D.RENAUD/D.SINISI



WIRE RANGE	1
INSUL. RANGE	1,4 MAX. DIA.

GOLD	2	1-141708-2	5-167301-4	12	10
TIN	6	1-141708-1	5-167301-2	12	10
GOLD	5	≠	2-167301-6	12	1
			2-167301-5		9
GOLD	2	1-141708-2	2-167301-4		1
			2-167301-3	12	9
TIN	6	1-141708-1	2-167301-2		1
			2-167301-1		9
GOLD	4	7	≠	1-167301-6	1
				1-167301-5	9
GOLD	3	141708-1	167301-4		1
			167301-3		9

		FINISH			LOOSE PIECE		PARTNUMBER					
-	-	-	-	-	CUSTOMER DRAWING FOR REFERENCE ONLY WILL NOT BE UPDATED							
-	-	-	-	-	© COPYRIGHT 19 - BY AMP HOLLAND B.V. ALL INTERNATIONAL RIGHTS RESERVED.AMP PRODUCTS MAY BE COVERED BY U.S. AND FOREIGN AND/OR PATENTS PENDING. THIS DRAWING IS UNPUBLISHED RELEASED FOR PUBLICATION ,19							
J1	REVISED PER ECO-09-020935	KK	AEG	28AUG09	TYCO ELECTRONICS NEDERLAND B.V. 's-HERTOGENBOSCH, THE NETHERLANDS							
J	EH01-1317-03	RvH	MvD	07NOV03	NAME AMPMODU MOD.4 RECEPTACLE,S.C.P. STRIP							
H	EH-2039-98	JvL	JvL	03-12-98								
G	EH-0868-98	JvL	JvL	12-06-98								
F	H-9172	R.D.	-	02-10-91								
LTR.	REVISION RECORD	DR.	CHK.	DATE								
DR.:	R.VISSER	CHK.:	J.v.LIEMPT	APP.:	L.v.SOEST	DWG.No.	C-167301	REV.LTR.	J1	SHEET	1 OF 1	A3
DATE:	11-11-87	DATE:	-	DATE:	-							