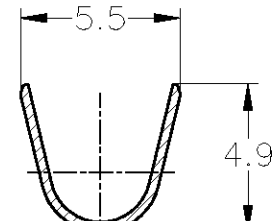
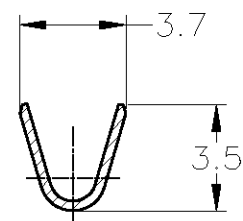
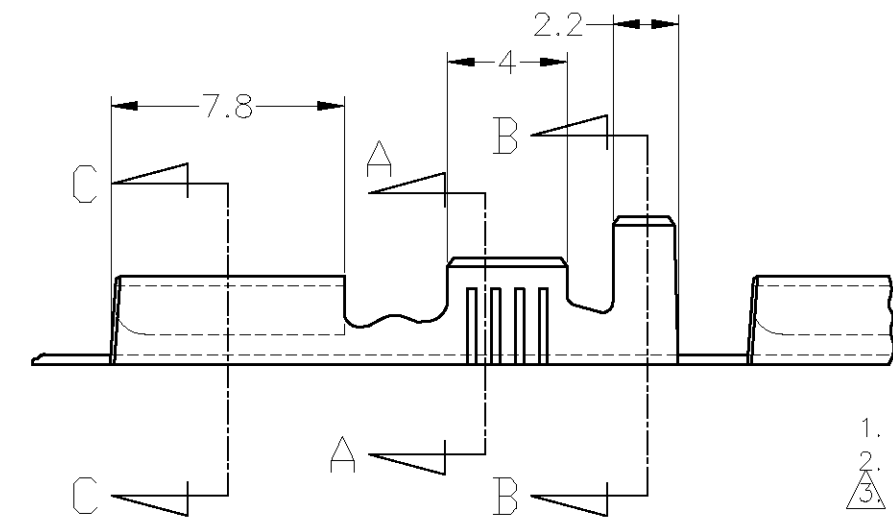
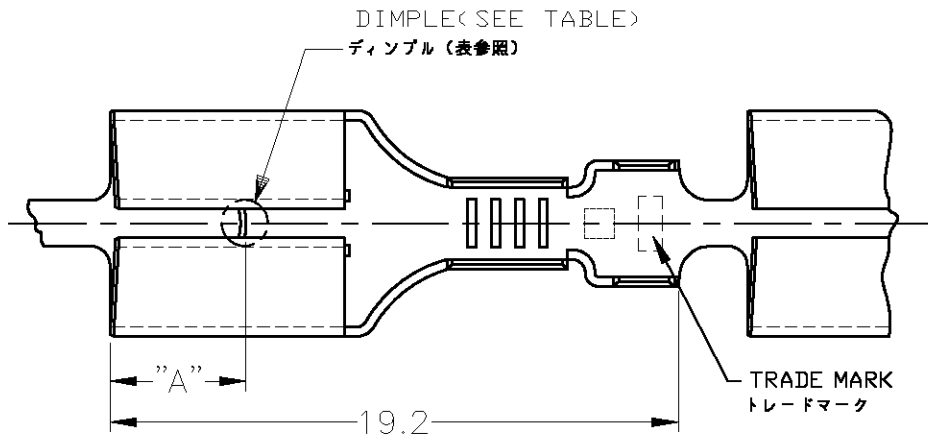


THIS DRAWING IS UNPUBLISHED. RELEASED FOR PUBLICATION
 © COPYRIGHT 2004 BY TYCO ELECTRONICS CORPORATION. ALL RIGHTS RESERVED.

LOG	DIST	REVISIONS		
J	-	P	LTR	DESCRIPTION
		U	REVISED	ECR-08-029624
				DATE
				21NOV'08
				DWN
				J.S
				APVD
				N.Y

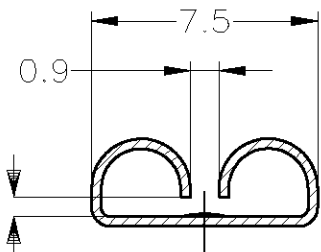
推奨タブ図

RECOMMENDED TAB DIMENSIONS



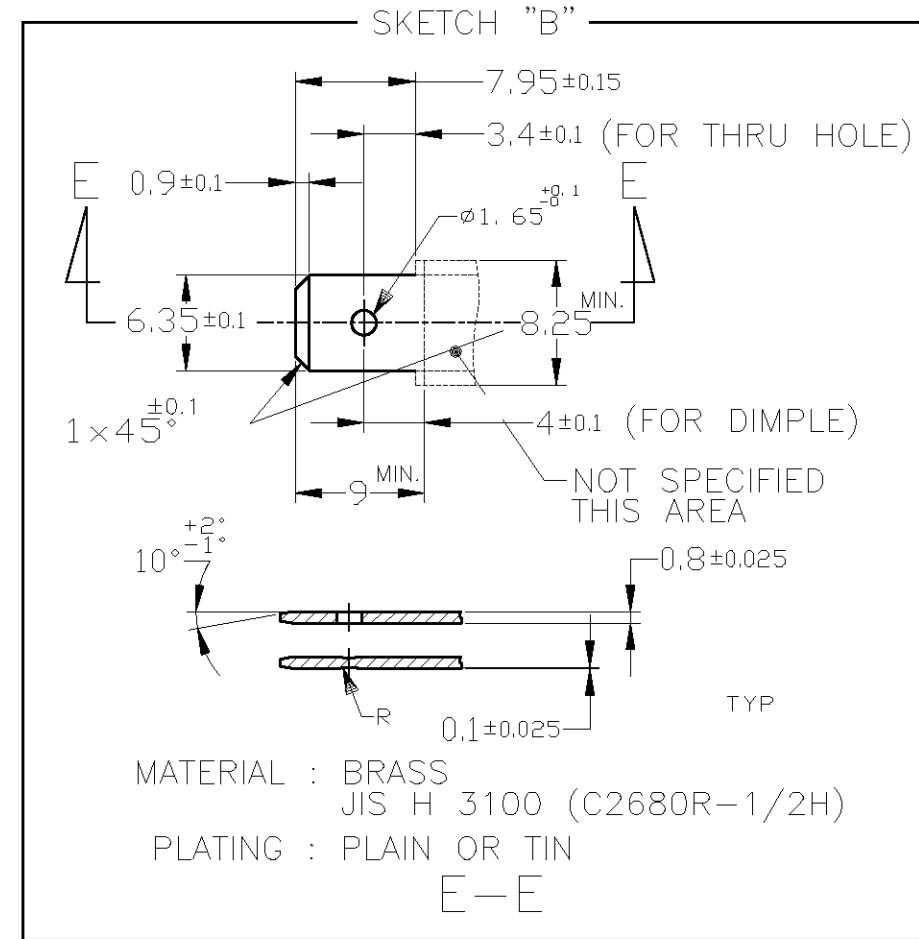
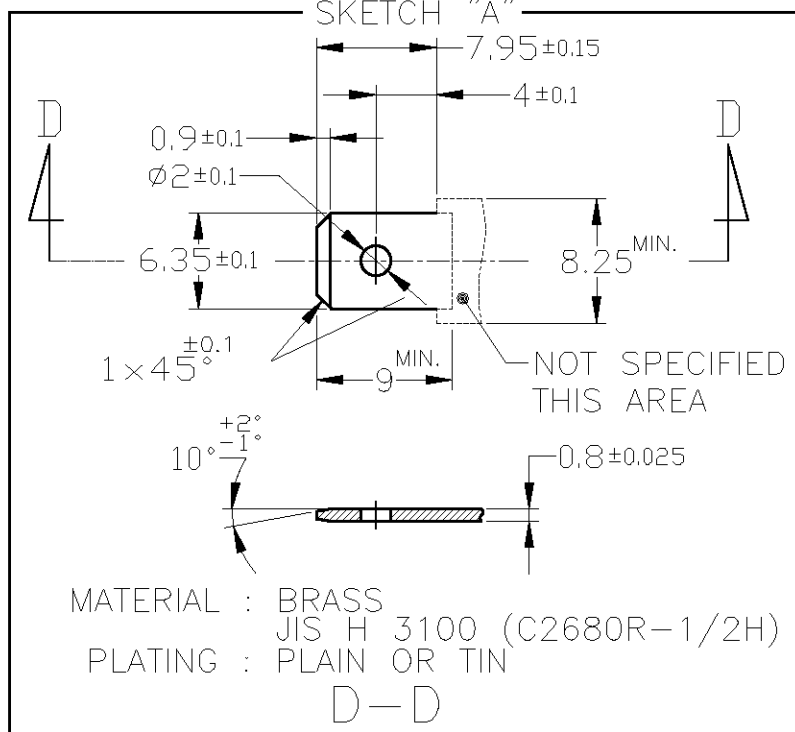
A-A

B-B



この寸法は嵌合力によって管理する。
 THIS DIMENSION IS CONTROLLED WITH MATING FORCE.

C-C



- PRODUCT SPEC : 108-5153, 108-5169
- CRIMP SPEC : 114-5052
- STRESS RELIEVING FINISH IS SUBJECT TO CHANGE BY THE TYPE OF STRESS RELIVING PROCESS
 INERT GAS FURNACE - - - -MATTE
 ATOMOSPHERIC FURNACE FOLLOWED BY ACID PICKLE - - - -BRIGHT
- ELIMINATION STRESS RELIVING PROCESS
- PRODUCT SPECIFICATION: 108-5147
- QUALIFICATION TEST REPORT: 501-5050

OBSELETE	AMP AUSTRALIAN PRODUCT	170030-1	W/O DIMPLE	△	BRASS	-/-	-/-	6-170032-2
	OR EQUIVALENT TO 170030	170030-3	W/O DIMPLE	TIN PLATING	ZKLF-5 #4	-/-	-/-	170032-6
	OR EQUIVALENT TO 170030	170256-3	W/O DIMPLE	TIN PLATING	BRASS	-/-	179461-5	170032-5
	OR EQUIVALENT TO 170256	SKETCH, "A"	WITH DIMPLE	TIN PLATING	BRASS	4.5	-/-	170032-4
		SKETCH "A" OR "B"	WITH DIMPLE	//	BRASS	3.8	//	170032-3
		170030-1	W/O DIMPLE	-/-	BRASS	-/-	-/-	170032-2
		OR EQUIVALENT TO 170030	WITH DIMPLE	-/-	BRASS	4.5	-/-	170032-1
		SKETCH, "A"	WITH DIMPLE	-/-	BRASS	4.5	-/-	170032-1
		MATING TAB	DIMPLE	FINISH	MATERIAL	"A"	LOOSE PIECE NUMBER	PART NUMBER

- 製品規格 : 108-5153, 108-5169
- 取付適用規格 : 114-5052
- ストレス除去処理
 処理方法により外観が変わります。
 不活性ガス加熱方式 - - - 無光沢
 大気加熱方式 - - - 光沢
- ストレス除去処理をしない。
- 製品規格 : 108-5147
- 認定試験報告書 : 501-5050

THIS DRAWING IS A CONTROLLED DOCUMENT.

DIMENSIONS: 単位: 耗 mm	TOLERANCES UNLESS OTHERWISE SPECIFIED: 一般公差 ±0.4	DWN A.YAMAGUCHI 23JUN04	Tyco Electronics Kawasaki, Japan 250 SERIES RECEPTACLE WITHOUT LATCH
	0-PLC ± 1-PLC ± 2-PLC ± 3-PLC ± 4-PLC ± ANGLES ±3°	CHK K.BETSUI 23JUN04	
		APVD K.BETSUI 23JUN04	
		PRODUCT SPEC 製品規格 SEE NOTE	
MATERIAL 材料 0.32 THK	FINISH 仕上 SEE TABLE △	APPLICATION SPEC 取付適用規格	NAME 名称 250 SERIES RECEPTACLE WITHOUT LATCH
WIRE RANGE 0.5-2.27mm ² (AWG20-14)	INSULATION DIA. 2.16~3.43mmφ	WEIGHT -	SIZE A3
		CAGE CODE 00779	DRAWING NO 番号 170032
		RESTRICTED TO -	
		SCALE 尺度 4:1	
		SHEET 1 OF 1	
		REV U	

CUSTOMER DRAWING