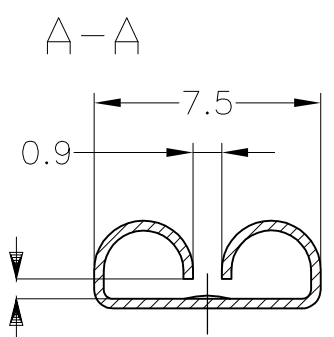
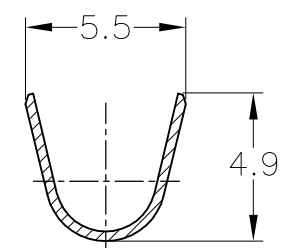
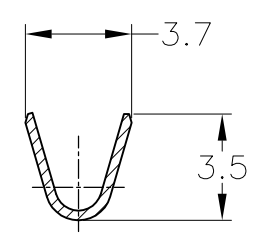
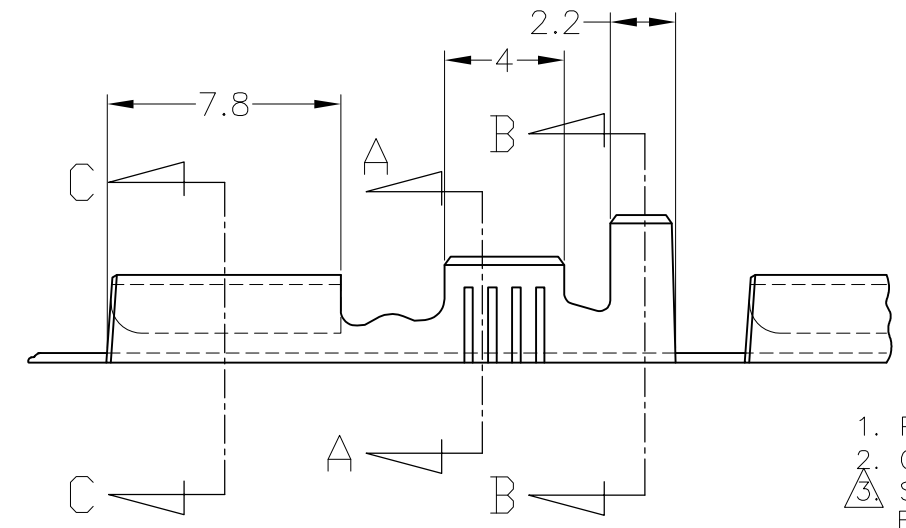
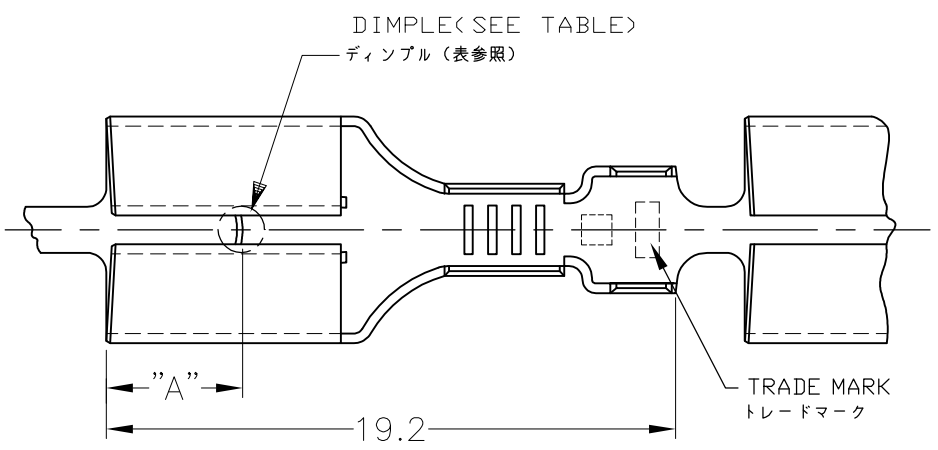


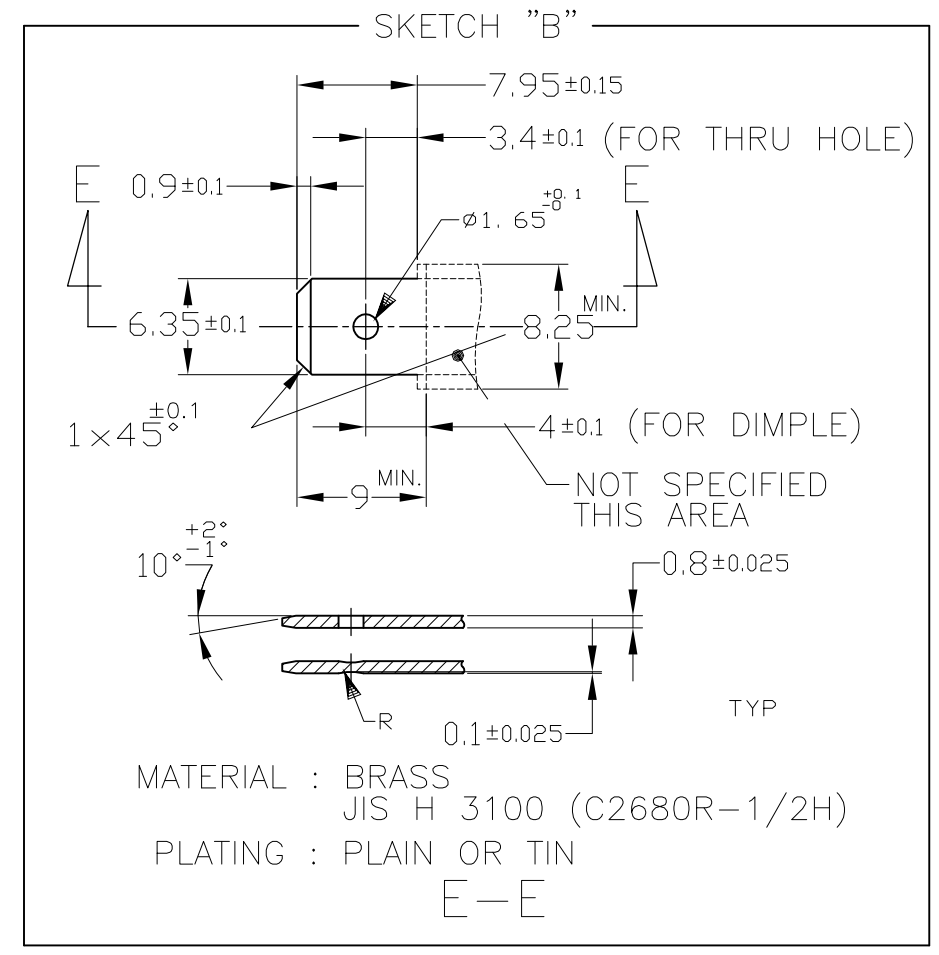
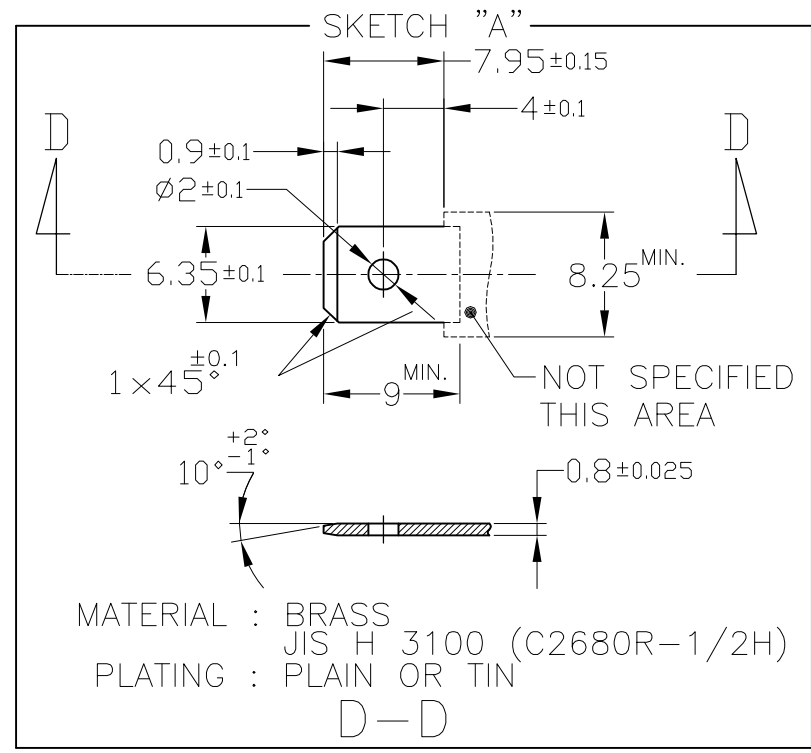
THIS DRAWING IS UNPUBLISHED. RELEASED FOR PUBLICATION  
 © COPYRIGHT 2004 By - ALL RIGHTS RESERVED.

LOC	DIST	REVISIONS					
		P	LTR	DESCRIPTION	DATE	DWN	APVD
J	-		U1	REVISED PER ECO-11-005030	11MAR11	RK	HMR
			U2	REVISED PER ECR-15-013317	19SEP2015	L.P	T.D



この寸法は嵌合力によって管理する。  
THIS DIMENSION IS CONTROLLED WITH MATING FORCE.

推奨タブ図  
RECOMMENDED TAB DIMENSIONS



1. PRODUCT SPEC : 108-5153, 108-5169
2. CRIMP SPEC : 114-5052
3. STRESS RELIEVING FINISH IS SUBJECT TO CHANGE BY THE TYPE OF STRESS RELIVING PROCESS  
INERT GAS FURNACE - - - -MATTE  
ATOMOSPHERIC FURNACE FOLLOWED BY ACID PICKLE - - - -BRIGHT
4. ELIMINATION STRESS RELIVING PROCESS
5. PRODUCT SPECIFICATION: 108-5147
6. QUALIFICATION TEST REPORT: 501-5050

△ SEPARATE PAPER TYPE

1. 製品規格 : 108-5153, 108-5169
2. 取付適用規格 : 114-5052
3. ストレス除去処理  
処理方法により外観が変わります。  
不活性ガス加熱方式 - - - 無光沢  
大気加熱方式 - - - 光沢
4. ストレス除去処理をしない。
5. 製品規格 : 108-5147
6. 認定試験報告書 : 501-5050

OBSELETE	AMP AUSTRALIAN PRODUCT アンプ オーストラリア製	170256-3 OR EQUIVALENT TO 170256	W/O DIMPLE	TIN PLATING	BRASS	#-	179461-5	6-170032-5
		170030-1 OR EQUIVALENT TO 170030	W/O DIMPLE	△	BRASS	#-	//	6-170032-2
		170030-3 OR EQUIVALENT TO 170030	W/O DIMPLE	TIN PLATING 錫メッキ	ZKLF-5 #4	#-	//	170032-6
		170256-3 OR EQUIVALENT TO 170256	W/O DIMPLE	TIN PLATING 錫メッキ	BRASS	#-	179461-5	170032-5
		SKETCH, "A"	WITH DIMPLE	TIN PLATING 錫メッキ	BRASS	4.5	//	170032-4
OBSELETE		SKETCH "A" OR "B"	WITH DIMPLE	//	BRASS	3.8	//	170032-3
		170030-1 OR EQUIVALENT TO 170030	W/O DIMPLE	//	BRASS	#-	//	170032-2
		SKETCH, "A"	WITH DIMPLE	//	BRASS	4.5	//	170032-1
		MATING TAB	DIMPLE	FINISH	MATERIAL	"A"	LOOSE PIECE NUMBER	PART NUMBER

THIS DRAWING IS A CONTROLLED DOCUMENT.

DWN A.YAMAGUCHI 23JUN04  
CHK K.BETSUI 23JUN04  
APVD K.BETSUI 23JUN04

NAME 名称  
250 SERIES RECEPTACLE WITHOUT LATCH

PRODUCT SPEC 製品規格  
SEE NOTE

APPLICATION SPEC 取付適用規格

SIZE A3 CAGE CODE 00779 DRAWING NO. 番号 C-170032 RESTRICTED TO

WEIGHT -

SCALE 尺度 4:1 SHEET 1 OF 1 REV U2

WIRE RANGE 0.5-2.27mm<sup>2</sup>(AWG20-14)  
INSULATION DIA. 2.16~3.43mm∅

MATERIAL 材料 0.32 THK

FINISH 仕上 SEE TABLE △

TOLERANCES UNLESS OTHERWISE SPECIFIED: 一般公差 ±0.4  
∅ PLC ±  
1 PLC ±  
2 PLC ±  
3 PLC ±  
4 PLC ±  
ANGLES ±3'

CUSTOMER DRAWING