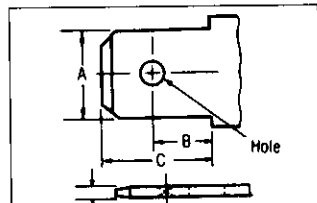


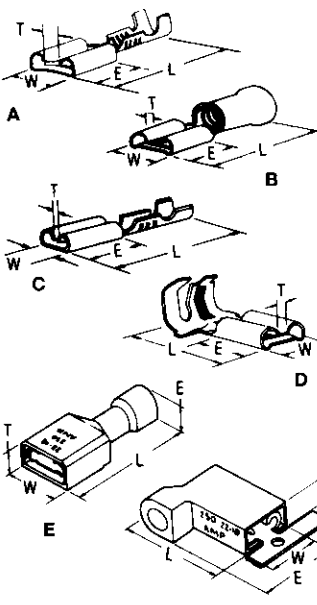
# Terminals and Splices

## FASTON Receptacles and Tabs

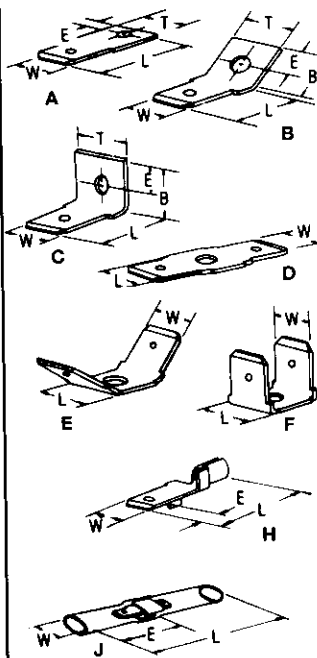
### Receptacles



Tab	A	B	C
187 Series	4.75	3.18	6.35
110 Series	2.79	5.54	7.11



### Tabs



### "187" Series Receptacles

Style	Wire Size		Wire Ins. Dia.	Fits Tab Thickness	Material /Finish	Dimensions				Part No.		Hand Tool No.
	AWG	mm <sup>2</sup>				W	L	E	T	S.T.	L.P.	
A	24-20	0.20~0.56	1.0~1.8	0.5	Brass/Tin	5.6	15.0	6.4	1.5	60573-1	—	—
			1.5~2.5							170214-2Δ	170203-2	724678-1
	20-16	0.50~1.42	2.3~3.3	0.5	Brass Brass/Tin	5.6	15.2	6.4	1.5	170037-1	—	755336-1
D	20-16	0.50~1.42	2.2~3.4	0.5	Phos.Brz./Tin	5.6	15.2	6.4	1.5	170466-1	170467-1	91584-1
										Brass Brass/Tin	170140-1	170141-1
E	22-18	0.30~0.89	3.4 Max.	0.5	Brass/Tin Nylon-Red Brass/Tin Nylon-Blue	7.6	21.7	5.1	4.5	2-520181-2	2-520182-2	90390-3*
			4.1 Max.					5.7	4.7	3-350815-2	3-350816-2	90391-3*
F	22-18	0.30~0.89	4.2 Max.	0.5	Brass/Tin Nylon-Red Brass/Tin Nylon-Blue	8.1	16.1	13.1	5.0	2-520334-2	2-520335-2	90390-3
			4.7 Max.							3-520338-2	3-520339-2	90391-3*

†No Preform. \*Die Insert Number for Hand Tool #58078-3.  
 ΔUL approval wire range AWG#22-20

### "110" Series Receptacles

C	24-20	0.20~0.56	2.0~2.8	0.5	Brass Brass/Tin	3.8	15.9	6.4	0.7	70043-1Δ	—	—
										170043-2Δ	170048-2†	58561-1
										Brass Brass/Tin	170056-1Δ	—
B	22-18	0.30~0.89	1.5~2.5	0.5	Brass Brass/Pre-Tin	3.8	16.1	6.4	0.6	42068-0	—	—
										Brass/Pre-Tin Nylon-Trsp.	42068-1	—
E	22-18	0.30~0.89	2.5 Max.	0.5	Brass/Pre-Tin Nylon-Trsp.	3.8	18.6	6.4	0.6	61059-1	61060-1	90185-1
										Brass/Tin Nylon-Red	2-520083-2	2-520084-2

†No Preform. \*Die Insert Number for Hand Tool #58078-1.  
 ΔUL approval wire range AWG#22

### "250" Series Tabs

Style	Hole Dia.	Stock Thickness	Material/Finish	Dimensions					Part No.
				B	W	L	E	T	
A	4.5	0.8	Brass/Tin	—	6.3	16.1	3.2	7.5	63038-2
B	3.3	0.8	Brass/Tin	7.6	6.3	10.2	4.3	7.5	42822-2
E	3.3	0.8	Brass/Tin	—	6.3	8.0	—	—	41478
F	3.3	0.8	Brass/Tin	—	6.3	8.0	—	—	41480
J	—	—	Plastic Tube Over Brass Tab	—	6.3	53.2	21.8	—	321235
					9.9	Max.	Min.		

### "187" Series Tabs

C	3.3	0.5	Brass/Tin	6.7	4.8	8.3	—	6.7	170001-3
F	3.3	0.5	Brass/Tin	—	4.8	6.7	—	—	170001-2