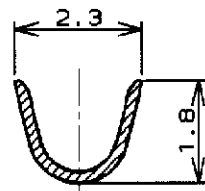
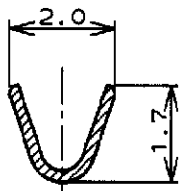
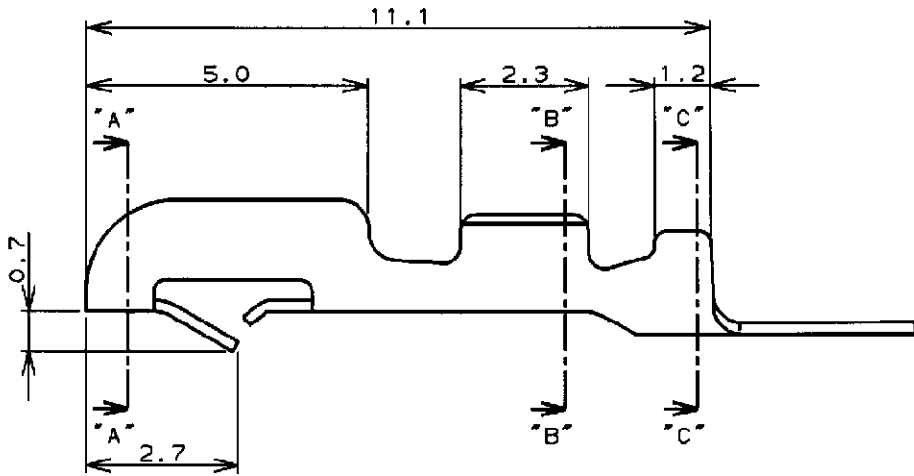
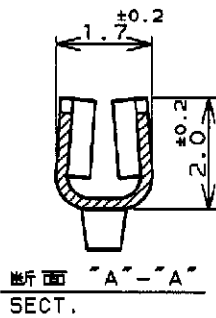
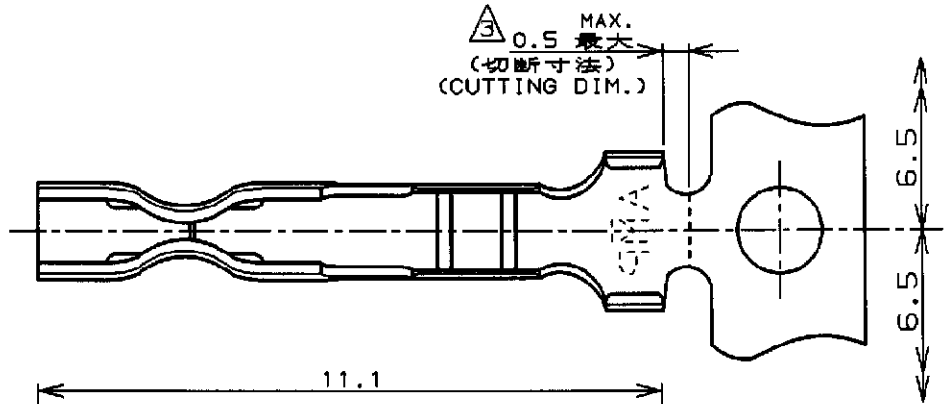


| LOC | DIST | REVISIONS | | | | | | |
|-----|------|-----------|-----|-------------|--------------|------------|-----|------|
| | | P | LTR | DESCRIPTION | ECN | DATE | DWN | APVD |
| J | --- | | | E REDRAWN | FJ00-1826-97 | 5. DEC '97 | H.H | |



NOTES:

- HOUSINGS, P/N: 171822 AND 171880 ARE USED.
- L/P CONTACT P/N: 170204-1.
- HAND TOOL P/N: 722560-1.

注記:

- 使用ハウジングは製品型番: 171822及び171880.
- L/P端子 製品型番: 170204-1.
- 適用手動工具 製品型番: 722560-1.

THIS DRAWING IS UNPUBLISHED. BY AMP INCORPORATED. ALL RIGHTS RESERVED.

| | |
|---|---------------------------------------|
| DIMENSIONS, 単位 純 mm | DWN <i>H. Washino</i> 5. DEC '97 |
| TOLERANCES UNLESS OTHERWISE SPECIFIED, 一般公差 | CHK <i>K. Washino</i> 8. DEC '97 |
| 10 ^μ : ±0.4 | APVD <i>S. Kubouchi</i> 8. DEC '97 |
| 30 ^μ : ±0.4 | PRODUCT SPEC 製品規格 |
| 100 ^μ : ±0.4 | 108-5118 |
| ANGLE : ±1°0' | APPLICATION SPEC 取付適用規格 |
| | 114-5035 |
| | WEIGHT --- |
| | CUSTOMER DRAWING |

| | | | |
|--|--------------------|--|--|
| WIRE RANGE 適合電線断面積 0.14~0.52mm ² (AWG26~20) | | INSULATION DIA 被覆外径 1.1~1.9mm | |
| MATERIAL BRASS 材料 0.2mm THICKNESS | | FINISH 仕上 PRE-TIN | |
| | | 日本アンプ株式会社 Kawasaki, Japan | |
| | | NAME 名称 コンタクト (AMP EI シリーズ コネクタ) CONTACT (AMP EI SERIES CONNECTOR) | |
| SIZE A | CAGE CODE 00779 | DRAWING NO 番号 C=170262-1 | |
| SCALE 尺度 8-1 | | SHEET 1 OF 1 | |
| | | REV E | |