

170360-1 Product Details

[Share](#) [Print](#) [Email](#)



170360-1

TE Internal Number: 170360-1
 Active

[View 3D PDF](#)

.163" Centerline, 600 V, 9.5 A max.

Always EU RoHS/ELV Compliant (Statement of Compliance)

Product Highlights:

- Mini-Universal MATE-N-LOK Product Line
- Wire-to-Wire
- Applies To Wire/Cable
- Contact
- Glow Wire Rating = Standard Part - Not Glow Wire

[View all Features](#)

Quick Links

- ▶ [Pricing & Availability](#)
- ▶ [Search for Tooling](#)
- ▶ [View Housings \(122\)](#)
- ▶ [Product Feature Selector](#)
- ▶ [Contact Us About This Product](#)

[Add to My Part List](#) | [Request Sample](#) | [Find Similar Products](#) | [Buy Product](#)

Documentation & Additional Information

Product Drawings:

- [MINI UNIVERSAL MATE-N-LOK PIN CONTACT](#) (PDF, English)

Catalog Pages/Data Sheets:

- None Available

Product Specifications:

- [Mini-Universal MATE-N-LOK Connector\(UL 94V-0 Grade\)](#) (PDF, English)
- [Mini-Universal MATE-N-LOK Connector\(UL 94V-2\)](#) (PDF, English)

Application Specifications:

- [Crimping of Mini-Universal MATE-N-LOK Contact](#) (PDF, Japanese)

Instruction Sheets:

- [MINI UNIVERSAL MATE-N-LOK CONNECTOR](#) (PDF, English)
- [Mini-Universal MATE-N-LOK Connector](#) (PDF, Japanese)

CAD Files: (CAD Format & Compression Information)

- [2D Drawing \(DXF, Version H\)](#)
- [3D Model \(IGES, Version H\)](#)
- [3D Model \(STEP, Version H\)](#)

[List all Documents](#)

Additional Information:

- [Product Line Information](#)

Related Products:

- [Tooling](#)
- [Housings \(122\)](#)

Product Features (Please use the Product Drawing for all design activity)

Product Type Features:

- Product Line = Mini-Universal MATE-N-LOK
- Product Type = Contact
- PCB Mount Retention = Without
- Sealed = No
- Wire/Cable Type = Discrete Wire
- UL File Number = E28476
- CSA File Number = LR 7189

Mechanical Attachment:

- Contact Retention = With
- Panel Mount Retention = Without

Electrical Characteristics:

- Contact - Rated Current (A) = 7
- Operating Voltage Reference = AC/DC
- Operating Voltage (VAC) = 600
- Operating Voltage (VDC) = 600

Termination Features:

- Wire/Cable Size (mm²) = 0.3 - 0.59
- Wire/Cable Size (AWG) = 18 - 22
- Termination Method to Wire/Cable = Crimp

Body Features:

- Used With = Plug or Cap Housing
- Mating Retention = Without
- Wire Type = Stranded
- Assembly Integration Feature = Without
- Contact Protection Type = Lance

Contact Features:

- Contact Type = Pin
- Contact Diameter (mm [in]) = 1.00 [0.0394]
- Contact Base Material = Brass
- Contact Plating, Mating Area, Material = Pre-Tin
- Shunts/Shorting Bars = Without
- Multiple Contact Types = Without

Housing Features:

- Mating Alignment = Without

Configuration Features:

- Strain Relief = Without

Industry Standards:

- [RoHS/ELV Compliance](#) = RoHS compliant, ELV compliant
- [Lead Free Solder Processes](#) = Not relevant for lead free process
- RoHS/ELV Compliance History = Always was RoHS compliant
- VDE Tested = Yes
- Agency/Standard = CSA, UL
- UL Rating = Recognized
- CSA Rating = Certified

Environmental:

- Operating Temperature (°C [°F]) = -20 - +105 [-4 - +221]

Conditions for Usage:

- Applies To = Wire/Cable
- Glow Wire Rating = Standard Part - Not Glow Wire
- Accepts Wire Insulation Diameter, Range (mm [in]) = 1.50 - 2.40 [0.059 - 0.0941], 3.40 [0.134]

Operation/Application:

- Application Use = Wire-to-Wire

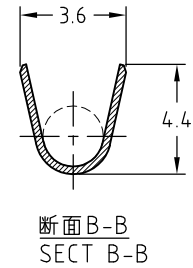
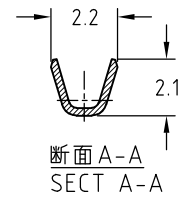
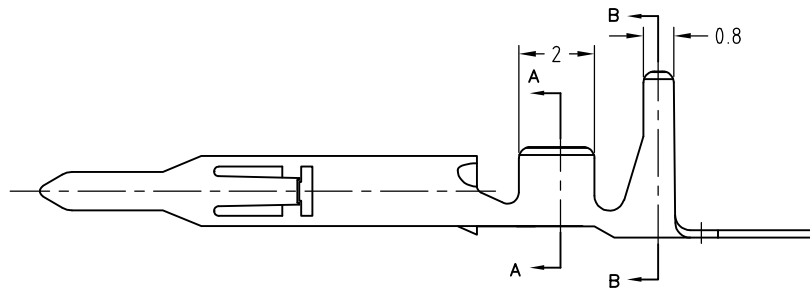
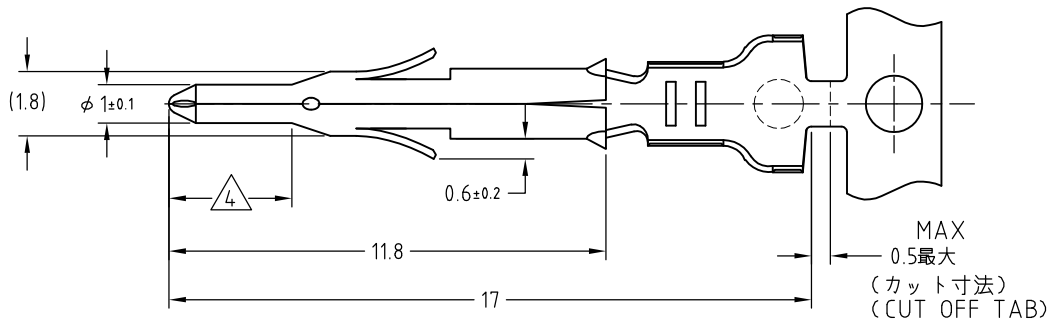
Packaging Features:

- Packaging Method = Reel
- Packaging Quantity = 4,000

Other:

- Brand = AMP

LOC J	DIST —	REVISIONS 変更			DATE	DWN	APVD
		P	LTR	DESCRIPTION			
			K1	REVISED PER ECO-11-005030	11MAR11	RK	HMR



注記

1. 使用ハウジングはキャップ及びプラグ
- △ 2本圧着の被覆外径は3.4mm最大
3. 取扱説明書：IS-105J
- △ 全面ニッケルメッキの上に0.76μm最小の金メッキを施す。

NOTES

1. APPLICABLE HOUSING : CAP AND PLUG.
- △ APPLICABLE INSULATION DIA METER FOR TWO-WIRE CRIMP IS 3.4mm MAX.
3. INSTRUCTION SHEET : IS-105J
- △ SELECTIVE GOLD PLATED AREA 0.76μm MIN THK OVER Ni PLATED.

170361,170362 170365,170366	170364-4	PRE TIN PHOS BRO 0.2t 錫めっき済磷青銅 0.2t	170360-4
	170364-3	BRASS 0.2t 黄銅 0.2t	170360-3
	170364-1	PRE TIN BRASS 0.2t 錫めっき済黄銅 0.2t	170360-1
かん合相手型番 MATING CON'T	ばら状端型番 LP.NO	材料 MATERIAL	型番 P/N

WIRE RANGE 絶合電線断面積	AWG#22~#18 0.30~0.59mm ²	INSULATION DIA 被覆外径	△ 1.5~2.4mm
-----------------------	--	------------------------	-------------

THIS DRAWING IS UNPUBLISHED.

RELEASED FOR PUBLICATION

ALL RIGHTS RESERVED.

COPYRIGHT - By -

DIMENSIONS: 単位：耗 mm	DWN J.SATO	18JAN2008	MATERIAL 材料	SEE TABLE	FINISH 仕上	
	CHK S.MANABE	18JAN2008	TE Connectivity			
TOLERANCES UNLESS OTHERWISE SPECIFIED: 一般公差	APVD S.MANABE	18JAN2008				
0 PLC ± ±0.3	PRODUCT SPEC 製品規格	MINI UNIVERSAL MATE-N-LOK PIN CONTACT				
1 PLC ±	108-5138					
2 PLC ±	APPLICATION SPEC 取付適用規格	SIZE CAGE CODE DRAWING NO 番号				
3 PLC ±	114-5050					
4 PLC ±	WEIGHT	A4 00779 C-170360				
ANGLES ±						
			CUSTOMER DRAWING		SCALE 尺度	4:1
					SHEET	1 OF 1
					REV	K1