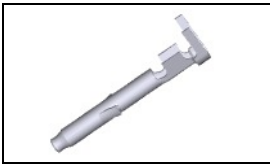


170362-3 Product Details

[Share](#) [Print](#) [Email](#)



170362-3

TE Internal Number: 170362-3
Active

[View 3D PDF](#)

.163" Centerline, 600 V, 9.5 A max.

Always EU RoHS/ELV Compliant (Statement of Compliance)

Product Highlights:

- Mini-Universal MATE-N-LOK Product Line
- Wire-to-Wire
- Applies To Wire/Cable
- Contact
- Glow Wire Rating = Standard Part - Not Glow Wire

[View all Features](#)

Quick Links

- ▶ [Pricing & Availability](#)
- ▶ [Search for Tooling](#)
- ▶ [View Housings \(122\)](#)
- ▶ [Product Feature Selector](#)
- ▶ [Contact Us About This Product](#)

[Add to My Part List](#) [Request Sample](#) [Find Similar Products](#) [Buy Product](#)

Documentation & Additional Information

Product Drawings:

- [MINI UHIVERSAL M-N-L SOCKET CONTACT](#) (PDF, English)

Catalog Pages/Data Sheets:

- None Available

Product Specifications:

- [Mini-Universal MATE-N-LOK Connector\(UL 94V-0 Grade\)](#) (PDF, English)
- [Mini-Universal MATE-N-LOK Connector\(UL 94V-2\)](#) (PDF, English)

Application Specifications:

- [Crimping of Mini-Universal MATE-N-LOK Contact](#) (PDF, Japanese)

Instruction Sheets:

- [Mini-Universal MATE-N-LOK Connector](#) (PDF, Japanese)

CAD Files: (CAD Format & Compression Information)

- [2D Drawing](#) (DXF, Version J)
- [3D Model](#) (IGES, Version J)
- [3D Model](#) (STEP, Version J)

[List all Documents](#)

Additional Information:

- [Product Line Information](#)

Related Products:

- [Tooling](#)
- [Housings \(122\)](#)

Product Features (Please use the Product Drawing for all design activity)

Product Type Features:

- Product Line = Mini-Universal MATE-N-LOK
- Product Type = Contact
- PCB Mount Retention = Without
- Sealed = No
- Wire/Cable Type = Discrete Wire
- UL File Number = E28476
- CSA File Number = LR 7189

Mechanical Attachment:

- Contact Retention = With
- Panel Mount Retention = Without

Electrical Characteristics:

- Contact - Rated Current (A) = 7
- Operating Voltage Reference = AC/DC
- Operating Voltage (VAC) = 600
- Operating Voltage (VDC) = 600

Termination Features:

- Wire/Cable Size (mm²) = 0.3 - 0.89
- Wire/Cable Size (AWG) = 18 - 22
- Termination Method to Wire/Cable = Crimp

Body Features:

- Used With = Plug Housing
- Mating Retention = Without
- Wire Type = Stranded
- Underplate Material Thickness (µm [µin]) = 1.27 [50.000]
- Assembly Integration Feature = Without
- Contact Protection Type = Lance

Housing Features:

- Mating Alignment = Without

Configuration Features:

- Strain Relief = Without

Industry Standards:

- [RoHS/ELV Compliance](#) = RoHS compliant, ELV compliant
- [Lead Free Solder Processes](#) = Not relevant for lead free process
- RoHS/ELV Compliance History = Always was RoHS compliant
- VDE Tested = Yes
- Agency/Standard = CSA, UL
- UL Rating = Recognized
- CSA Rating = Certified

Environmental:

- Operating Temperature (°C [°F]) = -20 - +105 [-4 - +221]

Conditions for Usage:

- Applies To = Wire/Cable
- Glow Wire Rating = Standard Part - Not Glow Wire
- Wire Size - Multiple Conductors = (2) 0.30-0.40² [(2) 22]
- Accepts Wire Insulation Diameter, Range (mm [in]) = 1.50 - 2.40 [0.059 - 0.0941], 3.40 [0.134]

Operation/Application:

- Application Use = Wire-to-Wire

Packaging Features:

- Packaging Method = Reel
- Packaging Quantity = 4,000

Contact Features:

- Contact Type = Socket
- Contact Diameter (mm [in]) = 1.80 [0.071]
- Contact Base Material = Brass
- Contact Plating, Mating Area, Material = Gold
- Contact Plating, Mating Area, Thickness (μm [μin]) = 0.76 [29.92]
- Shunts/Shorting Bars = Without
- Multiple Contact Types = Without
- Underplate Material = Nickel

Other:

- Brand = AMP

Corporate Information

- [About TE](#)
- [Investors](#)
- [News Room](#)
- [Supplier Portal](#)
- [Careers](#)
- [Terms & Conditions](#)
- [Privacy Policy](#)

Quick Links

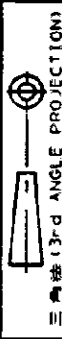
- [Distributor Inventory](#)
- [Product Cross Reference](#)
- [Documents & Drawings](#)
- [Product Compliance Support Center](#)
- [Site Map](#)

Customer Support

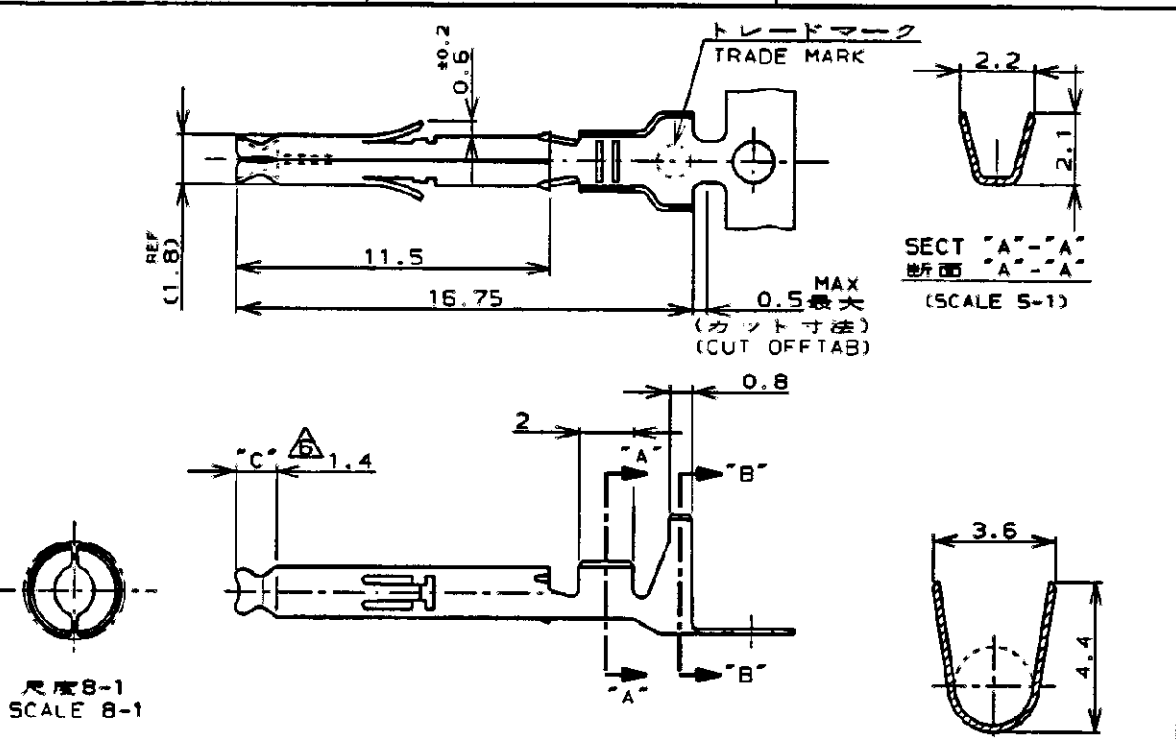
- [Email or Chat With Us](#)
- [Find a Phone Number](#)
- [Knowledge Base](#)
- [Manage Your Account](#)

Keep Me Informed

NUMBER C-170362
METRIC



単位・寸法 DIMENSIONS IN MM. DO NOT SCALE PRINT



NOTES:

1. APPLICABLE HOUSING : CAP AND PLUG.
- △ APPLICABLE INSULATION DIA METER FOR TWO-WIRE CRIMP IS 3.4mm MAX.
3. PRODUCT SPECIFICATION 108-513B
4. APPLICATION SPECIFICATION 114-5050
5. INSTRUCTION SHEET IS-105J
- △ SELECTIVE GOLD PLATED AREA "C" 0.76µm MIN THK OVER NI PLATED.

注記:

1. 使用ハウジングはキャップ及びプラグ
- △ 2本圧着の被覆外径は3.4mm最大
3. 適用製品規格書 108-513B
4. 適用圧着仕様書 114-5050
5. 取扱説明書 IS-105J
- △ 全面ニッケルめっき上の領域"C"に 0.76µm最少の金めっきを施す。

	錫めっき清め銅 PRE-TIN PHOZ BRO	-4	-4
	真銅 BRASS	-3	-3
170359, 170360 170363, 170364	錫めっき清め銅 PRE-TIN BRASS	170366-1	170362-1
適合相手 MATING P/N	材質・表面処理 MATERIAL FINISH	ばら状端子型番 LOOSE PIECE P/N	型番 (P/N)



TE Connectivity

一般公差 (GENERAL TOLERANCE): 10mm等: ±0.2 10mm以下, 30mm等: ±0.25 30mm以下, 100mm等: ±0.3 角: ±3°	適合電線許容積 (WIRE RANGE) 0.3- 0.89 mm ² (AWG#22-#18)	被覆外径 (INSULATION DIA.) △ 1.5-2.4 mm
材料 (MATERIAL) 表参照 SEE TABLE	仕上 (FINISH) 表参照 SEE TABLE	

PRINT DIST	J1 ECO-11-005030	RK IHMR	24MAR 11	尺度 (SCALE) 4-1	LOC A J	番号 (No.) C-170362	REV. J1	SHEET 1 OF 1
LTR	変更 (REVISION RECORD)	DR	CHK	DATE				
DR.	28 FEB 94 N. YAMASAKI	DE.	7 SEP 79 H. TANIGAWA	名称 (NAME) ミニユニバーサルメイテック ソケットコンタクト				
CHK.	28 FEB 94 M. SHINDO	APP.	4 MAR 94 Y. KASHIWA					

AMP-J010-1C
REV. 3/93

(CUSTOMER DRAWING) 参 考 図 面