



Have a Question?  
Chat with a Product Information Specialist

What can we help you find?

Products Industries Resources About TE My Account Innovation Support Center

## 170364-3 Product Details

Share Print Email



170364-3

TE Internal Number: 170364-3

Active

View 3D PDF

### .163" Centerline, 600 V, 9.5 A max.

Always EU RoHS/ELV Compliant (Statement of Compliance)

#### Product Highlights:

- Mini-Universal MATE-N-LOK Product Line
- Wire-to-Wire
- Applies To Wire/Cable
- Contact
- Glow Wire Rating = Standard Part - Not Glow Wire

View all Features

#### Quick Links

- ▶ Pricing & Availability
- ▶ Search for Tooling
- ▶ View Housings (122)
- ▶ Product Feature Selector
- ▶ Contact Us About This Product

[Add to My Part List](#) [Request Sample](#) [Find Similar Products](#) [Buy Product](#)

### Documentation & Additional Information

#### Product Drawings:

- [MINI UNIVERSAL MATE-N-LOK PIN CONTACT LOOSE PIECE](#) (PDF, English)

#### Catalog Pages/Data Sheets:

- None Available

#### Product Specifications:

- [Mini-Universal MATE-N-LOK Connector\(UL 94V-0 Grade\)](#) (PDF, English)
- [Mini-Universal MATE-N-LOK Connector\(UL 94V-2\)](#) (PDF, English)

#### Application Specifications:

- [Crimping of Mini-Universal MATE-N-LOK Contact](#) (PDF, Japanese)

#### Instruction Sheets:

- [Mini-Universal MATE-N-LOK Connector](#) (PDF, Japanese)

#### CAD Files: (CAD Format & Compression Information)

- [2D Drawing](#) (DXF, Version C)
- [3D Model](#) (IGES, Version C)
- [3D Model](#) (STEP, Version C)

[List all Documents](#)

#### Additional Information:

- [Product Line Information](#)

#### Related Products:

- [Tooling](#)
- [Housings \(122\)](#)

### Product Features (Please use the Product Drawing for all design activity)

#### Product Type Features:

- Product Line = Mini-Universal MATE-N-LOK
- Product Type = Contact
- Termination Method to Wire/Cable = Crimp
- PCB Mount Retention = Without
- Sealed = No
- Wire/Cable Type = Discrete Wire
- Strain Relief = Without
- UL File Number = E28476
- CSA File Number = LR 7189

#### Mechanical Attachment:

- Contact Retention = With
- Panel Mount Retention = Without

#### Electrical Characteristics:

- Contact - Rated Current (A) = 7
- Operating Voltage Reference = AC/DC
- Operating Voltage (VAC) = 600
- Operating Voltage (VDC) = 600

#### Termination Features:

- Wire/Cable Size (mm<sup>2</sup>) = 0.3 - 0.89
- Wire/Cable Size (AWG) = 18 - 22

#### Body Features:

- Used With = Plug or Cap Housing
- Mating Retention = Without
- Wire Type = Stranded
- Underplate Material Thickness (µm [µin]) = 1.27 [50.000]

#### Housing Features:

- Mating Alignment = Without

#### Industry Standards:

- [RoHS/ELV Compliance](#) = RoHS compliant, ELV compliant
- [Lead Free Solder Processes](#) = Not relevant for lead free process
- RoHS/ELV Compliance History = Always was RoHS compliant
- VDE Tested = Yes
- Agency/Standard = CSA, UL
- UL Rating = Recognized
- CSA Rating = Certified

#### Environmental:

- Operating Temperature (°C [°F]) = -20 - +105 [-4 - +221]

#### Conditions for Usage:

- Applies To = Wire/Cable
- Glow Wire Rating = Standard Part - Not Glow Wire
- Wire Size - Multiple Conductors = (2) 0.30-0.40<sup>2</sup> [(2) 22]
- Accepts Wire Insulation Diameter, Range (mm [in]) = 1.50 - 2.40 [0.059 - 0.0941], 3.40 [0.134]

#### Operation/Application:

- Application Use = Wire-to-Wire

#### Packaging Features:

- Packaging Method = Bag
- Packaging Quantity = 300

- Assembly Integration Feature = Without
- Contact Protection Type = Lance

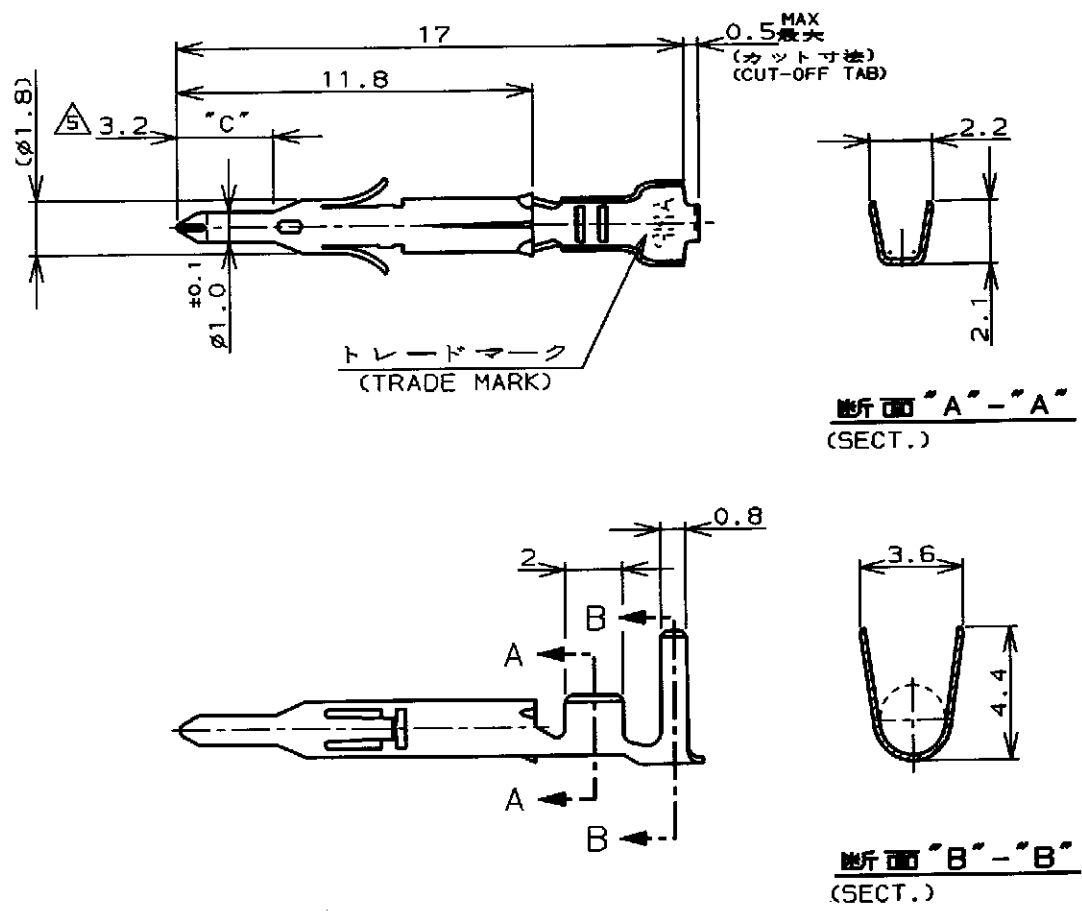
**Contact Features:**

- Contact Type = Pin
- Contact Diameter (mm [in]) = 1.00 [0.0394]
- Contact Base Material = Brass
- Contact Plating, Mating Area, Material = Gold
- Contact Plating, Mating Area, Thickness ( $\mu\text{m}$  [ $\mu\text{in}$ ]) = 0.76 [29.92]
- Shunts/Shorting Bars = Without
- Multiple Contact Types = Without
- Underplate Material = Nickel

**Other:**

- Brand = AMP

LOC		DIST		REVISIONS				DATE	DWN	APVD
J		P	LTR	DESCRIPTION	ECO					
			C1		REVISED PER ECO-11-005294		05APR11	RK	HMR	



- 注記; NOTES;
- 1. 使用ハウジングはキャップ及びプラグ 1. APPLICABLE HOUSING : CAP AND PLUG.
  - ② 製品規格 108-5138 ② PRODUCT SPECIFICATION 108-5138
  - ③ 取付適用規格 114-5050 ③ APPLICATION SPECIFICATION 114-5050
  - 4. 取扱い説明書 IS-105J 4. INSTRUCTION SHEET IS-105J
  - ⑤ 全面ニッケルめっき上の領域 "C" に ⑤ SELECTIVE GOLD PLATED AREA "C" 0.76 $\mu$ m 最小の金めっきを施す。 0.76 $\mu$ m MIN THK OVER NI PLATED.
  - ⑥ 2本圧着の被覆外径は、3.4mm 最大。 ⑥ DOUBLE CRIMPING INSURATION DIA 3.4mm MAX.

	錫めつき付・燐青銅 (PRE-TIN・PHOS BRO)	-4	-4
	金めつき・黄銅 ⑤ (GOLD PLATE・BRASS)	-3	-3
170361, 170362 170365, 170366	錫めつき付・黄銅 (PRE-TIN・BRASS)	170360-1	170364-1
嵌合相手型番 (MATING P/N)	材料・仕上 (MATERIAL・FINISH)	連鎖状端子型番 (STRIP P/N)	型番 (P/N)

WIRE RANGE 包含電線断面積 0.30~0.89mm <sup>2</sup> (AWG #22~#18)	INSULATION DIA 被覆外径 ⑥ 1.5~2.4mm
MATERIAL 表参照 (SEE TABLE) 0.2t	FINISH 表参照 (SEE TABLE)

THIS DRAWING IS UNPUBLISHED. BY COPYRIGHT

DIMENSIONS: 単位 概 mm

TOLERANCES UNLESS OTHERWISE SPECIFIED: 一般公差  $\pm 0.4, \pm 1^{\circ}0'$

DWN 7. Yamamoto 11 JUN 98

CHK M. Glue 15 JUN 98

APVD M. Glue 15 JUN 98

PRODUCT SPEC 製品規格 注記参照 (SEE NOTES) ②

APPLICATION SPEC 取付適用規格 注記参照 (SEE NOTES) ③

WEIGHT //

CUSTOMER DRAWING

**STE** TE Connectivity

NAME 名称  
ミニユニバーサルメイトンロックピンコンタクトばら状端子  
MINI UNIVERSAL MATE-N-LOK PIN CONTACT LOOSE PIECE

SIZE A4 CAGE CODE 00779 DRAWING NO. 番号 C-170364

SCALE 尺度 // SHEET 1 OF 1 REV C1