

THIS DRAWING IS UNPUBLISHED. RELEASED FOR PUBLICATION
 © COPYRIGHT BY TYCO ELECTRONICS CORPORATION. ALL RIGHTS RESERVED.

LOC	DIST	REVISIONS					
J	—	P	LTR	DESCRIPTION	DATE	DWN	APVD
		E4		REVISED FJ00-2020-02	11OCT02	AY	KB

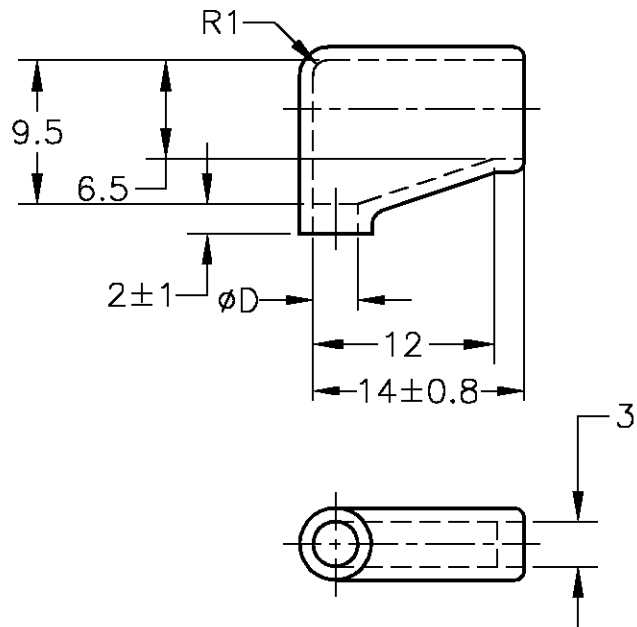
	215032-1	2-170823-9	SEE 7 OF 13
	246225	2-170823-8	SEE 2 OF 13
	238035-3	2-170823-7	SEE 10 OF 13
OBSOLETE	235818	2-170823-5	SEE 12 OF 13
	234018-4	2-170823-4	SEE 13 OF 13
OBSOLETE	234025-1	2-170823-3	
	234030-1	2-170823-2	
	230032-1	2-170823-1	SEE 9 OF 13
	238035-2	2-170823-0	SEE 10 OF 13
	238035-1	1-170823-9	
	238032-1	1-170823-8	
	238020-1	1-170823-7	
	238038	1-170823-6	
	238035	1-170823-5	SEE 12 OF 13
	235825-1	1-170823-4	
	235822	1-170823-3	
	234018-2	1-170823-2	SEE 13 OF 13
	234018-1	1-170823-1	
	234030	1-170823-0	
	234018	170823-9	SEE 10 OF 13
	234016	170823-8	
	238060	170823-7	
	238048	170823-6	
	238032	170823-4	SEE 10 OF 13
	238020	170823-3	
	238025	170823-2	
	234025	170823-1	SEE 13 OF 13
	SHINAGAWA SHOKO PN	AMP PN	REMARK

	24623204	5-170823-8	SEE 2 OF 13
	248550	5-170823-7	SEE 3 OF 13
	246230	5-170823-6	SEE 2 OF 13
	234025-4	5-170823-4	SEE 13 OF 13
OBSOLETE	234028	5-170823-3	
OBSOLETE	224222	5-170823-1	SEE 8 OF 13
	246232-1	5-170823-0	SEE 2 OF 13
OBSOLETE	238040	4-170823-9	SEE 10 OF 13
OBSOLETE	238025-2	4-170823-8	
OBSOLETE	238025-1	4-170823-7	
	234025-3	4-170823-6	SEE 13 OF 13
OBSOLETE	234025-2	4-170823-5	
OBSOLETE	248525	4-170823-4	SEE 3 OF 13
	215025W	4-170823-3	SEE 6 OF 13
OBSOLETE	236525W	4-170823-2	SEE 5 OF 13
	236525	4-170823-1	SEE 11 OF 13
OBSOLETE	234025W	4-170823-0	SEE 5 OF 13
	246232	3-170823-8	SEE 2 OF 13
OBSOLETE	230025W	3-170823-7	SEE 4 OF 13
OBSOLETE	238025W	3-170823-6	SEE 5 OF 13
	215028	3-170823-5	SEE 7 OF 13
	224228	3-170823-4	SEE 8 OF 13
	215032W	3-170823-3	SEE 6 OF 13
OBSOLETE	238032-3	3-170823-2	SEE 10 OF 13
OBSOLETE	238032-2	3-170823-1	
	SHINAGAWA SHOKO PN	AMP PN	REMARK

X-170892-X	SEE 170892
X-170893-X	SEE 170893
X-170887-X	SEE 170887
X-170889-X	SEE 170889
X-170888-X	SEE 170888
X-170890-X	SEE 170890
X-170891-X	SEE 170891
AMP PN	REMARK

THIS DRAWING IS A CONTROLLED DOCUMENT.		DWN A. YAMAGUCHI 31AUG00	tyco Electronics	Tyco Electronics AMP K.K. Kawasaki, Japan	
DIMENSIONS: 単位: 概 MM		CHK D. MATSUURA 31AUG00		NAME 名称	
TOLERANCES UNLESS OTHERWISE SPECIFIED: 一般公差		APVD K. BETSUI 31AUG00	PRODUCT SPEC 製品規格		
0 PLC ± - 1 PLC ± - 2 PLC ± - 3 PLC ± - 4 PLC ± - ANGLES ± -		APPLICATION SPEC 取付適用規格		DRAWING NO 番号	
MATERIAL 材料	FINISH 仕上	WEIGHT	SIZE A3	CAGE CODE 00779	RESTRICTED TO —
CUSTOMER DRAWING			SCALE 尺度 1:1		SHEET 1 OF 13
			REV E4		

LOC	DIST	REVISIONS					
J	-	P	LTR	DESCRIPTION	DATE	DWN	APVD
		E4		SEE 1 OF 13	-	-	-



1. 材質：SS-108（一般）
2. UL規格承認：E55167
3. 一般公差：±0.5
4. 適用製品規格は無し
- △ 品川商工発行のカタログと本図で寸法が異なる場合は本図を優先する。
6. この製品の名称は旗型コネクタスリーブ187シリーズ

1. MATERIAL:SS-108(GENERAL)
2. UL SPEC APPROVAL : E55167
3. GENERAL TOLERANCE : ±0.5
4. APPLICABLE PRODUCT SPEC NOT AVAILABLE
- △ IN THE EVENT OF CONFLICT BETWEEN THE REQUIREMENTS OF THIS CUSTOMER DRAWING AND THE SHINAGAWA SHOKO CO LTD CATALOG THIS CUSTOMER DRAWING SHALL TAKE PRECEDENCE
6. THIS PRODUCT NAME FLAG TYPE CONNECT SLEEVE FOR 187 SERIES

BLACK	0.9±0.3	3.2	24623204	5-170823-8
CLEAR	0.9±0.3	3	246230	5-170823-6
		3.2	246232-1	5-170823-0
		3.2	246232	3-170823-8
		2.5	246225	2-170823-8
COLOR	THICKNESS	φD	△ SHINAGAWA SHOKO PN	AMP PN

RELEASED FOR PUBLICATION

ALL RIGHTS RESERVED.

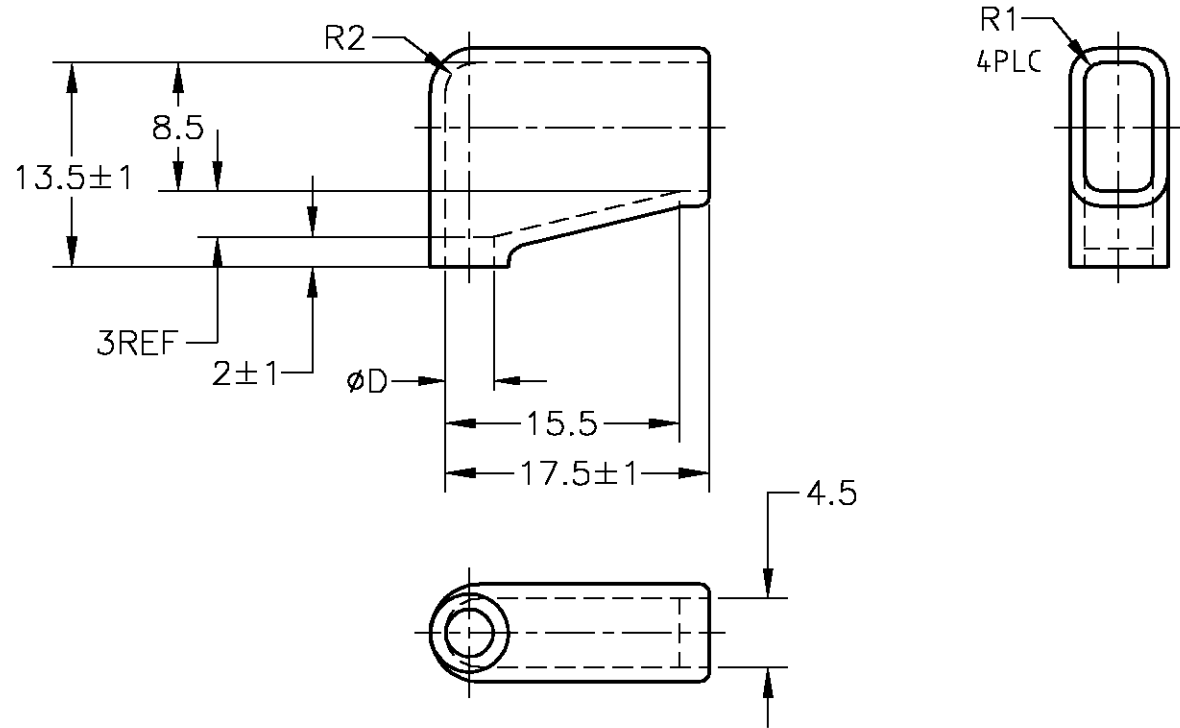
THIS DRAWING IS UNPUBLISHED.

BY TYCO ELECTRONICS CORPORATION.

COPYRIGHT

DIMENSIONS: 単位：特 MM	DWN	31AUG00	MATERIAL	FINISH	
	A. YAMAGUCHI		材料	仕上	
TOLERANCES UNLESS OTHERWISE SPECIFIED: 一般公差	CHK	31AUG00	Tyco Electronics AMP K.K. Kawasaki, Japan		
	D. MATSUURA				
0 PLC ± - 1 PLC ± - 2 PLC ± - 3 PLC ± - 4 PLC ± - ANGLES ± -	APVD	31AUG00	NAME		
	K. BETSUI		INSULATION SLEEVE		
	PRODUCT SPEC		SIZE	CAGE CODE	DRAWING NO
	製品規格		A4	00779	C-170823
APPLICATION SPEC		RESTRICTED TO			
取付適用規格					
WEIGHT		SCALE			
		尺度 2:1			
CUSTOMER DRAWING		SHEET	2	OF 13	
		REV	E4		

LOC	DIST	REVISIONS					
J	-	P	LTR	DESCRIPTION	DATE	DWN	APVD
		E4		SEE 1 OF 13	-	-	-



1. 材質：SS-108（一般）
2. UL規格承認：E55167
3. 一般公差：±0.5
4. 適用製品規格は無し
- △ 品川商工発行のカタログと本図で寸法が異なる場合は本図を優先する。
6. この製品の名称は旗型コネクタスリーブ250シリーズ

1. MATERIAL:SS-108(GENERAL)
2. UL SPEC APPROVAL: E55167
3. GENERAL TOLERANCE: ±0.5
4. APPLICABLE PRODUCT SPEC NOT AVAILABLE
- △ IN THE EVENT OF CONFLICT BETWEEN THE REQUIREMENTS OF THIS CUSTOMER DRAWING AND THE SHINAGAWA SHOKO CO LTD CATALOG THIS CUSTOMER DRAWING SHALL TAKE PRECEDENCE
6. THIS PRODUCT NAME FLAG TYPE CONNECT SLEEVE FOR 250 SERIES

OBSOLETE	CLEAR	1±0.3	5	248550	5-170823-7
			2.5	248525	4-170823-4
	COLOR	THICKNESS	φD	△ SHINAGAWA SHOKO PN	AMP PN

DIMENSIONS: 単位：特 MM	DWN	31AUG00	MATERIAL	FINISH
	A. YAMAGUCHI		材料	仕上
TOLERANCES UNLESS OTHERWISE SPECIFIED: 一般公差	CHK	31AUG00	Tyco Electronics AMP K.K. Kawasaki, Japan	
	D. MATSUURA			
0 PLC ± - 1 PLC ± - 2 PLC ± - 3 PLC ± - 4 PLC ± - ANGLES ± -	APVD	31AUG00	NAME	
	K. BETSUI		INSULATION SLEEVE	
	PRODUCT SPEC		SIZE	CAGE CODE
	製品規格		A4	00779
	APPLICATION SPEC		DRAWING NO	RESTRICTED TO
	取付適用規格		C-170823	-
	WEIGHT		SCALE	SHEET
			尺度 2:1	3 OF 13
	CUSTOMER DRAWING		REV	E4

RELEASED FOR PUBLICATION

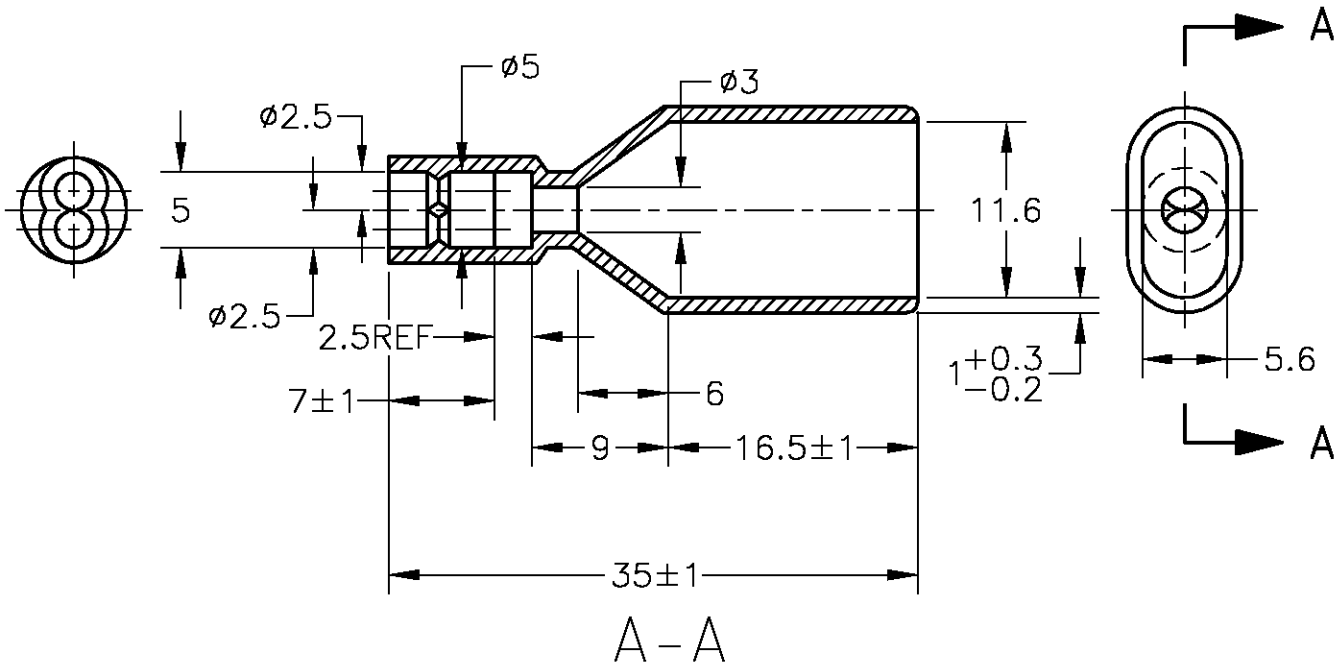
THIS DRAWING IS UNPUBLISHED.

ALL RIGHTS RESERVED.

BY TYCO ELECTRONICS CORPORATION.

COPYRIGHT

LOC	DIST	REVISIONS			DATE	DWN	APVD
J	-	P	LTR	DESCRIPTION			
		E4		SEE 1 OF 13	-	-	-



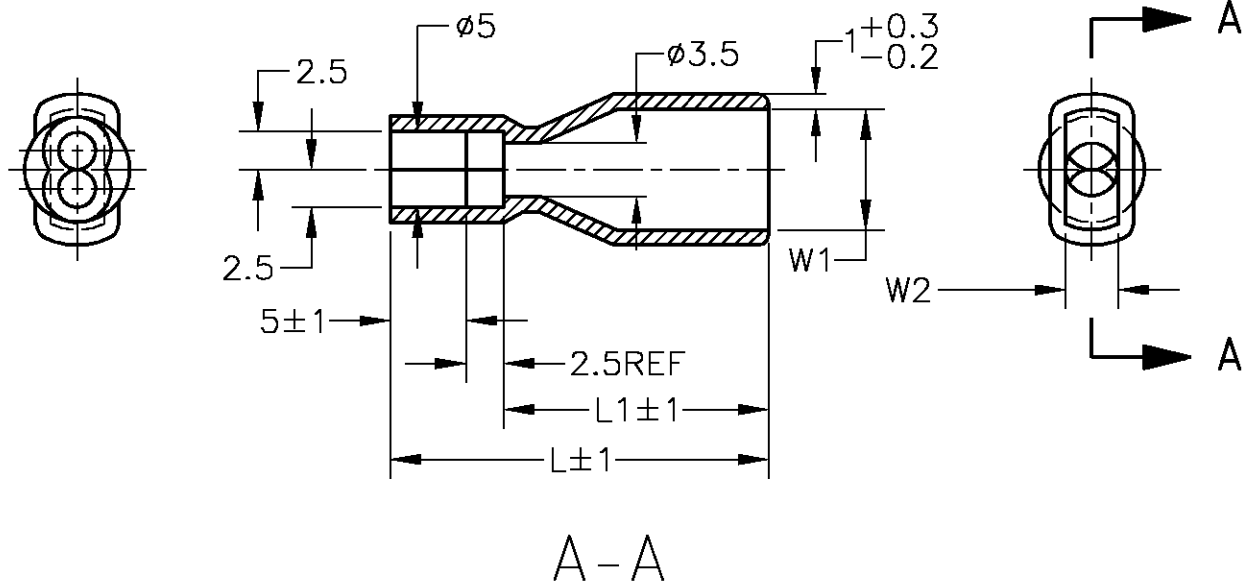
1. 材質：SS-108（一般）
2. 一般公差：±0.5
3. 適用製品規格は無し
- △ 品川商工発行のカタログと本図で寸法が異なる場合は本図を優先する。
5. この製品の名称はコネクタスリーブAMP00シリーズ

1. MATERIAL:SS-108(GENERAL)
2. GENERAL TOLERANCE: ±0.5
3. APPLICABLE PRODUCT SPEC NOT AVAILABLE
- △ IN THE EVENT OF CONFLICT BETWEEN THE REQUIREMENTS OF THIS CUSTOMER DRAWING AND THE SHINAGAWA SHOKO CO LTD CATALOG THIS CUSTOMER DRAWING SHALL TAKE PRECEDENCE
5. THIS PRODUCT NAME FLAG TYPE CONNECT SLEEVE AMP00 SERIES

OBSOLETE	CLEAR	230025W	3-170823-7
	COLOR	△ SHINAGAWA SHOKO PN	AMP PN

DIMENSIONS: 単位：特 MM	DWN	31AUG00	MATERIAL	FINISH
	A. YAMAGUCHI		材料	仕上
TOLERANCES UNLESS OTHERWISE SPECIFIED: 一般公差	CHK	31AUG00	Tyco Electronics AMP K.K. Kawasaki, Japan	
	D. MATSUURA			
0 PLC ± - 1 PLC ± - 2 PLC ± - 3 PLC ± - 4 PLC ± - ANGLES ± -	APVD	31AUG00	NAME	
	K. BETSUI		INSULATION SLEEVE	
CUSTOMER DRAWING	PRODUCT SPEC		SIZE	CAGE CODE
	製品規格		A4	00779
WEIGHT	APPLICATION SPEC		DRAWING NO	RESTRICTED TO
	取付適用規格		C-170823	-
SCALE			SHEET	REV
尺度 2:1			4 OF 13	E4

LOC	DIST	REVISIONS					
J	-	P	LTR	DESCRIPTION	DATE	DWN	APVD
		E4		SEE 1 OF 13	-	-	-



1. 材質：SS-108（一般）
2. 一般公差：±0.5
3. 適用製品規格は無し
- △ 品川商工発行のカタログと本図で寸法が異なる場合は本図を優先する。
5. この製品の名称はコネクタスリーブ AMP00シリーズ

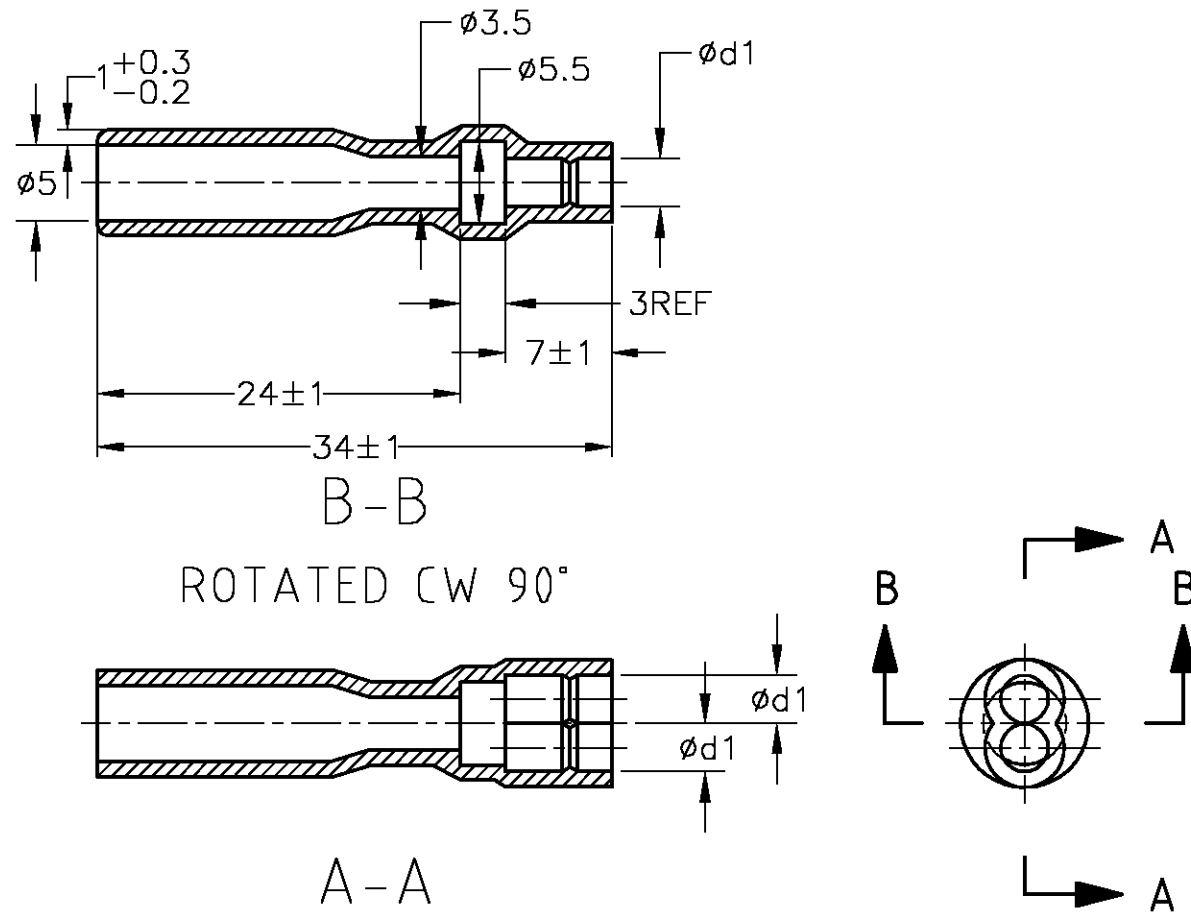
1. MATERIAL:SS-108(GENERAL)
2. GENERAL TOLERANCE: ±0.5
3. APPLICABLE PRODUCT SPEC NOT AVAILABLE
- △ IN THE EVENT OF CONFLICT BETWEEN THE REQUIREMENTS OF THIS CUSTOMER DRAWING AND THE SHINAGAWA SHOKO CO LTD CATALOG THIS CUSTOMER DRAWING SHALL TAKE PRECEDENCE
5. THIS PRODUCT NAME FLAG TYPE CONNECT SLEEVE AMP00 SERIES

OBSOLETE		23	15.5	3	6.5	236525W	4-170823-2
OBSOLETE	CLEAR	21	13.5		4	234025W	4-170823-0
OBSOLETE		25	17.5	3.5	8	238025W	3-170823-6
	COLOR	L	L1	W2	W1	△ SHINAGAWA SHOKO PN	AMP PN

THIS DRAWING IS UNPUBLISHED. BY TYCO ELECTRONICS CORPORATION. ALL RIGHTS RESERVED.

DIMENSIONS: 単位：特 MM	DWN	31AUG00	MATERIAL	FINISH		
	A. YAMAGUCHI		材料	仕上		
TOLERANCES UNLESS OTHERWISE SPECIFIED: 一般公差	CHK	31AUG00	Tyco Electronics AMP K.K. Kawasaki, Japan			
	D. MATSUURA					
0 PLC ± - 1 PLC ± - 2 PLC ± - 3 PLC ± - 4 PLC ± - ANGLES ± -	APVD	31AUG00	NAME			
	K. BETSUI		INSULATION SLEEVE			
PRODUCT SPEC 製品規格	APPLICATION SPEC 取付適用規格		SIZE	CAGE CODE	DRAWING NO	RESTRICTED TO
	WEIGHT		A4	00779	C-170823	-
CUSTOMER DRAWING			SCALE	SHEET	REV	
			尺度	5 OF 13	E4	

LOC	DIST	REVISIONS					
J	-	P	LTR	DESCRIPTION	DATE	DWN	APVD
		E4	SEE 1 OF 13		-	-	-



1. 材質：SS-108（一般）
 2. 一般公差：±0.5
 3. 適用製品規格は無し
 - △ 品川商工発行のカタログと本図で寸法が異なる場合は本図を優先する。
 5. この製品の名称はコネクタスリーブ 5DIAシリーズシュワープラグ リセプタクル
1. MATERIAL:SS-108(GENERAL)
 2. GENERAL TOLERANCE: ±0.5
 3. APPLICABLE PRODUCT SPEC NOT AVAILABLE
 - △ IN THE EVENT OF CONFLICT BETWEEN THE REQUIREMENTS OF THIS CUSTOMER DRAWING AND THE SHINAGAWA SHOKO CO LTD CATALOG THIS CUSTOMER DRAWING SHALL TAKE PRECEDENCE
 5. THIS PRODUCT NAME : CONNECT SLEEVE 5DIA SERIES SHUR PLUG RECEPTACLE

CLEAR	2.5	215025W	4-170823-3
	3.2	215032W	3-170823-3
COLOR	φ d1	△ SHINAGAWA SHOKO PN	AMP PN

RELEASED FOR PUBLICATION

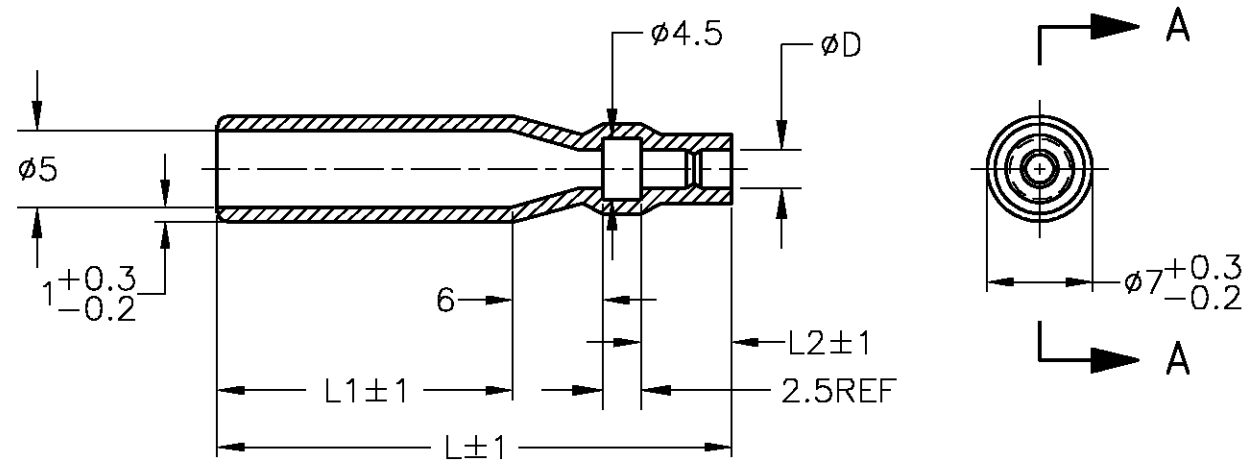
ALL RIGHTS RESERVED.

THIS DRAWING IS UNPUBLISHED.

COPYRIGHT BY TYCO ELECTRONICS CORPORATION.

DIMENSIONS: 単位：特 MM	DWN	31AUG00	MATERIAL	FINISH
	A. YAMAGUCHI		材料	仕上
TOLERANCES UNLESS OTHERWISE SPECIFIED: 一般公差	CHK	31AUG00	tyco Tyco Electronics AMP K.K. Electronics Kawasaki, Japan	
	D. MATSUURA			
0 PLC ± - 1 PLC ± - 2 PLC ± - 3 PLC ± - 4 PLC ± - ANGLES ± -	APVD	31AUG00	NAME	
	K. BETSUI		INSULATION SLEEVE	
PRODUCT SPEC 製品規格	APPLICATION SPEC 取付適用規格		SIZE	CAGE CODE
			A4	00779
WEIGHT		DRAWING NO	RESTRICTED TO	
		番号	-	
CUSTOMER DRAWING		SCALE	SHEET	REV
		尺度 2:1	6 OF 13	E4

LOC	DIST	REVISIONS 変更					
J	-	P	LTR	DESCRIPTION	DATE	DWN	APVD
		E4		SEE 1 OF 13	-	-	-



A-A

1. 材質：SS-108（一般）
2. 一般公差：±0.5
3. 適用製品規格は無し
- △ 品川商工発行のカタログと本図で寸法が異なる場合は本図を優先する。
5. この製品の名称はコネクタスリーブ 5DIA シリーズ シューフプラグリセプタクル

1. MATERIAL:SS-108(GENERAL)
2. GENERAL TOLERANCE: ±0.5
3. APPLICABLE PRODUCT SPEC NOT AVAILABLE
- △ IN THE EVENT OF CONFLICT BETWEEN THE REQUIREMENTS OF THIS CUSTOMER DRAWING AND THE SHINAGAWA SHOKO CO LTD CATALOG THIS CUSTOMER DRAWING SHALL TAKE PRECEDENCE
5. THIS PRODUCT NAME FLAG TYPE CONNECT SLEEVE 5DIA SERIES SHUR PLUG RECEPTACLE

CLEAR	33	6	18.5	2.8	215028	3-170823-5
	47	7	31.5	3.2	215032-1	2-170823-9
COLOR	L	L2	L1	φD	△ SHINAGAWA SHOKO PN	AMP PN

RELEASED FOR PUBLICATION

ALL RIGHTS RESERVED.

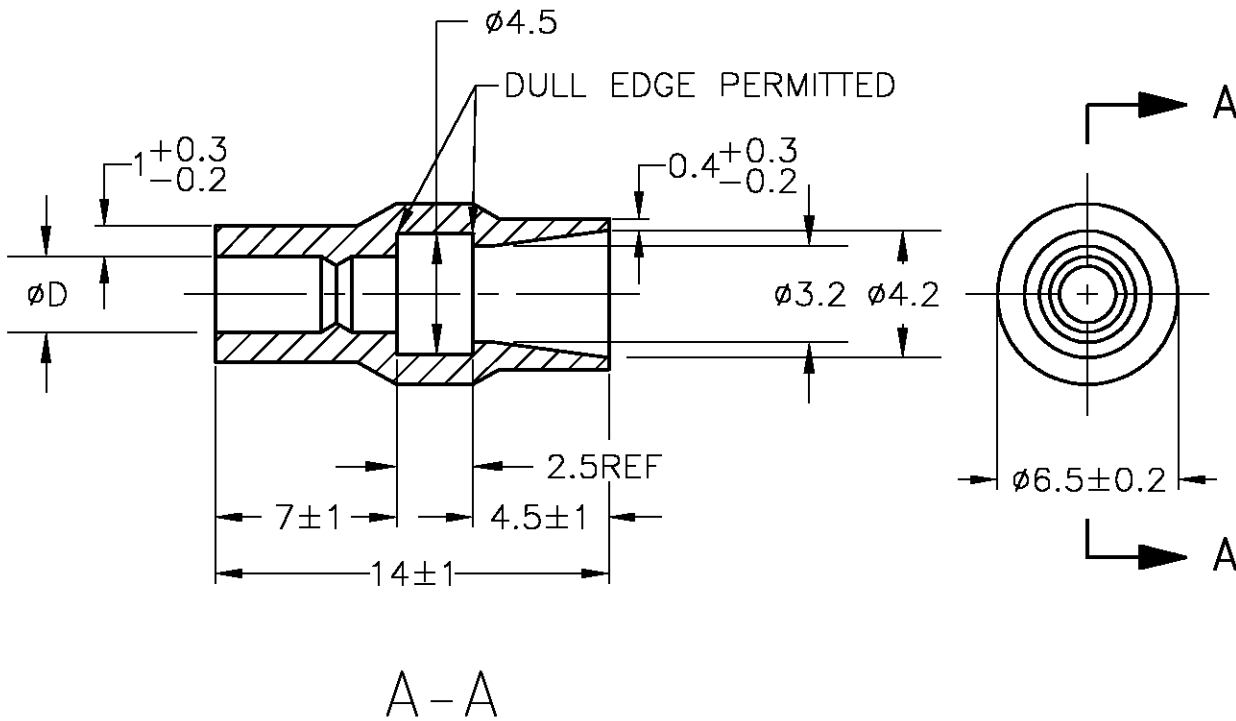
BY TYCO ELECTRONICS CORPORATION.

THIS DRAWING IS UNPUBLISHED.

COPYRIGHT

DIMENSIONS: 単位：特 MM	DWN	31AUG00	MATERIAL	FINISH
	A. YAMAGUCHI		材料	仕上
TOLERANCES UNLESS OTHERWISE SPECIFIED: 一般公差	CHK	31AUG00	Tyco Electronics AMP K.K. Kawasaki, Japan	
	D. MATSUURA			
0 PLC ± - 1 PLC ± - 2 PLC ± - 3 PLC ± - 4 PLC ± - ANGLES ± -	APVD	31AUG00	NAME	
	K. BETSUI		INSULATION SLEEVE	
CUSTOMER DRAWING	PRODUCT SPEC	SIZE		CAGE CODE
	製品規格	A4		00779
WEIGHT	APPLICATION SPEC	DRAWING NO		RESTRICTED TO
	取付適用規格	C-170823		-
SCALE		SHEET	OF	REV
2:1		7	13	E4

LOC	DIST	REVISIONS					
J	-	P	LTR	DESCRIPTION	DATE	DWN	APVD
		E4		SEE 1 OF 13	-	-	-



1. 材質：SS-108（一般）
2. 一般公差：±0.5
3. 適用製品規格は無し
- △ 品川商工発行のカタログと本図で寸法が異なる場合は本図を優先する。
5. この製品の名称はコネクタスリーブ 5DIAシリーズシュフープラグ

1. MATERIAL:SS-108(GENERAL)
2. GENERAL TOLERANCE: ±0.5
3. APPLICABLE PRODUCT SPEC NOT AVAILABLE
- △ IN THE EVENT OF CONFLICT BETWEEN THE REQUIREMENTS OF THIS CUSTOMER DRAWING AND THE SHINAGAWA SHOKO CO LTD CATALOG THIS CUSTOMER DRAWING SHALL TAKE PRECEDENCE
5. THIS PRODUCT NAME CONNECT SLEEVE 5DIA SERIES SHUR PLUG

OBSOLETE	CLEAR	2.2	224222	5-170823-1
		2.8	224228	3-170823-4
	COLOR	φ D	△ SHINAGAWA SHOKO PN	AMP PN

RELEASED FOR PUBLICATION

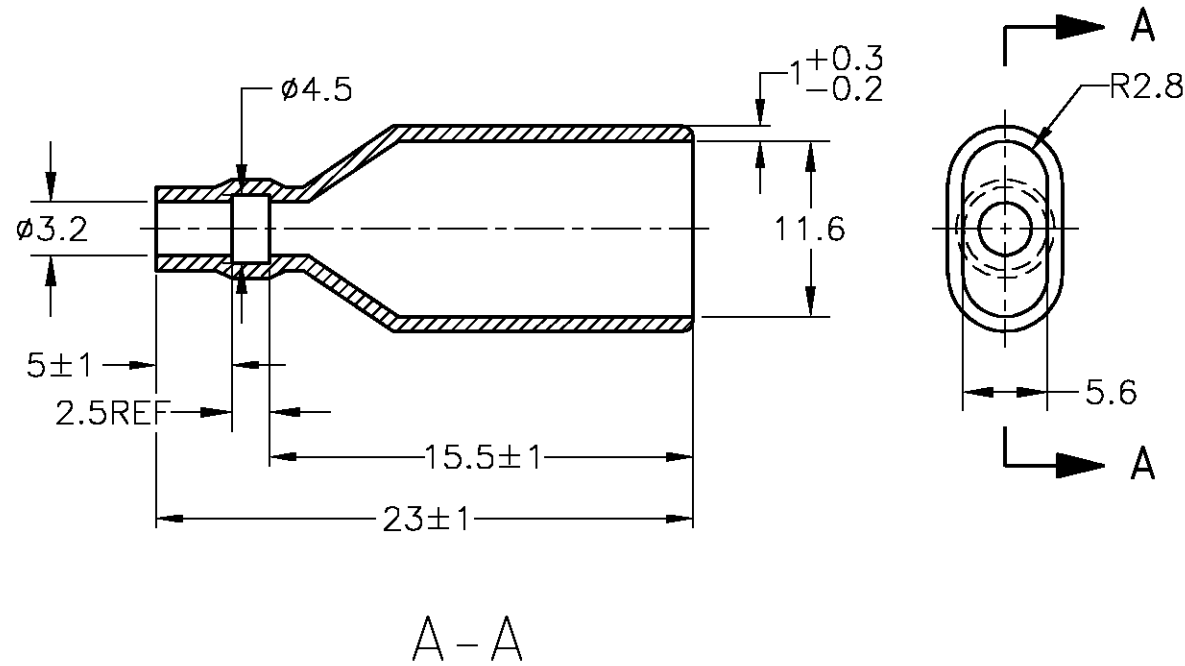
ALL RIGHTS RESERVED.

THIS DRAWING IS UNPUBLISHED.

COPYRIGHT © BY TYCO ELECTRONICS CORPORATION.

DIMENSIONS: 単位：特 MM	DWN	31AUG00	MATERIAL	FINISH
	A. YAMAGUCHI		-	仕上 -
TOLERANCES UNLESS OTHERWISE SPECIFIED: 一般公差	CHK	31AUG00	Tyco Electronics AMP K.K. Kawasaki, Japan	
	D. MATSUURA			
0 PLC ± - 1 PLC ± - 2 PLC ± - 3 PLC ± - 4 PLC ± - ANGLES ± -	APVD	31AUG00	NAME	
	K. BETSUI		INSULATION SLEEVE	
	PRODUCT SPEC		SIZE	CAGE CODE
	製品規格		A4	00779
	APPLICATION SPEC		DRAWING NO	RESTRICTED TO
	取付適用規格		C-170823	-
	WEIGHT		SCALE	SHEET
			尺度 4:1	8 OF 13
CUSTOMER DRAWING			REV	E4

LOC	DIST	REVISIONS			DATE	DWN	APVD
J	-	P	LTR	DESCRIPTION			
		E4		SEE 1 OF 13	-	-	-



1. 材質：SS-108（一般）
2. 一般公差：±0.5
3. 適用製品規格は無し
- △ 品川商工発行のカタログと本図で寸法が異なる場合は本図を優先する。
5. この製品の名称はコネクタスリーブAMP00シリーズ

1. MATERIAL:SS-108(GENERAL)
2. GENERAL TOLERANCE: ±0.5
3. APPLICABLE PRODUCT SPEC NOT AVAILABLE
- △ IN THE EVENT OF CONFLICT BETWEEN THE REQUIREMENTS OF THIS CUSTOMER DRAWING AND THE SHINAGAWA SHOKO CO LTD CATALOG THIS CUSTOMER DRAWING SHALL TAKE PRECEDENCE
5. THIS PRODUCT NAME FLAG TYPE CONNECT SLEEVE AMP00 SERIES

CLEAR	230032-1	2-170823-1
COLOR	△ SHINAGAWA SHOKO PN	AMP PN

RELEASED FOR PUBLICATION

ALL RIGHTS RESERVED.

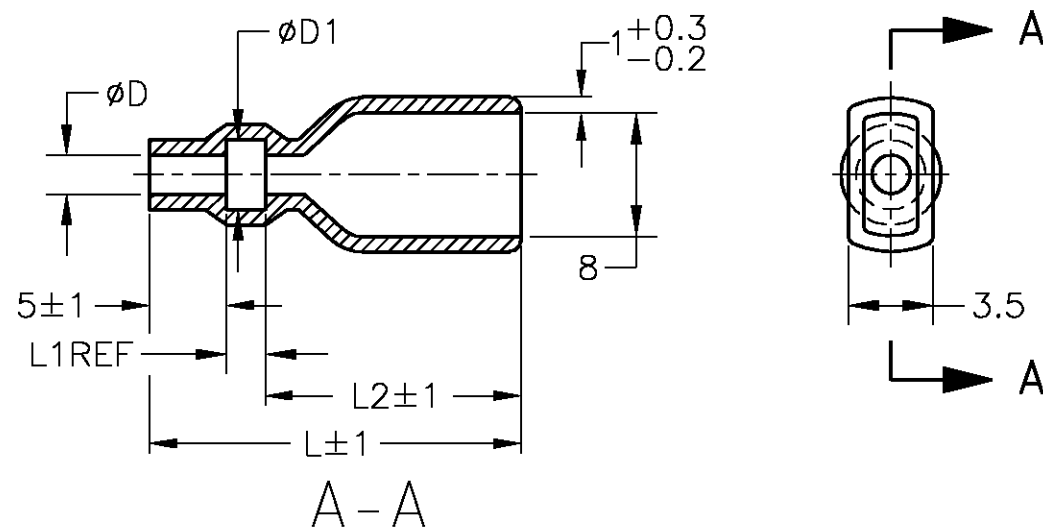
BY TYCO ELECTRONICS CORPORATION.

THIS DRAWING IS UNPUBLISHED.

COPYRIGHT

DIMENSIONS: 単位：特 MM	DWN	31AUG00	MATERIAL	FINISH
	A. YAMAGUCHI		材料	仕上
TOLERANCES UNLESS OTHERWISE SPECIFIED: 一般公差	CHK	31AUG00	Tyco Electronics AMP K.K. Kawasaki, Japan	
	D. MATSUURA			
0 PLC ± - 1 PLC ± - 2 PLC ± - 3 PLC ± - 4 PLC ± - ANGLES ± -	APVD	31AUG00	NAME	
	K. BETSUI		INSULATION SLEEVE	
PRODUCT SPEC 製品規格	APPLICATION SPEC 取付適用規格	SIZE	CAGE CODE	DRAWING NO
		A4	00779	C-170823
WEIGHT	CUSTOMER DRAWING		RESTRICTED TO	
	SCALE	SHEET	OF	REV
	尺慮 2:1	9	13	E4

LOC	DIST	REVISIONS			DATE	DWN	APVD
J	-	P	LTR	DESCRIPTION			
		E4	SEE 1 OF 13		-	-	-

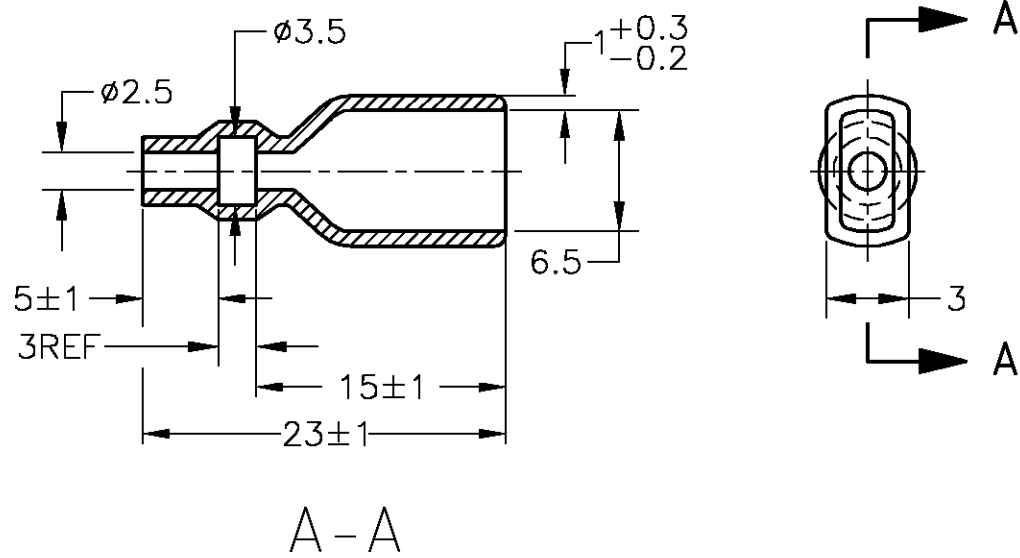


1. 材質：SS-108（一般）
 2. 一般公差：±0.5
 3. 適用製品規格は無し
 - ⚠ 品川商工発行のカタログと本図で寸法が異なる場合は本図を優先する。
1. MATERIAL:SS-108(GENERAL)
 2. GENERAL TOLERANCE: ±0.5
 3. APPLICABLE PRODUCT SPEC NOT AVAILABLE
 - ⚠ IN THE EVENT OF CONFLICT BETWEEN THE REQUIREMENTS OF THIS CUSTOMER DRAWING AND THE SHINAGAWA SHOKO CO LTD CATALOG THIS CUSTOMER DRAWING SHALL TAKE PRECEDENCE

OBSOLETE	YELLOW	24	16.5	2.5	4.5	2.5	238025-2	4-170823-8
OBSOLETE	RED					2.5	238025-1	4-170823-7
OBSOLETE	CLEAR	25	17.5	3	5	4	238040	4-170823-9
OBSOLETE	BROWN						238032-3	3-170823-2
OBSOLETE	BLUE	24.5	16.5	2.5	4.7	3.2	238032-2	3-170823-1
	CLEAR	40	32.5	3	4.5	3.5	238035-3	2-170823-7
		35	27.5			3.5	238035-2	2-170823-0
		27	19.5	2.5	4.7	3.2	238032-1	1-170823-8
		45	37.5	3	3.2	2	238020-1	1-170823-7
		25	17.5	2.5	5.3	3.8	238038	1-170823-6
		27	19.5	3	4.5	3.5	238035	1-170823-5
		25	17.5	2.5	7.5	6	238060	170823-7
		25	17.5		6.3	4.8	238048	170823-6
		24	16.5		4.7	3.2	238032	170823-4
		24	16.5	3	3.2	2	238020	170823-3
			2.5	4.5	2.5	238025	170823-2	
	COLOR	L	L2	L1	$\phi D1$	ϕD	SHINAGAWA SHOKO PN	AMP PN

THIS DRAWING IS A CONTROLLED DOCUMENT.		DWN A. YAMAGUCHI 31AUG00	tyco Tyco Electronics AMP K.K. Kawasaki, Japan	
DIMENSIONS: 単位：mm MM		CHK D. MATSUURA 31AUG02	NAME 名称 INSULATION SLEEVE	
TOLERANCES UNLESS OTHERWISE SPECIFIED: 一般公差		APVD K. BETSUI 31AUG02	PRODUCT SPEC 製品規格	
0 PLC ±- 1 PLC ±- 2 PLC ±- 3 PLC ±- 4 PLC ±- ANGLES ±-		APPLICATION SPEC 取付適用規格		
MATERIAL 材料	FINISH 仕上	WEIGHT	SIZE A3	CAGE CODE 00779
CUSTOMER DRAWING		DRAWING NO 番号 C-170823	RESTRICTED TO	SCALE 尺度 2:1
		SHEET 10 OF 13	REV E4	

LOC	DIST	REVISIONS					
J	—	P	LTR	DESCRIPTION	DATE	DWN	APVD
		E4		SEE 1 OF 13	—	—	—



1. 材質：SS-108 (一般)
2. 一般公差：±0.5
3. 適用製品規格は無し
- △ 品川商工発行のカタログと本図で寸法が異なる場合は本図を優先する。
5. この製品の名称はコネクタスリーブ AMP205シリーズ

1. MATERIAL:SS-108(GENERAL)
2. GENERAL TOLERANCE: ±0.5
3. APPLICABLE PRODUCT SPEC NOT AVAILABLE
- △ IN THE EVENT OF CONFLICT BETWEEN THE REQUIREMENTS OF THIS CUSTOMER DRAWING AND THE SHINAGAWA SHOKO CO LTD CATALOG THIS CUSTOMER DRAWING SHALL TAKE PRECEDENCE
5. THIS PRODUCT NAME FLAG TYPE CONNECT SLEEVE AMP205 SERIES

CLEAR	236525	4-170823-1
COLOR	△ SHINAGAWA SHOKO PN	AMP PN

RELEASED FOR PUBLICATION

ALL RIGHTS RESERVED.

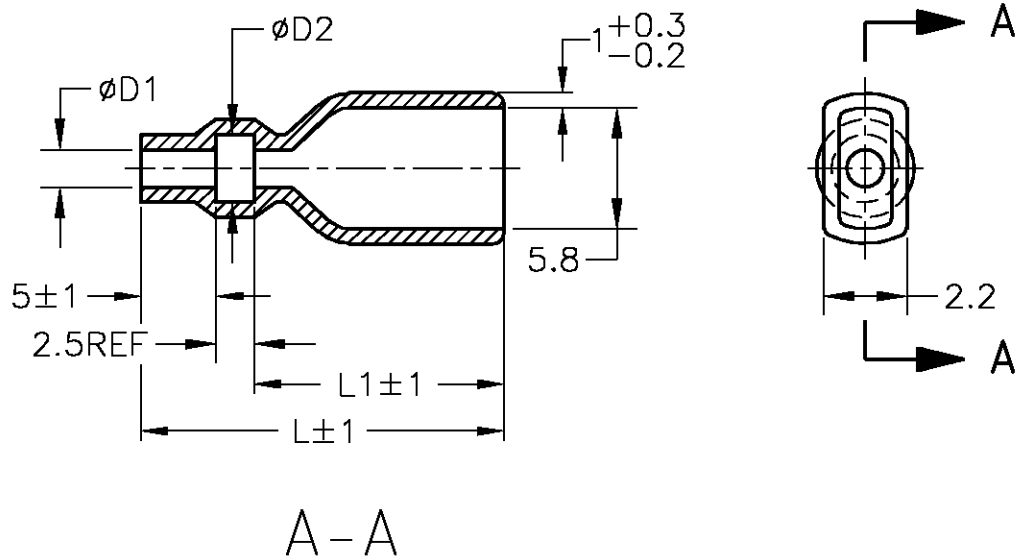
BY TYCO ELECTRONICS CORPORATION.

THIS DRAWING IS UNPUBLISHED.

COPYRIGHT

DIMENSIONS: 単位： 特 MM	DWN	31AUG00	MATERIAL	FINISH
	A. YAMAGUCHI		材料	仕上
	CHK	31AUG00	tyco Tyco Electronics AMP K.K. Electronics Kawasaki, Japan	
	D. MATSUURA			
TOLERANCES UNLESS OTHERWISE SPECIFIED: 一般公差	APVD	31AUG00	NAME	
0 PLC ± -	K. BETSUI		INSULATION SLEEVE	
1 PLC ± -	PRODUCT SPEC		SIZE	CAGE CODE
2 PLC ± -	製品規格		A4	00779
3 PLC ± -	APPLICATION SPEC		DRAWING NO	RESTRICTED TO
4 PLC ± -	取付適用規格		C-170823	—
ANGLES ± -	WEIGHT		SCALE	
			尺度 2:1	
CUSTOMER DRAWING		SHEET	11	OF 13
		REV	E4	

LOC	DIST	REVISIONS 変更					
J	-	P	LTR	DESCRIPTION	DATE	DWN	APVD
		E4		SEE 1 OF 13	-	-	-



1. 材質：SS-108（一般）
2. 一般公差：±0.5
3. 適用製品規格は無し
- △ 品川商工発行のカタログと本図で寸法が異なる場合は本図を優先する。
5. この製品の名称はコネクタスリーブAMP187シリーズ

1. MATERIAL:SS-108(GENERAL)
2. GENERAL TOLERANCE: ±0.5
3. APPLICABLE PRODUCT SPEC NOT AVAILABLE
- △ IN THE EVENT OF CONFLICT BETWEEN THE REQUIREMENTS OF THIS CUSTOMER DRAWING AND THE SHINAGAWA SHOKO CO LTD CATALOG THIS CUSTOMER DRAWING SHALL TAKE PRECEDENCE
5. THIS PRODUCT NAME FLAG TYPE CONNECT SLEEVE AMP187 SERIES

CLEAR	23	15.5	3.3	1.8	235818	2-170823-5
	20	12.5	3.5	2.5	235825-1	1-170823-4
	23	15.5	3.7	2.2	235822	1-170823-3
COLOR	L	L1	φD2	φD1	SHINAGAWA SHOKO PN	AMP PN

RELEASED FOR PUBLICATION

ALL RIGHTS RESERVED.

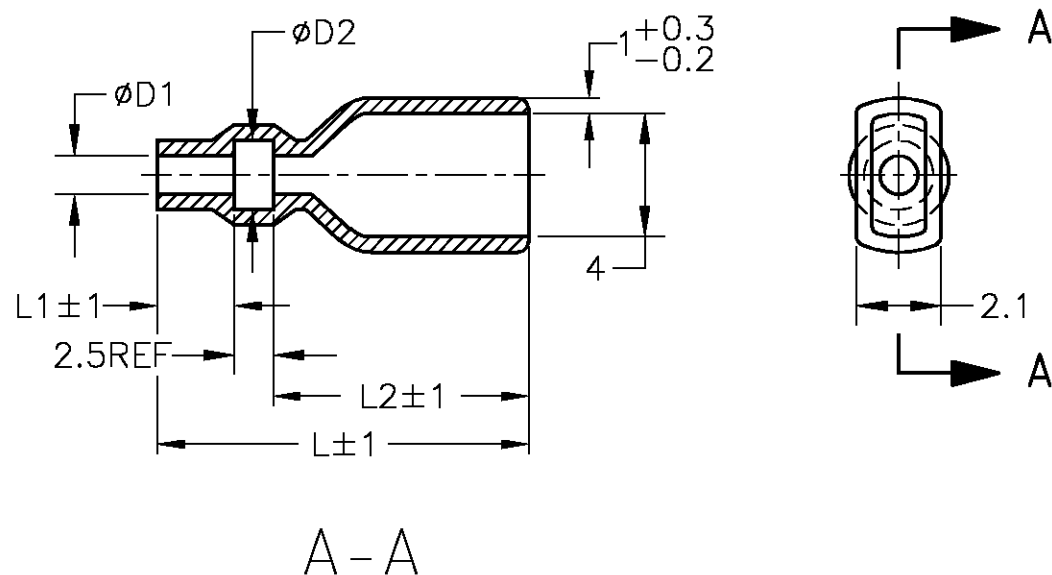
THIS DRAWING IS UNPUBLISHED.

BY TYCO ELECTRONICS CORPORATION.

COPYRIGHT

DIMENSIONS: 単位：特 MM	DWN	31AUG00	MATERIAL	FINISH
	A. YAMAGUCHI		-	仕上 -
TOLERANCES UNLESS OTHERWISE SPECIFIED: 一般公差	CHK	31AUG00	Tyco Electronics AMP K.K. Kawasaki, Japan	
	D. MATSUURA			
0 PLC ± - 1 PLC ± - 2 PLC ± - 3 PLC ± - 4 PLC ± - ANGLES ± -	APVD	31AUG00	NAME	
	K. BETSUI		INSULATION SLEEVE	
PRODUCT SPEC 製品規格	APPLICATION SPEC 取付適用規格	SIZE	CAGE CODE	DRAWING NO
		A4	00779	C-170823
WEIGHT	CUSTOMER DRAWING		SCALE 尺度	SHEET
			2:1	12 OF 13
				REV E4

LOC	DIST	REVISIONS			DATE	DWN	APVD
J	-	P	LTR	DESCRIPTION	-	-	-
		E4	SEE 1 OF 13				



- 1. 材質：SS-108（一般）
- 2. 一般公差：±0.5
- 3. 適用製品規格は無し
- △ 品川商工発行のカタログと本図で寸法が異なる場合は本図を優先する。

- 1. MATERIAL:SS-108(GENERAL)
- 2. GENERAL TOLERANCE: ±0.5
- 3. APPLICABLE PRODUCT SPEC NOT AVAILABLE
- △ IN THE EVENT OF CONFLICT BETWEEN THE REQUIREMENTS OF THIS CUSTOMER DRAWING AND THE SHINAGAWA SHOKO CO LTD CATALOG THIS CUSTOMER DRAWING SHALL TAKE PRECEDENCE

OBSOLETE	CLEAR	37	29.5	5	3.5	2.5	234025-4	5-170823-4
	YELLOW	21	13.5		4.3	2.8	234028	5-170823-3
RED	3.5				2.5	234025-3	4-170823-6	
OBSOLETE	BLACK	23	15.5		3.3	1.8	234018-4	2-170823-4
OBSOLETE	CLEAR				30	22.5	3.5	2.5
		23	15.5		3.8	3	234030-1	2-170823-2
		21	13.5		3.4	1.8	234018-2	1-170823-2
					234018-1	1-170823-1		
		3.8	3		234030	1-170823-0		
		3.3	1.8		234018	170823-9		
18	12.5	3	3.4	1.6	234016	170823-8		
21	13.5	5	3.5	2.5	234025	170823-1		
COLOR	L	L2	L1	$\phi d2$	$\phi d1$	SHINAGAWA SHOKO PN	AMP PN	

THIS DRAWING IS A CONTROLLED DOCUMENT.		DWN A. YAMAGUCHI 31AUG00	Tyco Electronics AMP K.K. Kawasaki, Japan	
DIMENSIONS: 単位：mm MM		CHK D. MATSUURA 31AUG02	NAME 名称	
TOLERANCES UNLESS OTHERWISE SPECIFIED: 一般公差		APVD K. BETSUI 31AUG02	INSULATION SLEEVE	
0 PLC ±- 1 PLC ±- 2 PLC ±- 3 PLC ±- 4 PLC ±- ANGLES ±-		PRODUCT SPEC 製品規格	SIZE	
MATERIAL 材料		APPLICATION SPEC 取付適用規格	CAGE CODE	DRAWING NO 番号
FINISH 仕上		WEIGHT	A3 00779	C-170823
CUSTOMER DRAWING		SCALE 尺度	2:1	SHEET 13 OF 13
		REV	E4	RESTRICTED TO