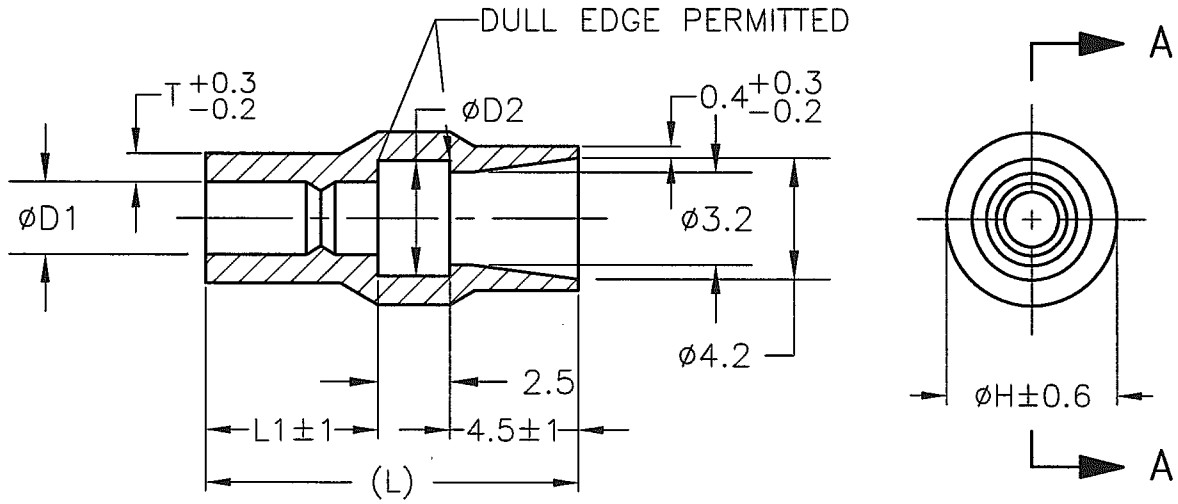


LOC	DIST	REVISIONS						
		P	LTR	DESCRIPTION	ECN	DATE	DWN	APVD
J	-		B1	REDRAWN W/CHANGE	FJ00-1162-00	31 AUG 00	AY	KB
			C	REVISED	ECR-05-010725	09SEP05	T.H	N.Y



1. 材質：SS-108（一般）
2. 一般公差：±0.5
3. 適用製品規格は無し
- △ 品川商工発行のカタログと本図で寸法が異なる場合は本図を優先する。

1. MATERIAL:SS-108(GENERAL)
2. GENERAL TOLERANCE: ±0.5
3. APPLICABLE PRODUCT SPEC NOT AVAILABLE
- △ IN THE EVENT OF CONFLICT BETWEEN THE REQUIREMENTS OF THIS CUSTOMER DRAWING AND THE SHINAGAWA SHOKO CO LTD CATALOG THIS CUSTOMER DRAWING SHALL TAKE PRECEDENCE

A-A

X-170892-X	SEE 170892
X-170893-X	SEE 170893
X-170889-X	SEE 170889
X-170888-X	SEE 170888
X-170890-X	SEE 170890
X-170891-X	SEE 170891
X-170823-X	SEE 170823
AMP PN	REMARK

CLEAR	14	7	4.5	1.5	0.6	5.9	224215	170887-5
	13	6		3.5	0.7		224235	170887-4
	14	7	3.2	224232		170887-3		
	13	6	4	2.5		5.4	224225B	170887-2
224225				170887-1				
COLOR	L	L1	φ D2	φ D1	T	H	SHINAGAWA SHOKO PN	AMP PN

WIRE RANGE 抱合電線断面積	INSULATION DIA 被覆外径
-----------------------	------------------------

DIMENSIONS: 単位： 耗 MM	DWN	31 AUG 00	MATERIAL	FINISH
	A.YAMAGUCHI		-	
TOLERANCES UNLESS OTHERWISE SPECIFIED: 一般公差	CHK	31 AUG 00	Tyco Electronics AMP K.K. Kawasaki, Japan	
	D.MATSUURA			
0 PLG ± 1 PLG ± 2 PLG ± 3 PLG ± 4 PLG ± ANGLES ± -	APVD	31 AUG 00	NAME 名称 CONNECT SLEEVE FOR 5DIA SERIES SHUR PLUG RECEPTACLE	
	K.BETSUI			
WEIGHT	PRODUCT SPEC	SIZE CAGE CODE DRAWING NO A4 00779 C-170887		
	製品規格			
CUSTOMER DRAWING	APPLICATION SPEC	RESTRICTED TO -		
	取付適用規格			
SCALE 尺度 4:1		SHEET 1 OF 1	REV C	