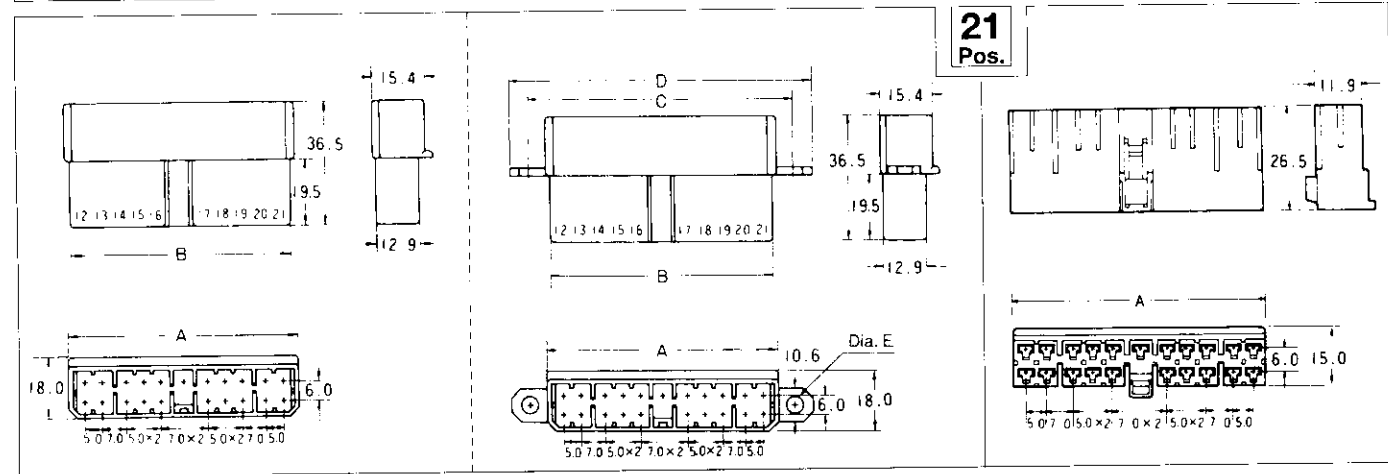
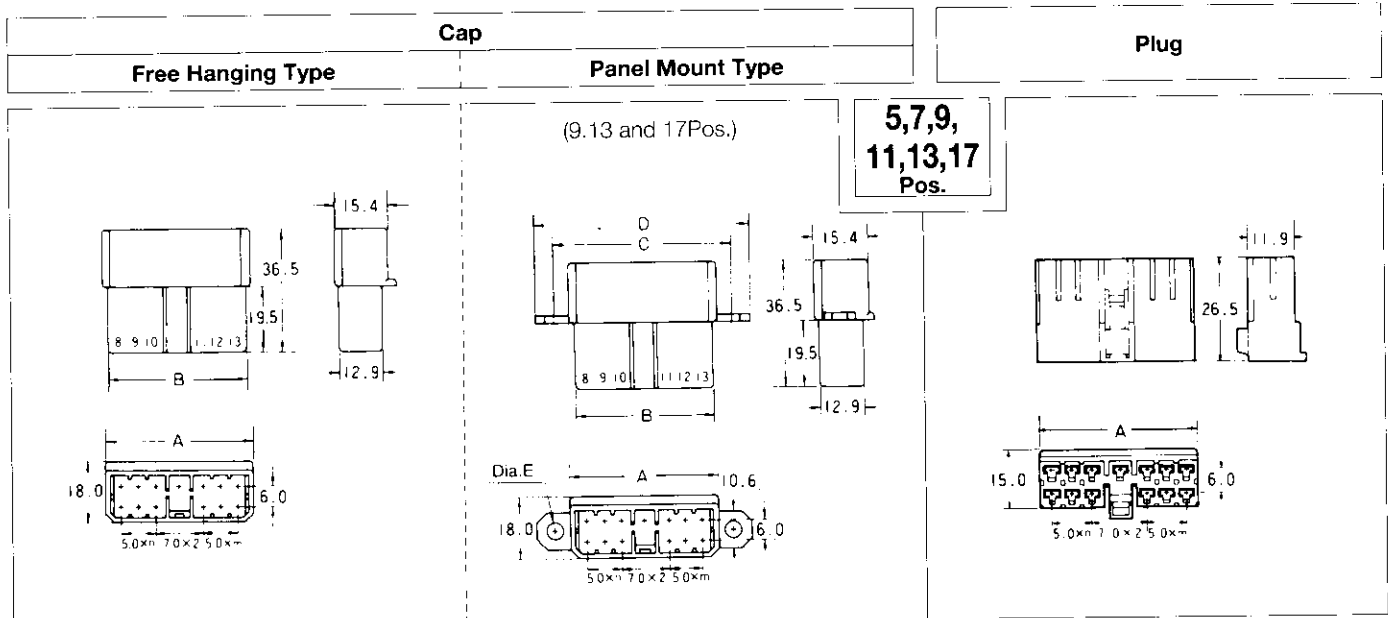


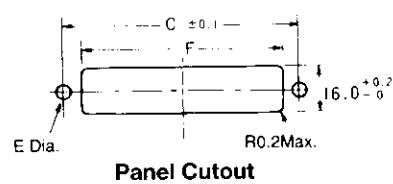
Multiple Interlock Connectors (MIC) Mark I (Wire to Wire Applications)



No. of Pos.	Dimensions					F ^{+0.5} ₋₀	n	m	Part No. of Cap	
	A	B	C	D	E				Free Hanging	Panel Mount
5	23.6	20.0	—	—	—	—	—	—	172044-1	—
7	28.6	25.0	—	—	—	—	1	—	172043-1	—
9	33.6	30.0	42.0	50.0	4.5	34.0	1	1	172042-1	172096-1
11	38.6	35.0	—	—	—	39.0	2	1	172041-1	—
13	43.6	40.0	53.0	63.0	5.5	44.0	2	2	171725-1	172347-1
17	53.6	50.0	63.0	73.0	5.5	54.0	3	3	171827-1	171828-1
21	67.6	64.0	77.0	87.0	5.5	68.0	See figure	—	171829-1	171830-1

No. of Pos.	Dimensions			Part No. of Plug
	A	n	m	
5	20.1	—	—	172026-1
7	25.1	—	1	172025-1
9	30.1	1	1	171892-1
11	35.1	1	2	172024-1
13	40.1	2	2	171358-1
17	50.1	3	3	171354-1
21	64.1	See figure	—	171364-1

Note: The dimensions of C, D, E and F are applicable to the cap housings of panel mount type.



*The material of housing is 66 nylon.
*The color of housing is natural. For other color, contact our Sales Department.